

Job Name: 25-4627 - 865800 Simpsonville Elementary School  
 Job Location: Simpsonville, KY  
 Contractor: Contech Engineering Solutions

Plant: Beaver Dam

12/9/2025 3:17:10 PM

Tech: J. Coppage

PC: T. Sekula



**Structure ID: 10-CS-4**

**P3 MH048RSVF**

**MH RISER Custom Ht**

- P5) 24" x 24" - CASTING HEIGHT - 5"
- P4) 48" - MH FLAT TOP w/24"x24" Hole - 12"
- P3) 48" - MH RISER Custom Ht - 14"
- P2) 48" - MH RISER NO STEPS - 60"
- P1) 48" - MH BASE Custom Ht - 18"
- 1) ASSEMBLY REQUIRED
- 1) CVSTENCILING
- 3) 48" - Conseal CS-102 1.00"
- 1) 24" x 24" - Conseal CS-102 1.00"
- 2) Hole - 24

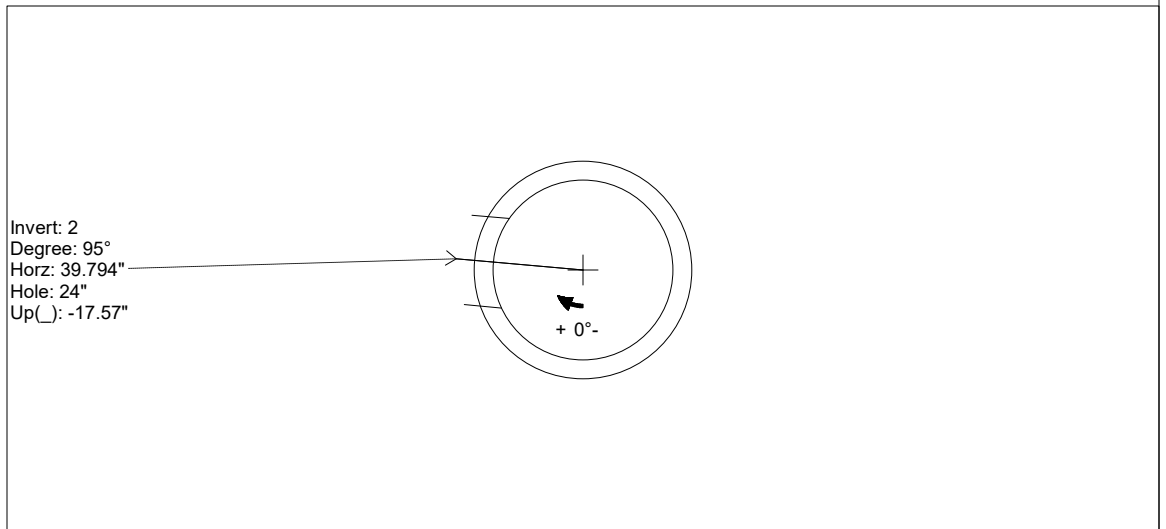
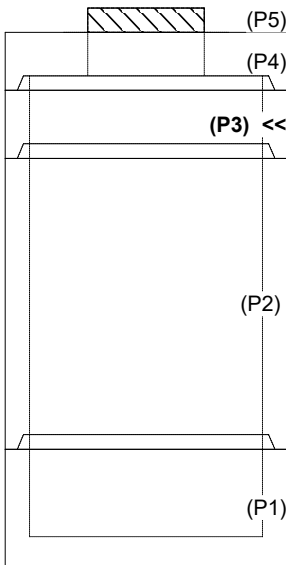
0 lb Structure Notes:  
 1500 lb (5" TALL CASTING PROVIDED BY OTHERS)  
 893 lb  
 3882 lb LIFTING ANCHORS TO BE INSTALLED  
 2588 lb ON THE OUTSIDE OF THE STRUCTURE  
 0 lb ICAST TO INSTALL THE INTERNALS  
 0 lb  
 0 lb CONTECH'S LOGO AS WELL AS THE  
 0 lb INLET AND THE OUTLET MUST BE  
 0 lb STENCILED ONTO THE STRUCTURE.  
 Structure Total: 8863 lb

**\*\*STYROFOAM KO TO REMAIN IN PLACE UNTIL RISER IS INSTALLED AT JOB SITE\*\***

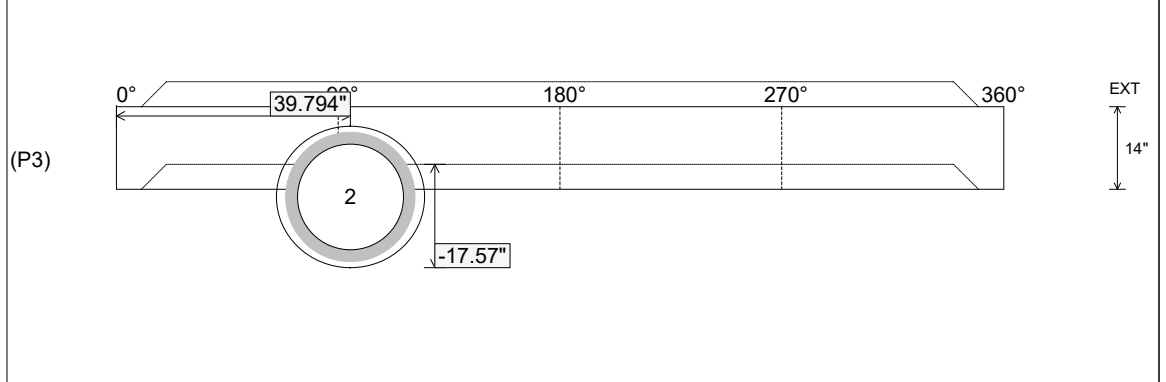
Rim: 778.52' Rim to Invert: 4.89' Slack: 0.68" Sump: 51" Step Position:

Position	Elev	Angle	Ext. (cw)	Pipe	Pipe OD	Connector	Hole	Horz Size	Up ( )	Offset
Invert 1										
Invert 2	775.02'	95°	48.084"	18" ADS N-12	22"	Hole 24	24"	25.133"	-17.57"	0"
Invert 3										
Invert 4										
Invert 5										
Invert 6										
Invert 7										
Invert 8										

**RIGHT-SIDE UP VIEW (int. dimensions)**



**INSIDE WALL DIMENSIONS**



Coating (Int): Coating (Ext):	Seam Up: Tongue Seam Dn: Groove	Wall Thickness: 5" Floor Height: 0"	Height (Int): 14" Height (Ext): 14"	Weight (Net): 893 lb Volume (Net): 0.23cu.yd
----------------------------------	------------------------------------	--	--	---