

Job Name: 25-4627 - 865800 Simpsonville Elementary School
 Job Location: Simpsonville, KY
 Contractor: Contech Engineering Solutions

Plant: Beaver Dam

12/9/2025 3:17:09 PM

Tech: J. Coppage

PC: T. Sekula



Structure ID: 10-CS-4

P2 MH048RS60S

MH RISER NO STEPS

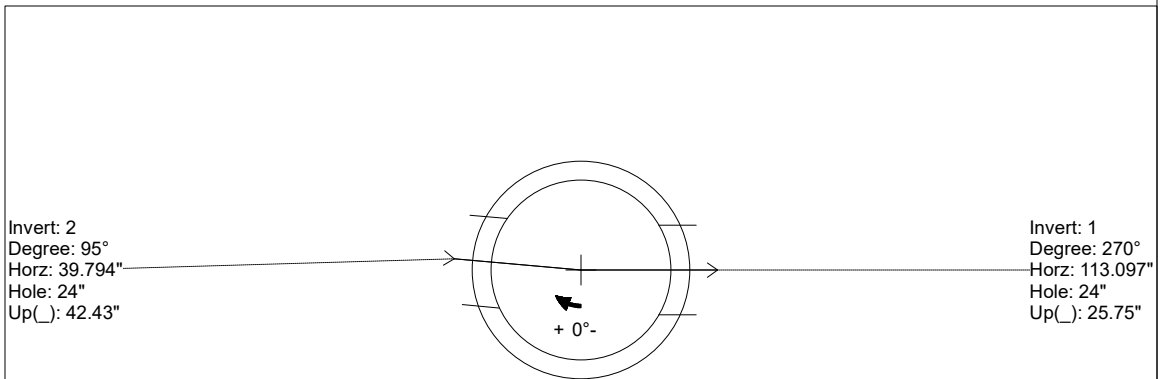
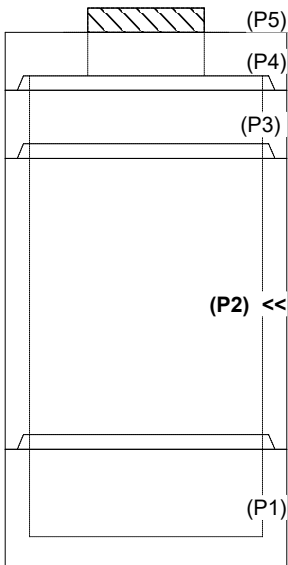
- P5) 24" x 24" - CASTING HEIGHT - 5"
- P4) 48" - MH FLAT TOP w/24"x24" Hole - 12"
- P3) 48" - MH RISER Custom Ht - 14"
- P2) 48" - MH RISER NO STEPS - 60"
- P1) 48" - MH BASE Custom Ht - 18"
- 1) ASSEMBLY REQUIRED
- 1) CVSTENCILING
- 3) 48" - Conseal CS-102 1.00"
- 1) 24" x 24" - Conseal CS-102 1.00"
- 2) Hole - 24

0 lb Structure Notes:
 1500 lb (5" TALL CASTING PROVIDED BY OTHERS)
 893 lb
 3882 lb LIFTING ANCHORS TO BE INSTALLED
 2588 lb ON THE OUTSIDE OF THE STRUCTURE
 0 lb ICAST TO INSTALL THE INTERNALS
 0 lb
 0 lb CONTECH'S LOGO AS WELL AS THE
 0 lb INLET AND THE OUTLET MUST BE
 0 lb STENCILED ONTO THE STRUCTURE.
 Structure Total: 8863 lb

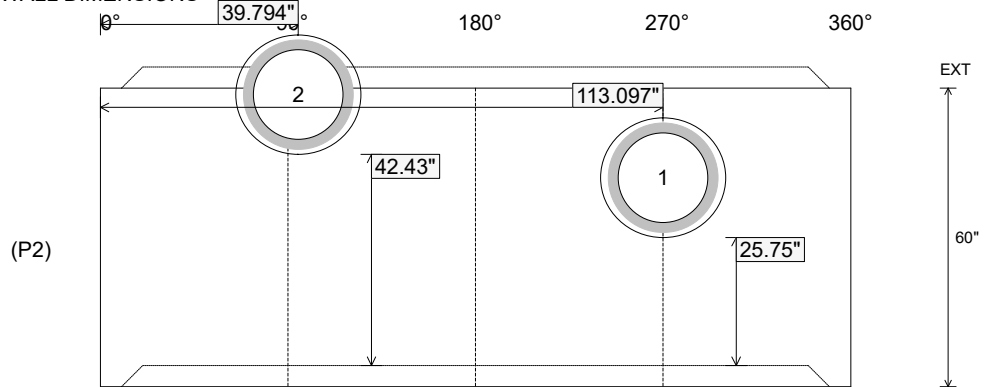
Rim: 778.52' Rim to Invert: 4.89' Slack: 0.68" Sump: 51" Step Position:

Position	Elev	Angle	Ext. (cw)	Pipe	Pipe OD	Connector	Hole	Horz Size	Up (")	Offset
Invert 1	773.63'	270°	136.659"	18" ADS N-12	22"	Hole 24	24"	25.133"	25.75"	0"
Invert 2	775.02'	95°	48.084"	18" ADS N-12	22"	Hole 24	24"	25.133"	42.43"	0"
Invert 3										
Invert 4										
Invert 5										
Invert 6										
Invert 7										
Invert 8										

RIGHT-SIDE UP VIEW (int. dimensions)



INSIDE WALL DIMENSIONS



Coating (Int):
 Coating (Ext):

Seam Up: Tongue
 Seam Dn: Groove

Wall Thickness: 5"
 Floor Height: 0"

Height (Int): 60"
 Height (Ext): 60"

Weight (Net): 3882 lb
 Volume (Net): 0.99cu.yd