

Job Name: 25-4623 Bergdolt & Oak Hill Rd Sanitary Sewer Replacement  
 Job Location: Evansville, IN  
 Contractor: Deig Bros Lumber & Construction Co, Inc.

Plant: 100

3/6/2026 2:16:03 PM

Tech: J. Horsley

PC: A. Chambers



**Structure ID: Str. 306 (6)**

**P1 MH048BA60CDARED**

**MH BASE w/DROP/ConBlock-CDA Red T/n**

- P3) 24" - CASTING HEIGHT - 7"
- P2) 48" - ECC CONE w/ 24" HOLE, w/ConBlock-CDA Red F/G - 42"
- P1) 48" - MH BASE w/DROP/ConBlock-CDA Red T/n - 60"
- 1) 48" - MH INVERT CHANNEL w/ConBlock-CDA Red - FULL HEIGHT
- 1) ADMIXTURE CONBLOCK CDA RED
- 1) JOINT WRAP - 0.065"x6"x50' CONSEAL CS212
- 1) JOINT WRAP PRIMER - CONSEAL CS-75 (1 gal.)
- 1) CASTING - HOE MC-315 F/C Sanitary
- 1) 48" - Conseal CS-231 1.00" (Double)
- 1) PSX - 12M NYLO
- 1) Drop Elbow - 8" PVC
- 1) Drop Tee - 8" PVC

0 lb  
 3116 lb  
 5426 lb  
 1440 lb  
 0 lb  
 0 lb  
 0 lb  
 258 lb  
 0 lb  
 8 lb  
 0 lb  
 0 lb

Structure Total: 10248 lb

Structure Notes:

1. PER ASTM C478 SPECIFICATIONS.
2. CONCRETE = 4,000 PSI AT 28 DAYS.
3. ADMIXTURE = CONBLOCK CDA RED.
4. CASTING BY ICAST (HOE MC-315 F/C).
5. 8" EXTERIOR DROP ASSEMBLY AT 180°.
6. NO STEPS.

REINFORCING PER ASTM A615 (GRADE 60).

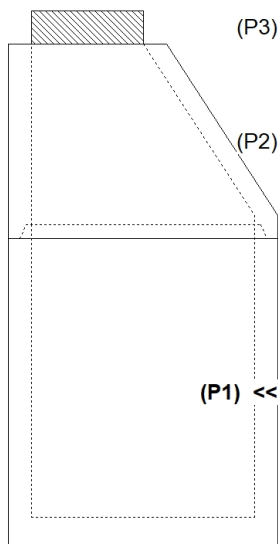
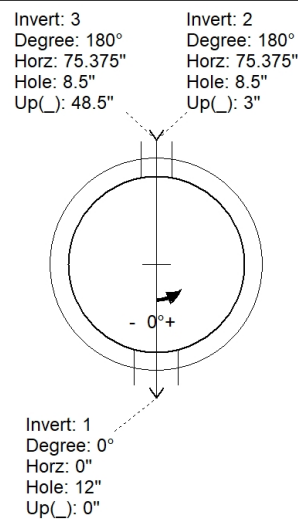
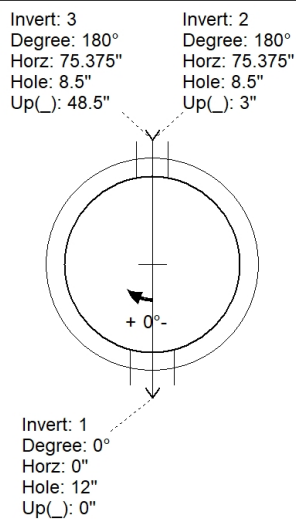
- CONE (As .12)
- RISER/WALLS (As .12)
- FLOOR (As .31) #5 BARS AT 12" C.C.E.W.

Rim: 402.89' Rim to Invert: 8.96' Slack: 0.52" Sump: 2" Step Position:

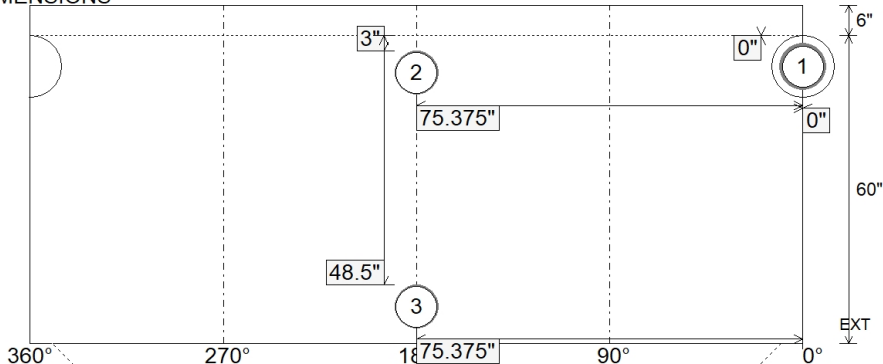
| Position | Elev    | Angle | Ext. (cw) | Pipe         | Pipe OD | Connector         | Hole | Horz Size | Up (↓) | Offset |
|----------|---------|-------|-----------|--------------|---------|-------------------|------|-----------|--------|--------|
| Invert 1 | 393.93' | 0°    | 0"        | 8" PVC C900  | 9.05"   | PSX 12M NYLO      | 12"  | 12.129"   | 0"     | 0"     |
| Invert 2 | 394.03' | 180°  | 91.125"   | 8" PVC SDR35 | 8.5"    | Drop Elbow 8" PVC | 8.5" | 8.545"    | 3"     | 0"     |
| Invert 3 | 397.83' | 180°  | 91.125"   | 8" PVC SDR35 | 8.5"    | Drop Tee 8" PVC   | 8.5" | 8.545"    | 48.5"  | 0"     |
| Invert 4 |         |       |           |              |         |                   |      |           |        |        |
| Invert 5 |         |       |           |              |         |                   |      |           |        |        |
| Invert 6 |         |       |           |              |         |                   |      |           |        |        |
| Invert 7 |         |       |           |              |         |                   |      |           |        |        |
| Invert 8 |         |       |           |              |         |                   |      |           |        |        |

RIGHT-SIDE UP VIEW (int. dimensions)

UPSIDE-DOWN VIEW (int. dimensions)



INSIDE WALL DIMENSIONS



Coating (Int):  
 Coating (Ext):

Seam Up: Tongue  
 Seam Dn: n/a

Wall Thickness: 5"  
 Floor Height: 6"

Height (Int): 60"  
 Height (Ext): 66"

Weight (Net): 5426 lb  
 Volume (Net): 1.39cu.yd

Job Name: 25-4623 Bergdolt & Oak Hill Rd Sanitary Sewer Replacement  
 Job Location: Evansville, IN  
 Contractor: Deig Bros Lumber & Construction Co, Inc.

Plant: 100

3/6/2026 2:16:03 PM

Tech: J. Horsley

PC: A. Chambers



**Structure ID: Str. 306 (6)**

**P1A MH048BA60CDARED**

**MH BASE w/DROP/ConBlock-CDA Red T/n**

- P3) 24" - CASTING HEIGHT - 7" 0 lb
  - P2) 48" - ECC CONE w/ 24" HOLE, w/ConBlock-CDA Red F/G - 42" 3116 lb
  - P1) 48" - MH BASE w/DROP/ConBlock-CDA Red T/n - 60" 5426 lb
  - 1) 48" - MH INVERT CHANNEL w/ConBlock-CDA Red - FULL HEIGHT 1440 lb
  - 1) ADMIXTURE CONBLOCK CDA RED 0 lb
  - 1) JOINT WRAP - 0.065"x6"x50' CONSEAL CS212 0 lb
  - 1) JOINT WRAP PRIMER - CONSEAL CS-75 (1 gal.) 0 lb
  - 1) CASTING - HOE MC-315 F/C Sanitary 258 lb
  - 1) 48" - Conseal CS-231 1.00" (Double) 0 lb
  - 1) PSX - 12M NYLO 8 lb
  - 1) Drop Elbow - 8" PVC 0 lb
  - 1) Drop Tee - 8" PVC 0 lb
- Structure Total: 10248 lb

**Structure Notes:**

1. PER ASTM C478 SPECIFICATIONS.
2. CONCRETE = 4,000 PSI AT 28 DAYS.
3. ADMIXTURE = CONBLOCK CDA RED.
4. CASTING BY ICAST (HOE MC-315 F/C).
5. 8" EXTERIOR DROP ASSEMBLY AT 180°.
6. NO STEPS.

REINFORCING PER ASTM A615 (GRADE 60).

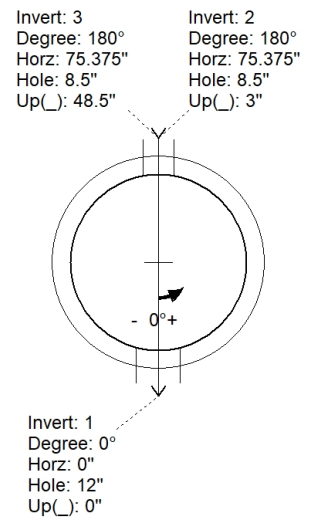
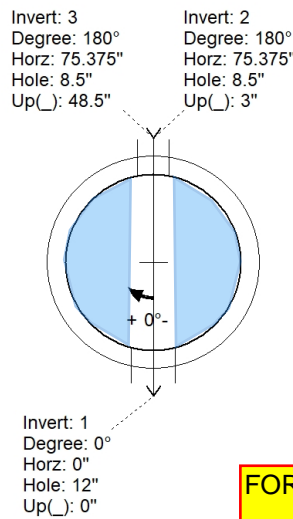
- CONE (As .12)
- RISER/WALLS (As .12)
- FLOOR (As .31) #5 BARS AT 12" C.C.E.W.

Rim: 402.89'    Rim to Invert: 8.96'    Slack: 0.52"    Sump: 2"    Step Position:

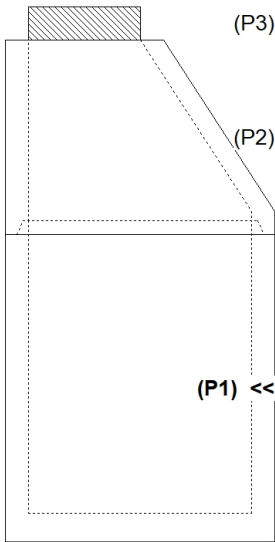
| Position | Elev    | Angle | Ext. (cw) | Pipe         | Pipe OD | Connector         | Hole | Horz Size | Up (↓) | Offset |
|----------|---------|-------|-----------|--------------|---------|-------------------|------|-----------|--------|--------|
| Invert 1 | 393.93' | 0°    | 0"        | 8" PVC C900  | 9.05"   | PSX 12M NYLO      | 12"  | 12.129"   | 0"     | 0"     |
| Invert 2 | 394.03' | 180°  | 91.125"   | 8" PVC SDR35 | 8.5"    | Drop Elbow 8" PVC | 8.5" | 8.545"    | 3"     | 0"     |
| Invert 3 | 397.83' | 180°  | 91.125"   | 8" PVC SDR35 | 8.5"    | Drop Tee 8" PVC   | 8.5" | 8.545"    | 48.5"  | 0"     |
| Invert 4 |         |       |           |              |         |                   |      |           |        |        |
| Invert 5 |         |       |           |              |         |                   |      |           |        |        |
| Invert 6 |         |       |           |              |         |                   |      |           |        |        |
| Invert 7 |         |       |           |              |         |                   |      |           |        |        |
| Invert 8 |         |       |           |              |         |                   |      |           |        |        |

RIGHT-SIDE UP VIEW (int. dimensions)

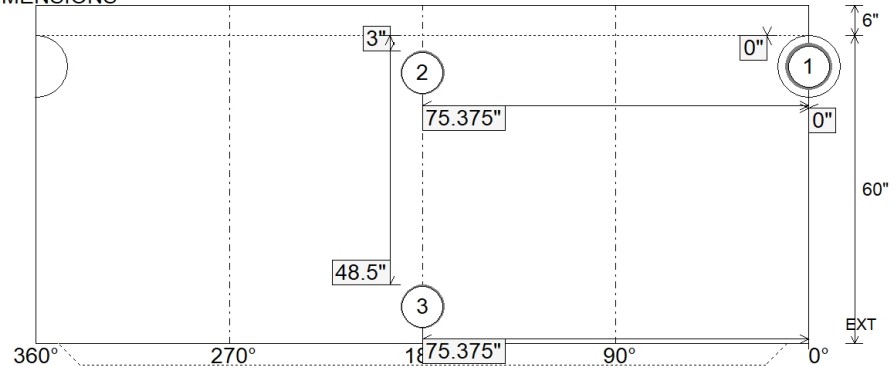
UPSIDE-DOWN VIEW (int. dimensions)



FOR INVERT ONLY



INSIDE WALL DIMENSIONS



|                                  |                                 |  |  |  |
|----------------------------------|---------------------------------|--|--|--|
| Coating (Int):<br>Coating (Ext): | Seam Up: Tongue<br>Seam Dn: n/a | Wall Thickness: 5"<br>Floor Height: 6" | Height (Int): 60"<br>Height (Ext): 66" | Weight (Net): 5426 lb<br>Volume (Net): 1.39cu.yd |
|----------------------------------|---------------------------------|--|--|--|