

**Job Name: 25-4623 Bergdolt & Oak Hill Rd Sanitary Sewer Replacement**  
**Job Location: Evansville, IN**  
**Contractor: Deig Bros Lumber & Construction Co, Inc.**

PC: A. Chambers  
 TECH: J. Horsley  
 Plant: 100



Structure ID: **Str. 203 (5)**

Spec: Sanitary  
 Type: SAN.MH w/Ext. Drop/ConBlock-CDA Red  
 Size: 48"

Rim: 411.42'  
 Invert: 396.81'  
 Rim to Invert: 14.61'

Sump: 2"  
 Floor (Top): 396.643'  
 Floor Height: 6"

Floor (Bot): 396.143'  
 Overall Height: 15.083'  
 Slack: 2.32"

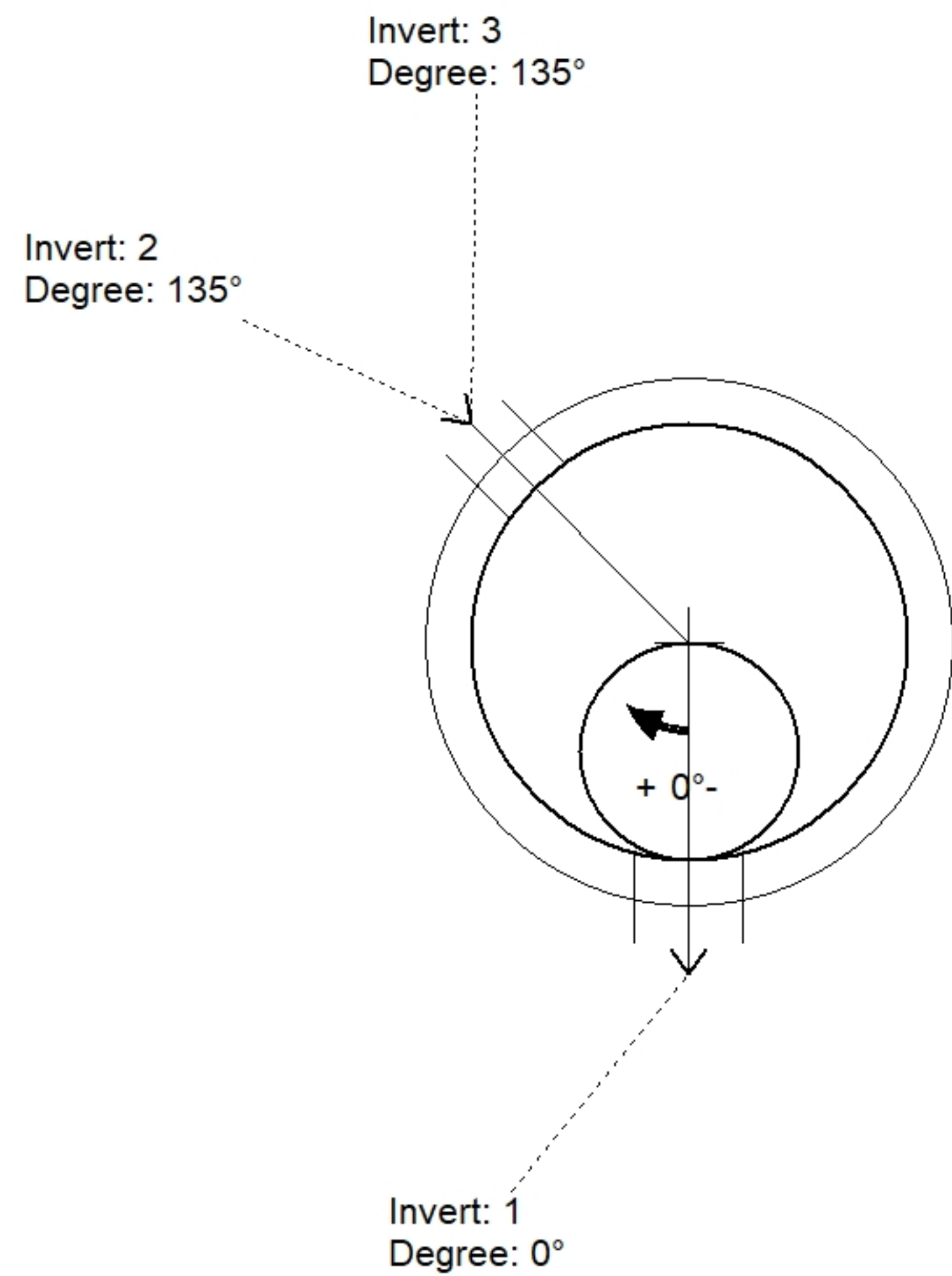
**Structure Notes:**

1. PER ASTM C478 SPECIFICATIONS.
2. CONCRETE = 4,000 PSI AT 28 DAYS.
3. ADMIXTURE = CONBLOCK CDA RED.
4. CASTING BY ICAST (HOE MC-315 F/C).
5. 8" EXTERIOR DROP ASSEMBLY AT 135°.
6. NO STEPS.

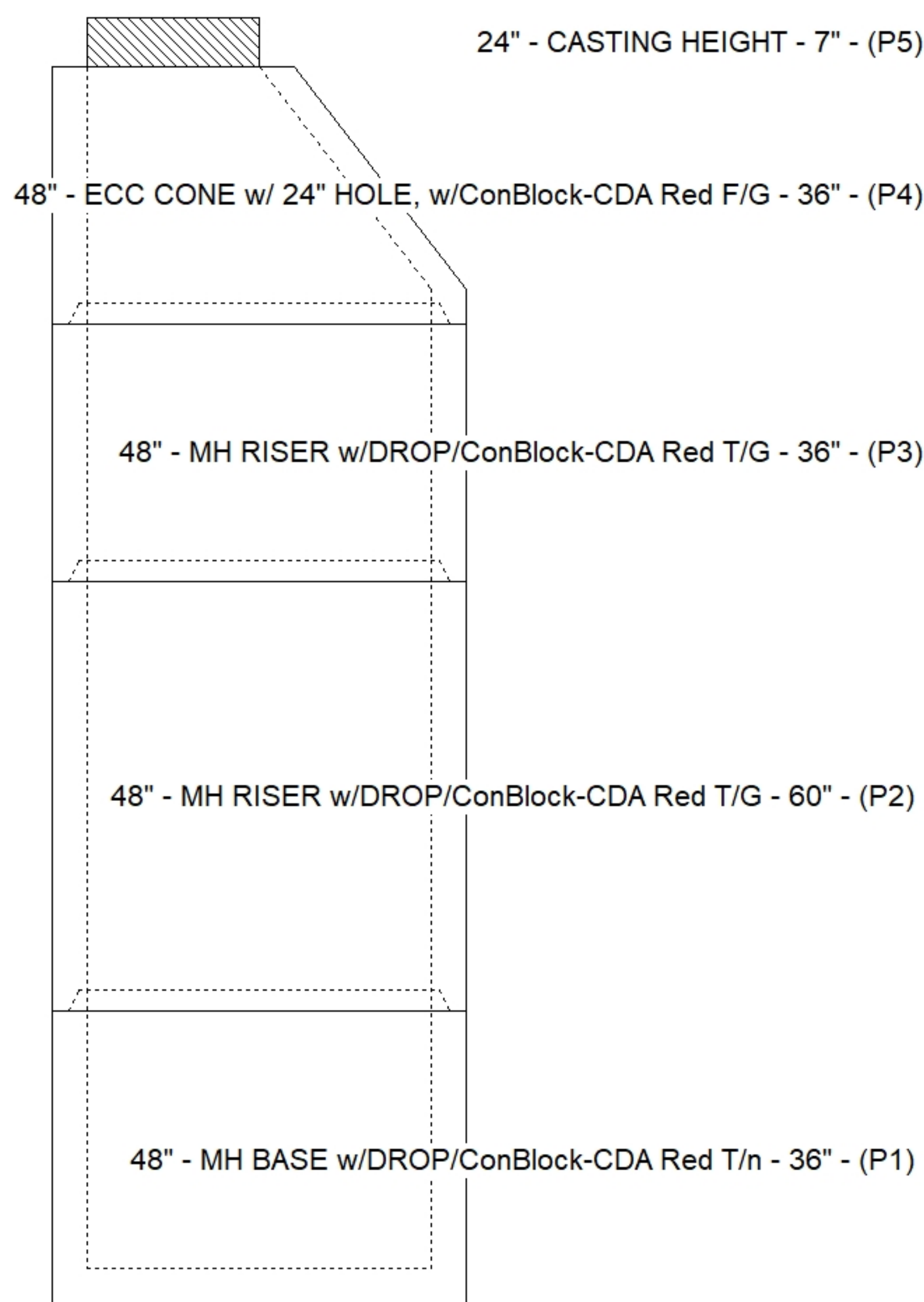
REINFORCING PER ASTM A615 (GRADE 60).  
 - CONE (As .12)  
 - RISER/WALLS (As .12)  
 - FLOOR (As .31) #5 BARS AT 12" C.C.E.W.

**STRUCTURE SUMMARY:**

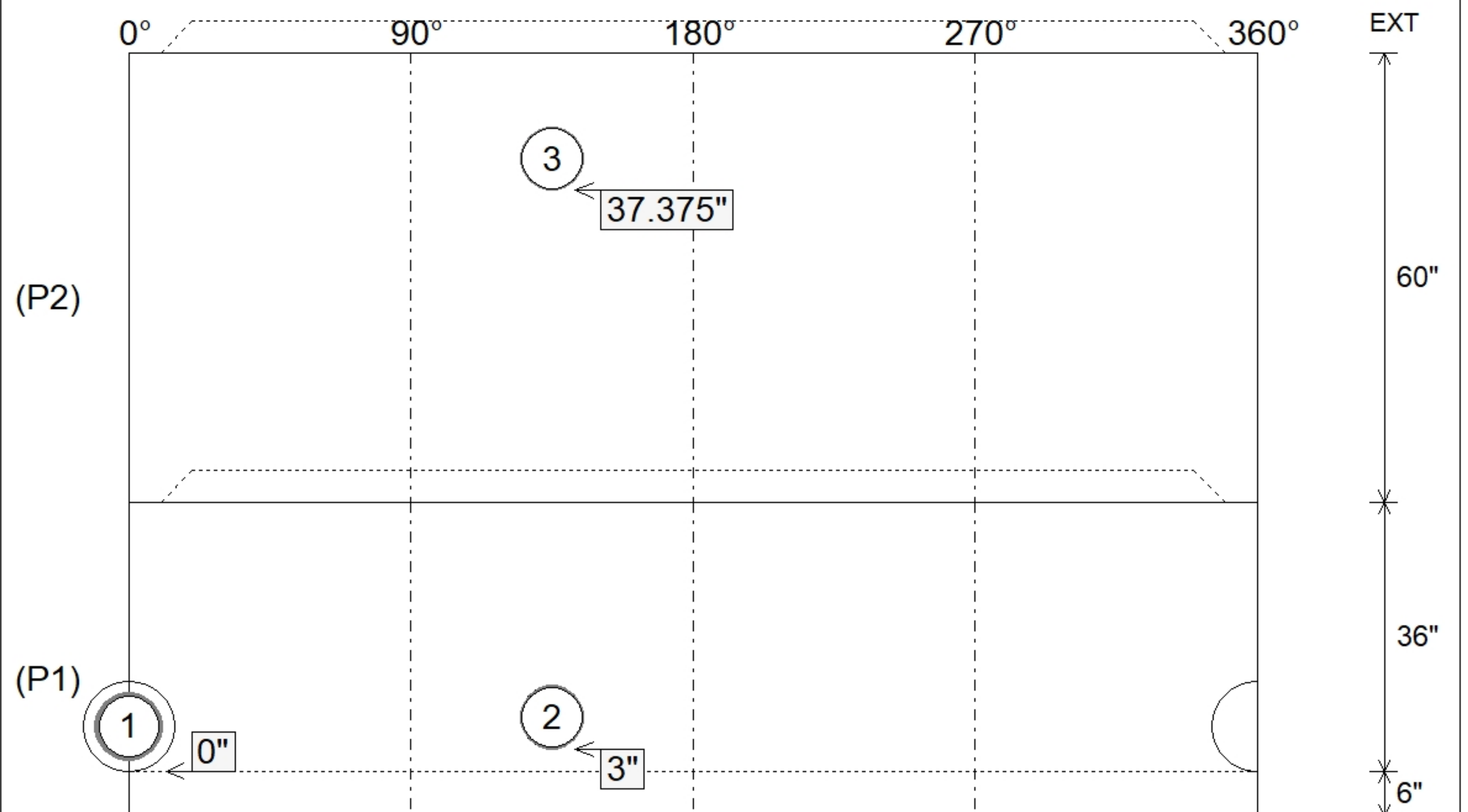
P5) 24" - CASTING HEIGHT - 7"	0 lb
P4) 48" - ECC CONE w/ 24" HOLE, w/ConBlock-CDA Red F/G - 36"	2251 lb
P3) 48" - MH RISER w/DROP/ConBlock-CDA Red T/G - 36"	2515 lb
P2) 48" - MH RISER w/DROP/ConBlock-CDA Red T/G - 60"	4168 lb
P1) 48" - MH BASE w/DROP/ConBlock-CDA Red T/n - 36"	3773 lb
1) 48" - MH INVERT CHANNEL w/ConBlock-CDA Red - FULL HEIGHT	1440 lb
1) ADMIXTURE CONBLOCK CDA RED	0 lb
1) JOINT WRAP - 0.065"x6"x50' CONSEAL CS212	0 lb
1) JOINT WRAP PRIMER - CONSEAL CS-75 (1 gal.)	0 lb
1) CASTING - HOE MC-315 F/C Sanitary	258 lb
3) 48" - Conseal CS-231 1.00" (Double)	0 lb
1) PSX - 12M NYLO	8 lb
1) Drop Elbow - 8" PVC	0 lb
1) Drop Tee - 8" PVC	0 lb
<b>Structure Total:</b>	<b>14413 lb</b>



Position	Elev	Angle	Pipe	Pipe OD	Hole	Connector	Up (")	Ref
Rim	411.42'							
Reducer								
Invert 1	396.81'	0°	8" PVC C900	9.05"	12"	PSX 12M NYLO	0"	P1
Invert 2	396.91'	135°	8" PVC SDR35	8.5"	8.5"	Drop Elbow 8" PVC	3"	P1
Invert 3	403.13'	135°	8" PVC SDR35	8.5"	8.5"	Drop Tee 8" PVC	37.375"	P2
Invert 4								
Invert 5								
Invert 6								
Invert 7								
Invert 8								



**Cast (Int. Dim.) - Interior Dimensions**



Submittal Drawing  
 3/6/2026 2:15:35 PM

SUBMITTAL  
 APPROVED BY: