

Job Name: 25-4623 Bergdolt & Oak Hill Rd Sanitary Sewer Replacement	Plant: 100	Tech: J. Horsley	
Job Location: Evansville, IN Contractor: Deig Bros Lumber & Construction Co, Inc.	3/6/2026 2:16:30 PM	PC: A. Chambers	

Structure ID: Str. 203 (5)

P2 MH048RS60SCDARED

MH RISER w/DROP/ConBlock-CDA Red T/G

P5) 24" - CASTING HEIGHT - 7"	0 lb
P4) 48" - ECC CONE w/ 24" HOLE, w/ConBlock-CDA Red F/G - 36"	2251 lb
P3) 48" - MH RISER w/DROP/ConBlock-CDA Red T/G - 36"	2515 lb
P2) 48" - MH RISER w/DROP/ConBlock-CDA Red T/G - 60"	4168 lb
P1) 48" - MH BASE w/DROP/ConBlock-CDA Red T/n - 36"	3773 lb
1) 48" - MH INVERT CHANNEL w/ConBlock-CDA Red - FULL HEIGHT	1440 lb
1) ADMIXTURE CONBLOCK CDA RED	0 lb
1) JOINT WRAP - 0.065"x6"x50' CONSEAL CS212	0 lb
1) JOINT WRAP PRIMER - CONSEAL CS-75 (1 gal.)	0 lb
1) CASTING - HOE MC-315 F/C Sanitary	258 lb
3) 48" - Conseal CS-231 1.00" (Double)	0 lb
1) PSX - 12M NYLO	8 lb
1) Drop Elbow - 8" PVC	0 lb
1) Drop Tee - 8" PVC	0 lb
Structure Total:	14413 lb

Structure Notes:

- PER ASTM C478 SPECIFICATIONS.
- CONCRETE = 4,000 PSI AT 28 DAYS.
- ADMIXTURE = CONBLOCK CDA RED.
- CASTING BY ICAST (HOE MC-315 F/C).
- 8" EXTERIOR DROP ASSEMBLY AT 135°.
- NO STEPS.

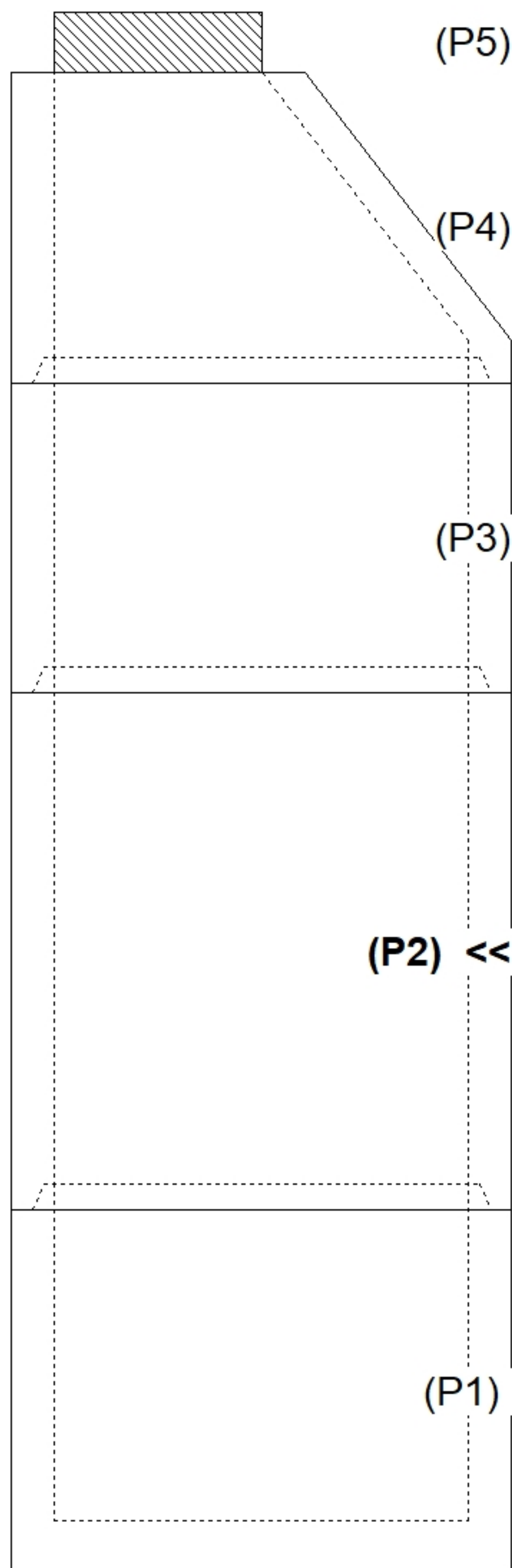
REINFORCING PER ASTM A615 (GRADE 60).

- CONE (As .12)
- RISER/WALLS (As .12)
- FLOOR (As .31) #5 BARS AT 12" C.C.E.W.

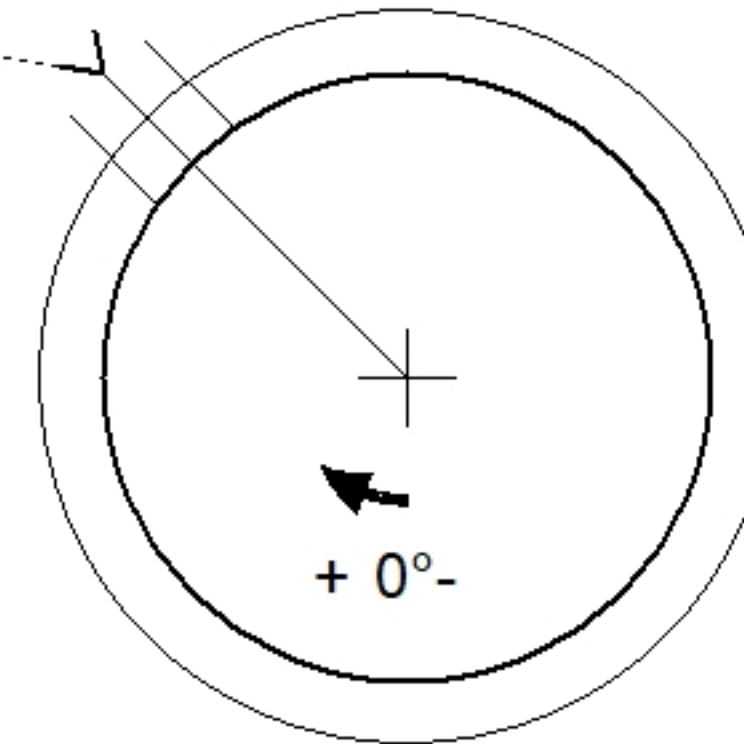
Rim: 411.42' Rim to Invert: 14.61' Slack: 2.32" Sump: 2" Step Position:

Position	Elev	Angle	Ext. (cw)	Pipe	Pipe OD	Connector	Hole	Horz Size	Up ()	Offset
Invert 1										
Invert 2										
Invert 3	403.13'	135°	68.375"	8" PVC SDR35	8.5"	Drop Tee 8" PVC	8.5"	8.545"	37.375"	0"
Invert 4										
Invert 5										
Invert 6										
Invert 7										
Invert 8										

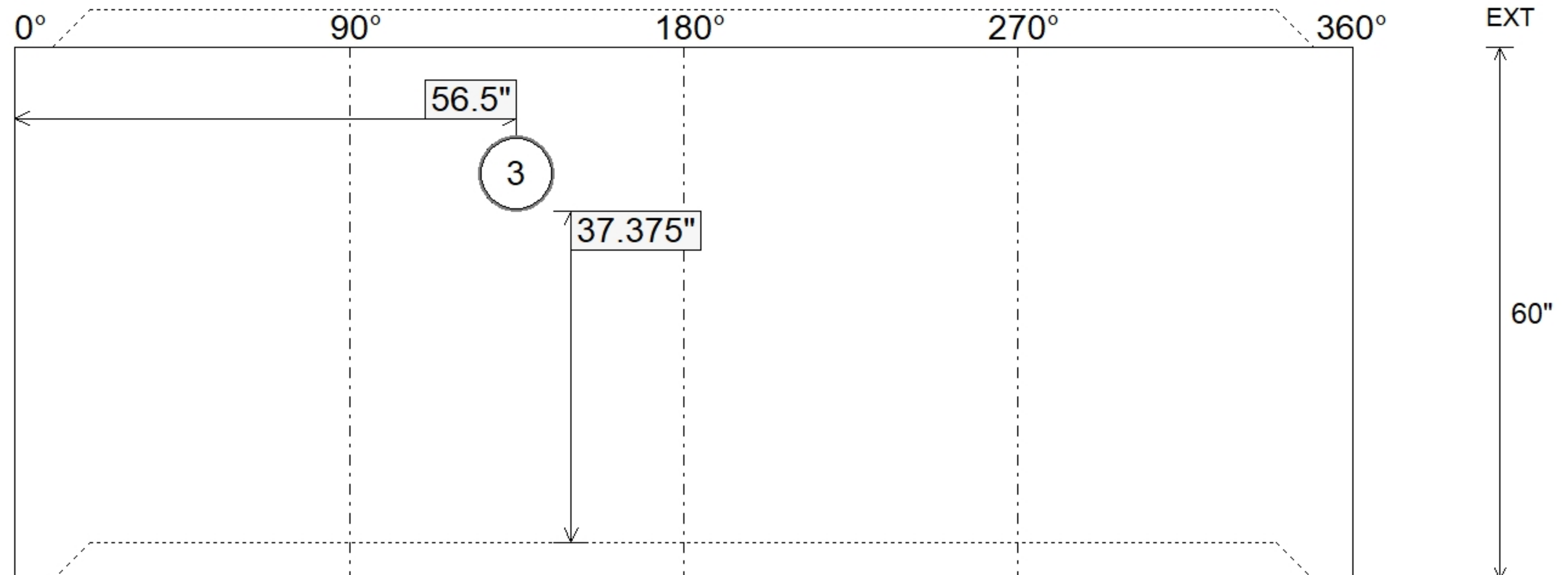
RIGHT-SIDE UP VIEW (int. dimensions)



Invert: 3
Degree: 135°
Horz: 56.5"
Hole: 8.5"
Up(): 37.375"



INSIDE WALL DIMENSIONS



Coating (Int): Coating (Ext):	Seam Up: Tongue Seam Dn: Groove	Wall Thickness: 5" Floor Height: 0"	Height (Int): 60" Height (Ext): 60"	Weight (Net): 4168 lb Volume (Net): 1.06cu.yd
----------------------------------	------------------------------------	--	--	--