

Job Name: 25-4623 Bergdolt & Oak Hill Rd Sanitary Sewer Replacement
 Job Location: Evansville, IN
 Contractor: Deig Bros Lumber & Construction Co, Inc.

Plant: 100

3/6/2026 2:16:01 PM

Tech: J. Horsley

PC: A. Chambers



Structure ID: Str. 203 (5)

P1 MH048BA36CDARED

MH BASE w/DROP/ConBlock-CDA Red T/n

- P5) 24" - CASTING HEIGHT - 7" 0 lb
 - P4) 48" - ECC CONE w/ 24" HOLE, w/ConBlock-CDA Red F/G - 36" 2251 lb
 - P3) 48" - MH RISER w/DROP/ConBlock-CDA Red T/G - 36" 2515 lb
 - P2) 48" - MH RISER w/DROP/ConBlock-CDA Red T/G - 36" 4168 lb
 - P1) 48" - MH BASE w/DROP/ConBlock-CDA Red T/n - 36" 3773 lb
 - 1) 48" - MH INVERT CHANNEL w/ConBlock-CDA Red - FULL HEIGHT 1440 lb
 - 1) ADMIXTURE CONBLOCK CDA RED 0 lb
 - 1) JOINT WRAP - 0.065"x6"x50' CONSEAL CS212 0 lb
 - 1) JOINT WRAP PRIMER - CONSEAL CS-75 (1 gal.) 0 lb
 - 1) CASTING - HOE MC-315 F/C Sanitary 258 lb
 - 3) 48" - Conseal CS-231 1.00" (Double) 0 lb
 - 1) PSX - 12M NYLO 8 lb
 - 1) Drop Elbow - 8" PVC 0 lb
 - 1) Drop Tee - 8" PVC 0 lb
- Structure Total: 14413 lb

Structure Notes:

1. PER ASTM C478 SPECIFICATIONS.
2. CONCRETE = 4,000 PSI AT 28 DAYS.
3. ADMIXTURE = CONBLOCK CDA RED.
4. CASTING BY ICAST (HOE MC-315 F/C).
5. 8" EXTERIOR DROP ASSEMBLY AT 135°.
6. NO STEPS.

REINFORCING PER ASTM A615 (GRADE 60).

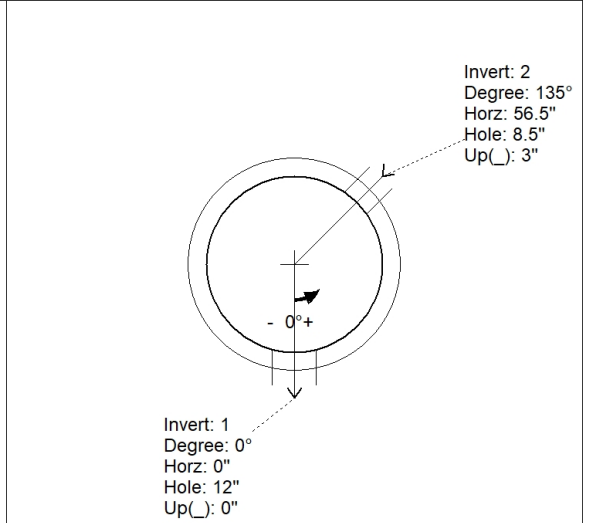
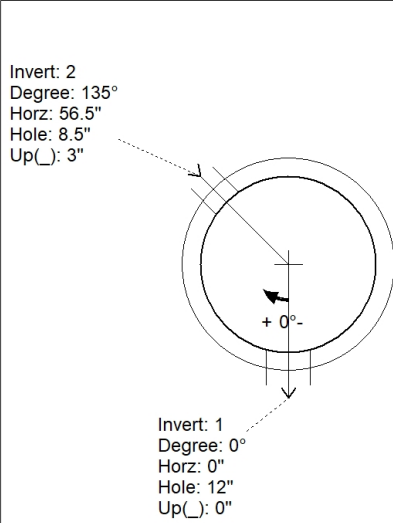
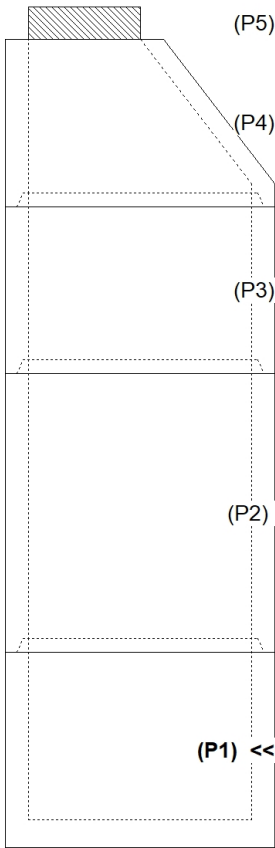
- CONE (As .12)
- RISER/WALLS (As .12)
- FLOOR (As .31) #5 BARS AT 12" C.C.E.W.

Rim: 411.42' Rim to Invert: 14.61' Slack: 2.32" Sump: 2" Step Position:

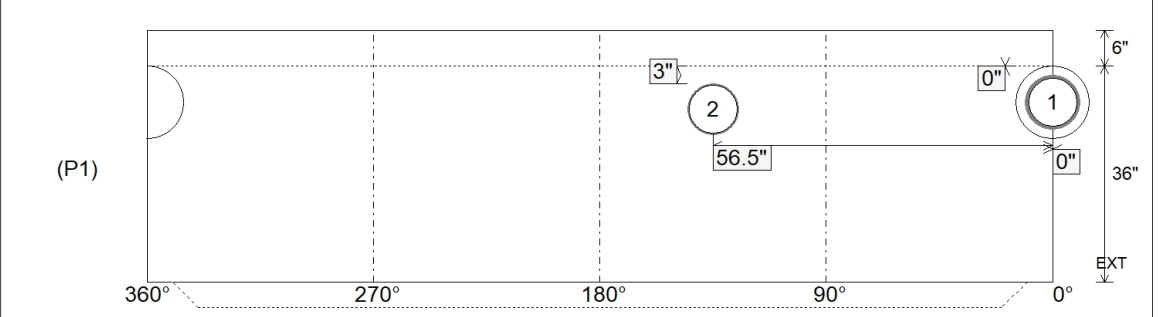
Position	Elev	Angle	Ext. (cw)	Pipe	Pipe OD	Connector	Hole	Horz Size	Up ()	Offset
Invert 1	396.81'	0°	0"	8" PVC C900	9.05"	PSX 12M NYLO	12"	12.129"	0"	0"
Invert 2	396.91'	135°	68.375"	8" PVC SDR35	8.5"	Drop Elbow 8" PVC	8.5"	8.545"	3"	0"
Invert 3										
Invert 4										
Invert 5										
Invert 6										
Invert 7										
Invert 8										

RIGHT-SIDE UP VIEW (int. dimensions)

UPSIDE-DOWN VIEW (int. dimensions)



INSIDE WALL DIMENSIONS



Coating (Int): Coating (Ext):	Seam Up: Tongue Seam Dn: n/a	Wall Thickness: 5" Floor Height: 6"	Height (Int): 36" Height (Ext): 42"	Weight (Net): 3773 lb Volume (Net): 0.96cu.yd
----------------------------------	---------------------------------	----------------------------------------	----------------------------------------	--------------------------------------------------

Job Name: 25-4623 Bergdolt & Oak Hill Rd Sanitary Sewer Replacement
 Job Location: Evansville, IN
 Contractor: Deig Bros Lumber & Construction Co., Inc.

Plant: 100

3/6/2026 2:16:01 PM

Tech: J. Horsley

PC: A. Chambers



Structure ID: Str. 203 (5)

P1A MH048BA36CDARED

MH BASE w/DROP/ConBlock-CDA Red T/n

P5) 24" - CASTING HEIGHT - 7"	0 lb
P4) 48" - ECC CONE w/ 24" HOLE, w/ConBlock-CDA Red F/G - 36"	2251 lb
P3) 48" - MH RISER w/DROP/ConBlock-CDA Red T/G - 36"	2515 lb
P2) 48" - MH RISER w/DROP/ConBlock-CDA Red T/G - 36"	4168 lb
P1) 48" - MH BASE w/DROP/ConBlock-CDA Red T/n - 36"	3773 lb
1) 48" - MH INVERT CHANNEL w/ConBlock-CDA Red - FULL HEIGHT	1440 lb
1) ADMIXTURE CONBLOCK CDA RED	0 lb
1) JOINT WRAP - 0.065"x6"x50' CONSEAL CS212	0 lb
1) JOINT WRAP PRIMER - CONSEAL CS-75 (1 gal.)	0 lb
1) CASTING - HOE MC-315 F/C Sanitary	258 lb
3) 48" - Conseal CS-231 1.00" (Double)	0 lb
1) PSX - 12M NYLO	8 lb
1) Drop Elbow - 8" PVC	0 lb
1) Drop Tee - 8" PVC	0 lb
Structure Total:	14413 lb

Structure Notes:
 1. PER ASTM C478 SPECIFICATIONS.
 2. CONCRETE = 4,000 PSI AT 28 DAYS.
 3. ADMIXTURE = CONBLOCK CDA RED.
 4. CASTING BY ICAST (HOE MC-315 F/C).
 5. 8" EXTERIOR DROP ASSEMBLY AT 135°.
 6. NO STEPS.

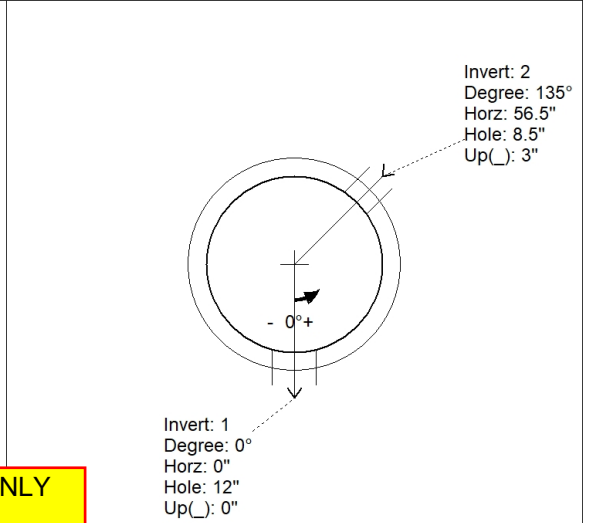
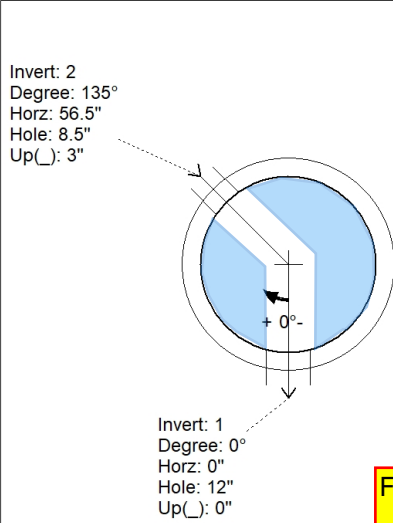
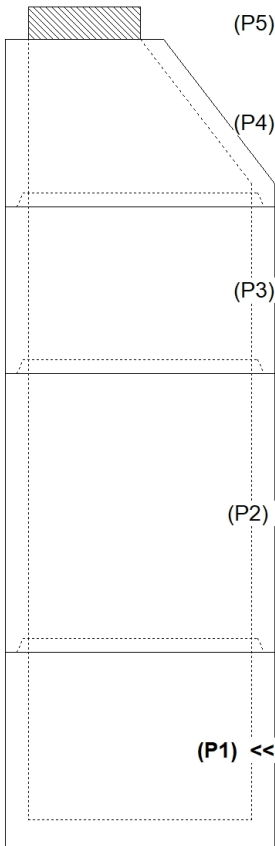
REINFORCING PER ASTM A615 (GRADE 60).
 - CONE (As .12)
 - RISER/WALLS (As .12)
 - FLOOR (As .31) #5 BARS AT 12" C.C.E.W.

Rim: 411.42' Rim to Invert: 14.61' Slack: 2.32" Sump: 2" Step Position:

Position	Elev	Angle	Ext. (cw)	Pipe	Pipe OD	Connector	Hole	Horz Size	Up ()	Offset
Invert 1	396.81'	0°	0"	8" PVC C900	9.05"	PSX 12M NYLO	12"	12.129"	0"	0"
Invert 2	396.91'	135°	68.375"	8" PVC SDR35	8.5"	Drop Elbow 8" PVC	8.5"	8.545"	3"	0"
Invert 3										
Invert 4										
Invert 5										
Invert 6										
Invert 7										
Invert 8										

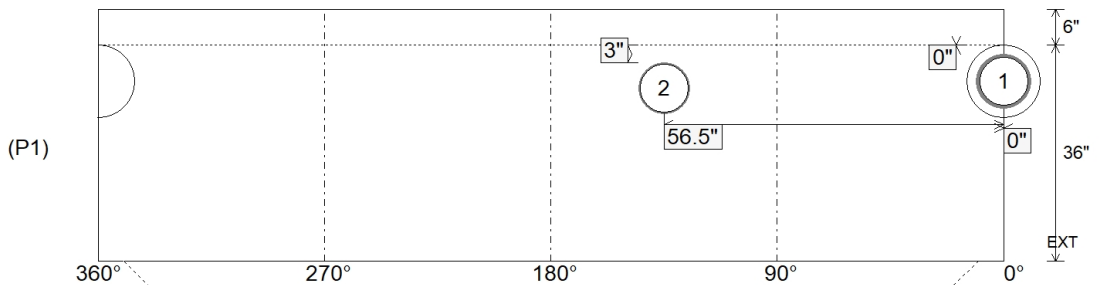
RIGHT-SIDE UP VIEW (int. dimensions)

UPSIDE-DOWN VIEW (int. dimensions)



FOR INVERT ONLY

INSIDE WALL DIMENSIONS



Coating (Int): Coating (Ext):	Seam Up: Tongue Seam Dn: n/a	Wall Thickness: 5" Floor Height: 6"	Height (Int): 36" Height (Ext): 42"	Weight (Net): 3773 lb Volume (Net): 0.96cu.yd
----------------------------------	---------------------------------	----------------------------------------	----------------------------------------	--------------------------------------------------