

Job Name: 25-4623 Bergdolt & Oak Hill Rd Sanitary Sewer Replacement
 Job Location: Evansville, IN
 Contractor: Deig Bros Lumber & Construction Co, Inc.

Plant: 100

3/6/2026 2:51:03 PM

Tech: J. Horsley

PC: A. Chambers



Structure ID: Str. 202 (4)

P1 MH048BA30CDARED

MH BASE w/ConBlock-CDA Red T/n

P6) 24" - CASTING HEIGHT - 7"	0 lb
P5) 24" - GRADE RING w/ConBlock-CDA Red F/F - 4"	270 lb
P4) 48" - ECC CONE w/ 24" HOLE, w/ConBlock-CDA Red F/G - 30"	1961 lb
P3) 48" - MH RISER w/ConBlock-CDA Red T/G - 24"	1677 lb
P2) 48" - MH RISER w/ConBlock-CDA Red T/G - 60"	4192 lb
P1) 48" - MH BASE w/ConBlock-CDA Red T/n - 30"	3330 lb
1) 48" - MH INVERT CHANNEL w/ConBlock-CDA Red - FULL HEIGHT	1440 lb
1) ADMIXTURE CONBLOCK CDA RED	0 lb
1) JOINT WRAP - 0.065"x6"x50' CONSEAL CS212	0 lb
1) JOINT WRAP PRIMER - CONSEAL CS-75 (1 gal.)	0 lb
1) CASTING - HOE MC-315 F/C Sanitary	258 lb
3) 48" - Conseal CS-231 1.00" (Double)	0 lb
2) PSX - 12M NYLO	16 lb
Structure Total:	13144 lb

Structure Notes:
 1. PER ASTM C478 SPECIFICATIONS.
 2. CONCRETE = 4,000 PSI AT 28 DAYS.
 3. ADMIXTURE = CONBLOCK CDA RED.
 4. CASTING BY ICAST (HOE MC-315 F/C).
 5. NO STEPS.
 6. INTERIOR COATING/LINING SUPPLIED BY OTHERS.

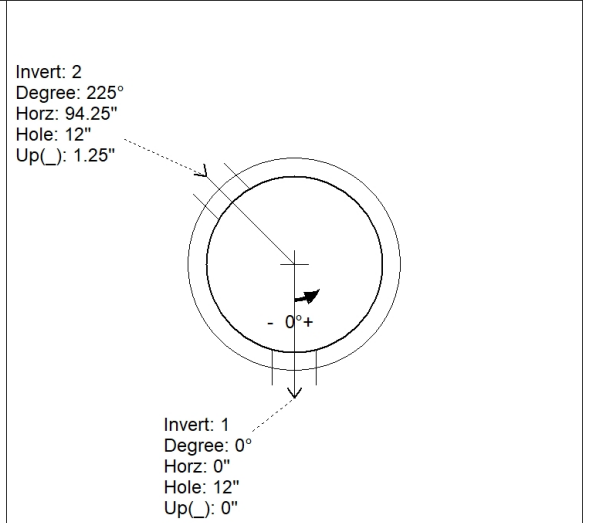
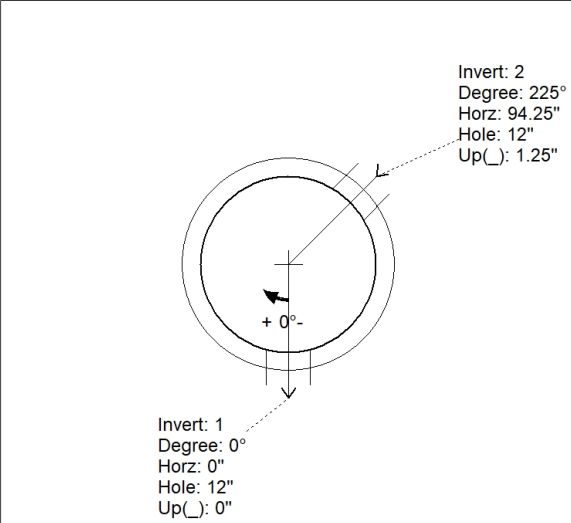
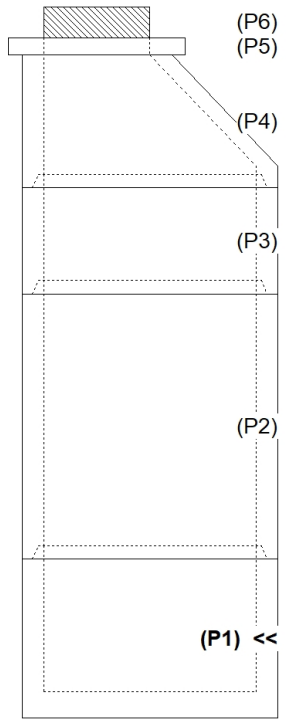
REINFORCING PER ASTM A615 (GRADE 60).
 - CONE (As .12)
 - RISER/WALLS (As .12)
 - FLOOR (As .31) #5 BARS AT 12" C.C.E.W.

Rim: 409.21' Rim to Invert: 12.88' Slack: 1.56" Sump: 2" Step Position:

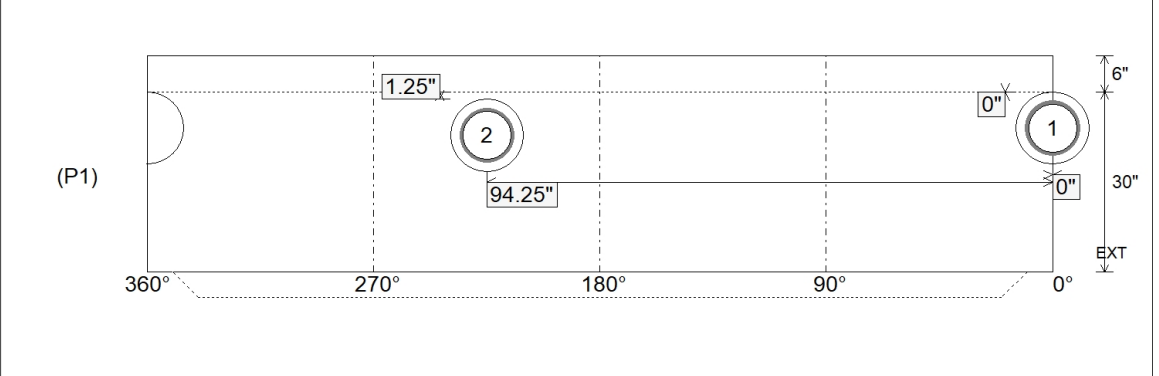
Position	Elev	Angle	Ext. (cw)	Pipe	Pipe OD	Connector	Hole	Horz Size	Up ()	Offset
Invert 1	396.33'	0°	0"	8" PVC C900	9.05"	PSX 12M NYLO	12"	12.129"	0"	0"
Invert 2	396.43'	225°	113.875"	8" PVC C900	9.05"	PSX 12M NYLO	12"	12.129"	1.25"	0"
Invert 3										
Invert 4										
Invert 5										
Invert 6										
Invert 7										
Invert 8										

RIGHT-SIDE UP VIEW (int. dimensions)

UPSIDE-DOWN VIEW (int. dimenions)



INSIDE WALL DIMENSIONS



Coating (Int): Coating (Ext):	Seam Up: Tongue Seam Dn: n/a	Wall Thickness: 5" Floor Height: 6"	Height (Int): 30" Height (Ext): 36"	Weight (Net): 3330 lb Volume (Net): 0.85cu.yd
----------------------------------	---------------------------------	--	--	--

Job Name: 25-4623 Bergdolt & Oak Hill Rd Sanitary Sewer Replacement
 Job Location: Evansville, IN
 Contractor: Deig Bros Lumber & Construction Co., Inc.

Plant: 100

3/6/2026 2:51:03 PM

Tech: J. Horsley

PC: A. Chambers



Structure ID: Str. 202 (4)

P1A MH048BA30CDARED

MH BASE w/ConBlock-CDA Red T/n

- P6) 24" - CASTING HEIGHT - 7"
- P5) 24" - GRADE RING w/ConBlock-CDA Red F/F - 4"
- P4) 48" - ECC CONE w/ 24" HOLE, w/ConBlock-CDA Red F/G - 30"
- P3) 48" - MH RISER w/ConBlock-CDA Red T/G - 24"
- P2) 48" - MH RISER w/ConBlock-CDA Red T/G - 60"
- P1) 48" - MH BASE w/ConBlock-CDA Red T/n - 30"
- 1) 48" - MH INVERT CHANNEL w/ConBlock-CDA Red - FULL HEIGHT
- 1) ADMIXTURE CONBLOCK CDA RED
- 1) JOINT WRAP - 0.065"x6"x50' CONSEAL CS212
- 1) JOINT WRAP PRIMER - CONSEAL CS-75 (1 gal.)
- 1) CASTING - HOE MC-315 F/C Sanitary
- 3) 48" - Conseal CS-231 1.00" (Double)
- 2) PSX - 12M NYLO

0 lb
 270 lb
 1961 lb
 1677 lb
 4192 lb
 3330 lb
 1440 lb
 0 lb
 0 lb
 0 lb
 258 lb
 0 lb
 16 lb

Structure Total: 13144 lb

Structure Notes:

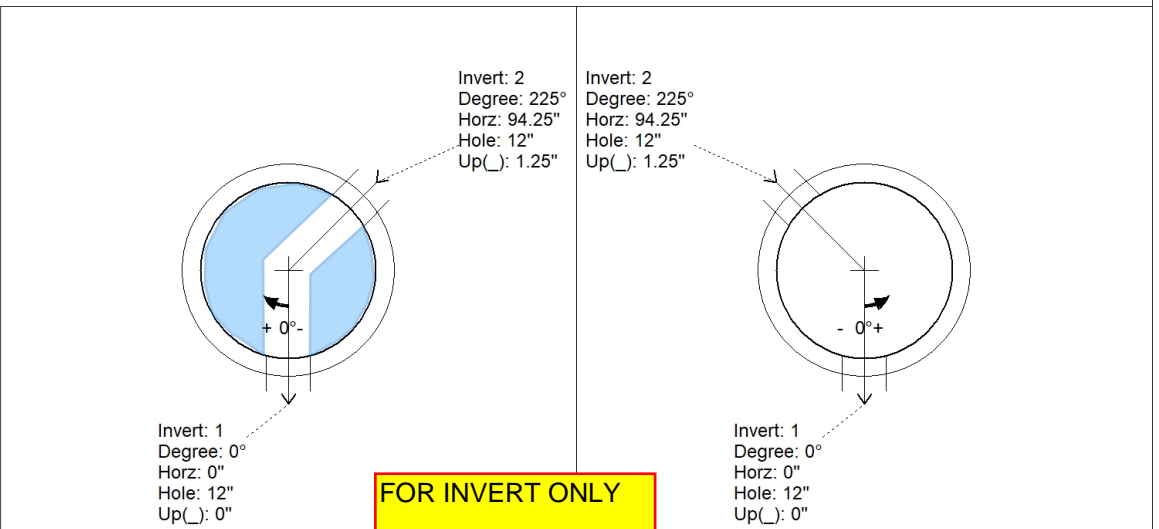
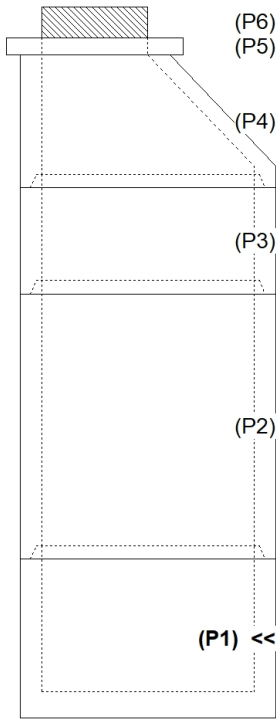
1. PER ASTM C478 SPECIFICATIONS.
 2. CONCRETE = 4,000 PSI AT 28 DAYS.
 3. ADMIXTURE = CONBLOCK CDA RED.
 4. CASTING BY ICAST (HOE MC-315 F/C).
 5. NO STEPS.
 6. INTERIOR COATING/LINING SUPPLIED BY OTHERS.
- REINFORCING PER ASTM A615 (GRADE 60).
 - CONE (As .12)
 - RISER/WALLS (As .12)
 - FLOOR (As .31) #5 BARS AT 12" C.C.E.W.

Rim: 409.21' Rim to Invert: 12.88' Slack: 1.56" Sump: 2" Step Position:

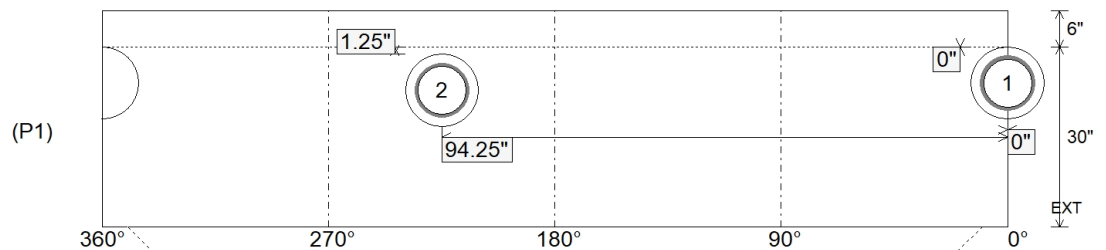
Position	Elev	Angle	Ext. (cw)	Pipe	Pipe OD	Connector	Hole	Horz Size	Up (L)	Offset
Invert 1	396.33'	0°	0"	8" PVC C900	9.05"	PSX 12M NYLO	12"	12.129"	0"	0"
Invert 2	396.43'	225°	113.875"	8" PVC C900	9.05"	PSX 12M NYLO	12"	12.129"	1.25"	0"
Invert 3										
Invert 4										
Invert 5										
Invert 6										
Invert 7										
Invert 8										

RIGHT-SIDE UP VIEW (int. dimensions)

UPSIDE-DOWN VIEW (int. dimenions)



INSIDE WALL DIMENSIONS



Coating (Int):
 Coating (Ext):

Seam Up: Tongue
 Seam Dn: n/a

Wall Thickness: 5"
 Floor Height: 6"

Height (Int): 30"
 Height (Ext): 36"

Weight (Net): 3330 lb
 Volume (Net): 0.85cu.yd