

Job Name: 25-4623 Bergdolt & Oak Hill Rd Sanitary Sewer Replacement
Job Location: Evansville, IN
Contractor: Deig Bros Lumber & Construction Co, Inc.

PC: A. Chambers
 TECH: J. Horsley
 Plant: 100



Structure ID: **Str. 201 (3)**

Spec: Sanitary
 Type: SAN.MH w/ConBlock-CDA Red
 Size: 48"

Rim: 401.02'
 Invert: 393.66'
 Rim to Invert: 7.36'

Sump: 2"
 Floor (Top): 393.493'
 Floor Height: 6"

Floor (Bot): 392.993'
 Overall Height: 7.917'
 Slack: 1.32"

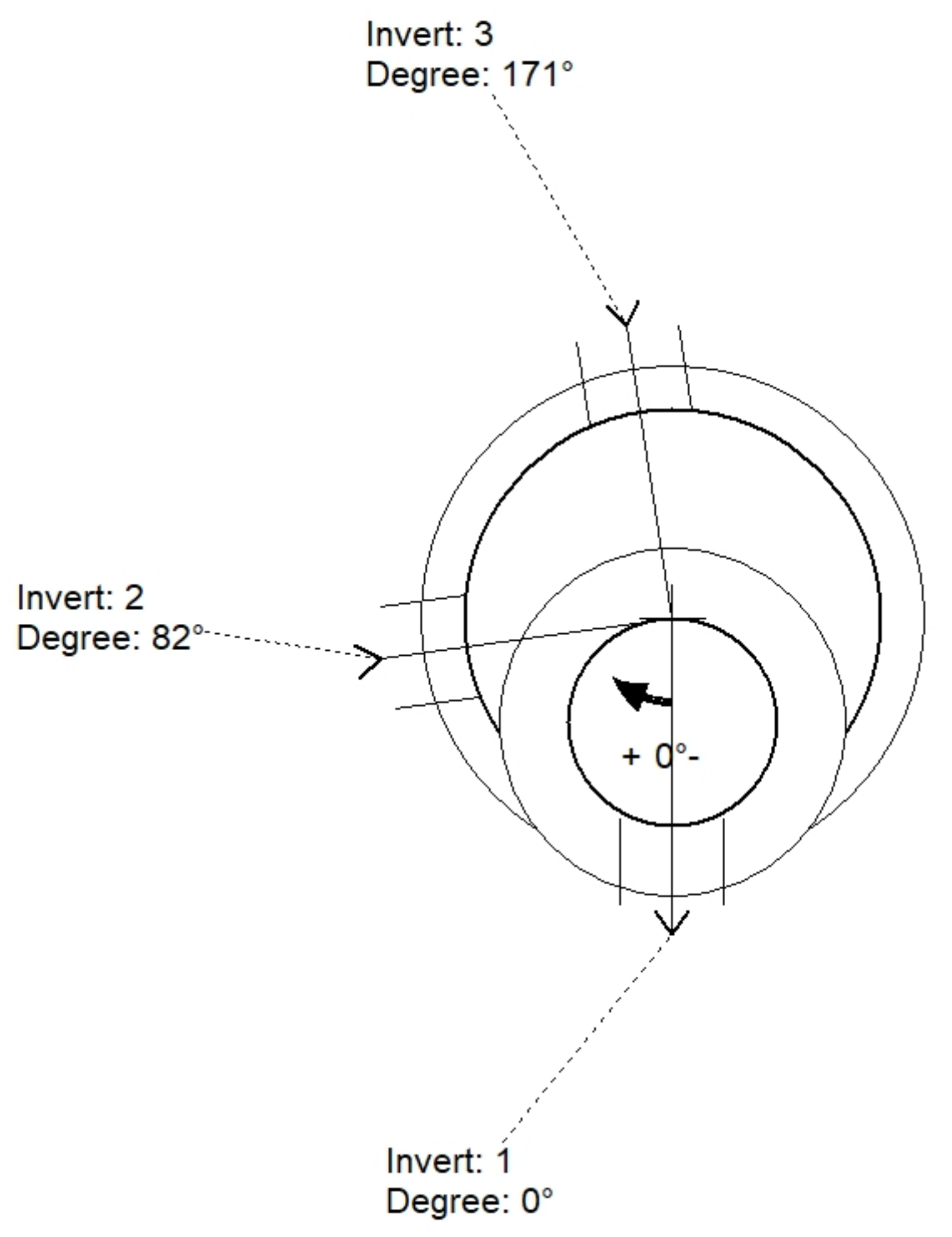
Structure Notes:

1. PER ASTM C478 SPECIFICATIONS.
2. CONCRETE = 4,000 PSI AT 28 DAYS.
3. ADMIXTURE = CONBLOCK CDA RED.
4. CASTING BY ICAST (HOE MC-315 F/C).
5. NO STEPS.

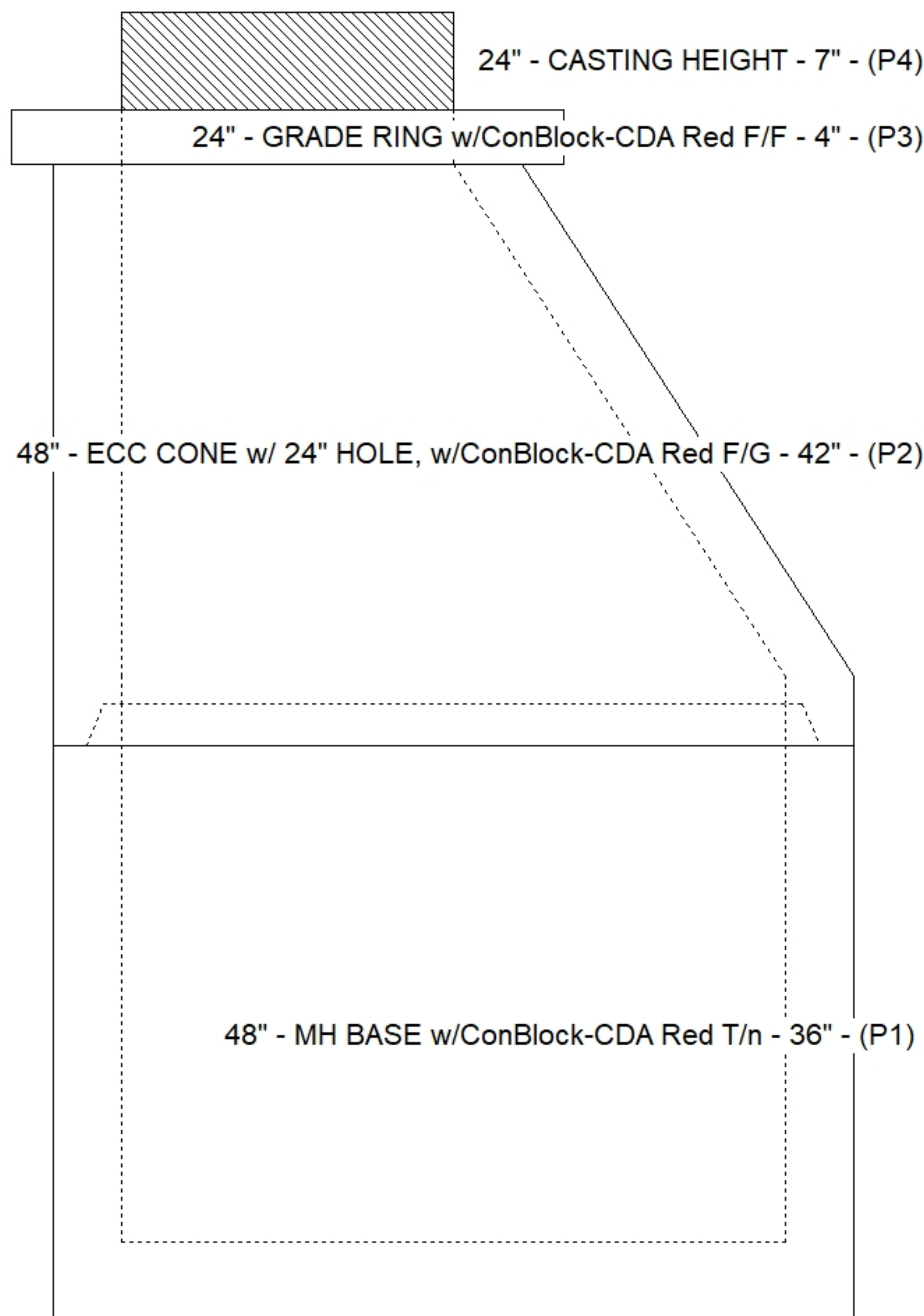
REINFORCING PER ASTM A615 (GRADE 60).
 - CONE (As .12)
 - RISER/WALLS (As .12)
 - FLOOR (As .31) #5 BARS AT 12" C.C.E.W.

STRUCTURE SUMMARY:

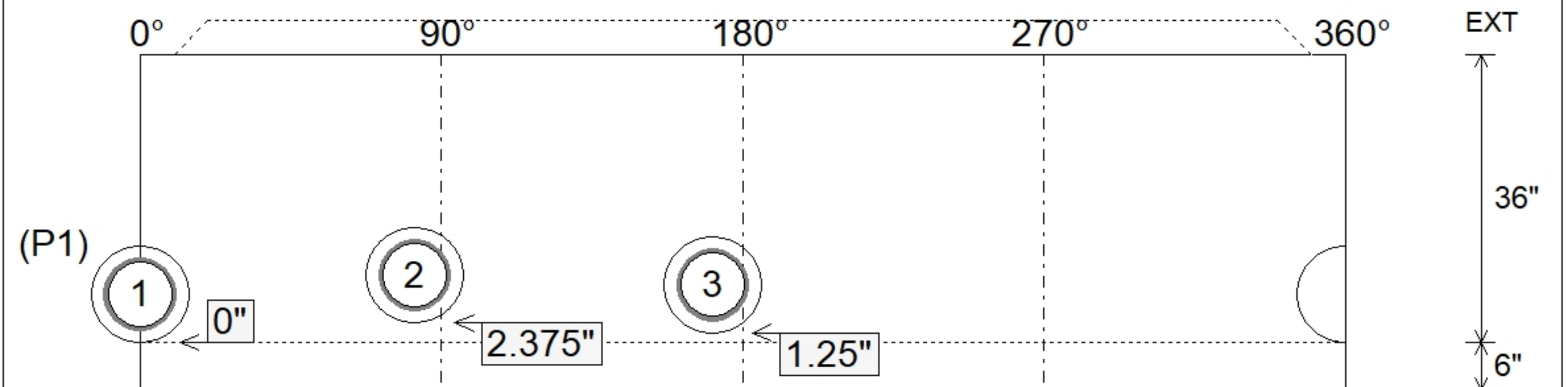
P4) 24" - CASTING HEIGHT - 7"	0 lb
P3) 24" - GRADE RING w/ConBlock-CDA Red F/F - 4"	270 lb
P2) 48" - ECC CONE w/ 24" HOLE, w/ConBlock-CDA Red F/G - 42"	3116 lb
P1) 48" - MH BASE w/ConBlock-CDA Red T/n - 36"	3701 lb
1) 48" - MH INVERT CHANNEL w/ConBlock-CDA Red - FULL HEIGHT	1440 lb
1) ADMIXTURE CONBLOCK CDA RED	0 lb
1) JOINT WRAP - 0.065"x6"x50' CONSEAL CS212	0 lb
1) JOINT WRAP PRIMER - CONSEAL CS-75 (1 gal.)	0 lb
1) CASTING - HOE MC-315 F/C Sanitary	258 lb
1) 48" - Con Seal CS-231 1.00" (Double)	0 lb
3) PSX - 12M NYLO	24 lb
Structure Total:	8810 lb



Position	Elev	Angle	Pipe	Pipe OD	Hole	Connector	Up (")	Ref
Rim	401.02'							
Reducer								
Invert 1	393.66'	0°	8" PVC C900	9.05"	12"	PSX 12M NYLO	0"	P1
Invert 2	393.86'	82°	8" PVC C900	9.05"	12"	PSX 12M NYLO	2.375"	P1
Invert 3	393.76'	171°	8" PVC C900	9.05"	12"	PSX 12M NYLO	1.25"	P1
Invert 4								
Invert 5								
Invert 6								
Invert 7								
Invert 8								



Cast (Int. Dim.) - Interior Dimensions



Submittal Drawing
 3/6/2026 2:15:32 PM

SUBMITTAL
 APPROVED BY: