

Job Name: 25-4623 Bergdolt & Oak Hill Rd Sanitary Sewer Replacement
 Job Location: Evansville, IN
 Contractor: Deig Bros Lumber & Construction Co, Inc.

Plant: 100

3/6/2026 2:15:58 PM

Tech: J. Horsley

PC: A. Chambers



Structure ID: Str. 201 (3)

P1 MH048BA36CDARED

MH BASE w/ConBlock-CDA Red T/n

- P4) 24" - CASTING HEIGHT - 7" 0 lb
- P3) 24" - GRADE RING w/ConBlock-CDA Red F/F - 4" 270 lb
- P2) 48" - ECC CONE w/ 24" HOLE, w/ConBlock-CDA Red F/G - 42" 3116 lb
- P1) 48" - MH BASE w/ConBlock-CDA Red T/n - 36" 3701 lb
- 1) 48" - MH INVERT CHANNEL w/ConBlock-CDA Red - FULL HEIGHT 1440 lb
- 1) ADMIXTURE CONBLOCK CDA RED 0 lb
- 1) JOINT WRAP - 0.065"x6"x50' CONSEAL CS212 0 lb
- 1) JOINT WRAP PRIMER - CONSEAL CS-75 (1 gal.) 0 lb
- 1) CASTING - HOE MC-315 F/C Sanitary 258 lb
- 1) 48" - Conseal CS-231 1.00" (Double) 0 lb
- 3) PSX - 12M NYLO 24 lb

Structure Total: 8810 lb

Structure Notes:

1. PER ASTM C478 SPECIFICATIONS.
2. CONCRETE = 4,000 PSI AT 28 DAYS.
3. ADMIXTURE = CONBLOCK CDA RED.
4. CASTING BY ICAST (HOE MC-315 F/C).
5. NO STEPS.

REINFORCING PER ASTM A615 (GRADE 60).

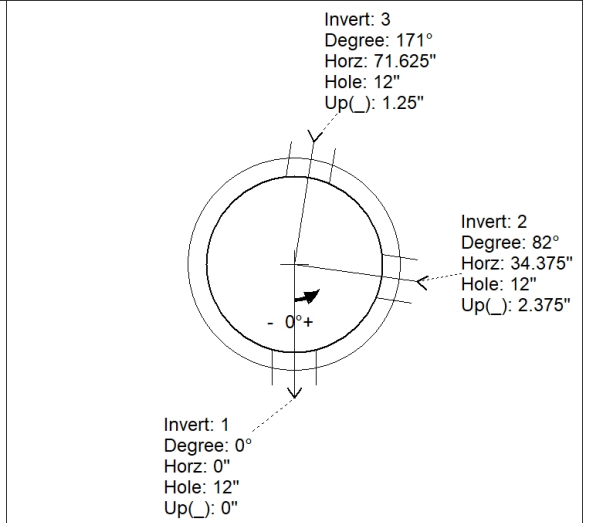
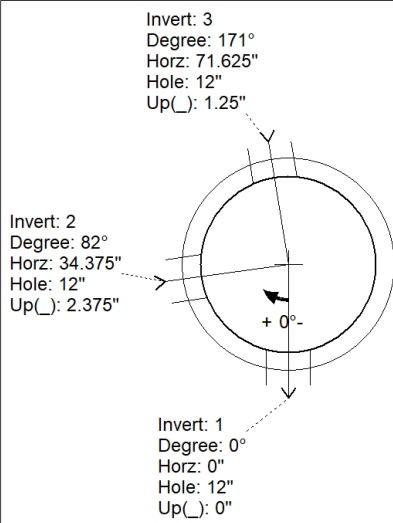
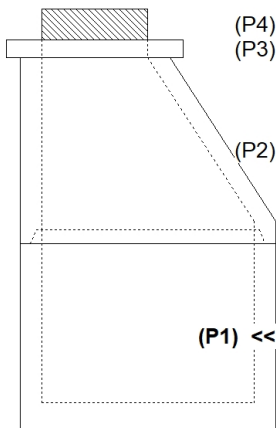
- CONE (As .12)
- RISER/WALLS (As .12)
- FLOOR (As .31) #5 BARS AT 12" C.C.E.W.

Rim: 401.02' Rim to Invert: 7.36' Slack: 1.32" Sump: 2" Step Position:

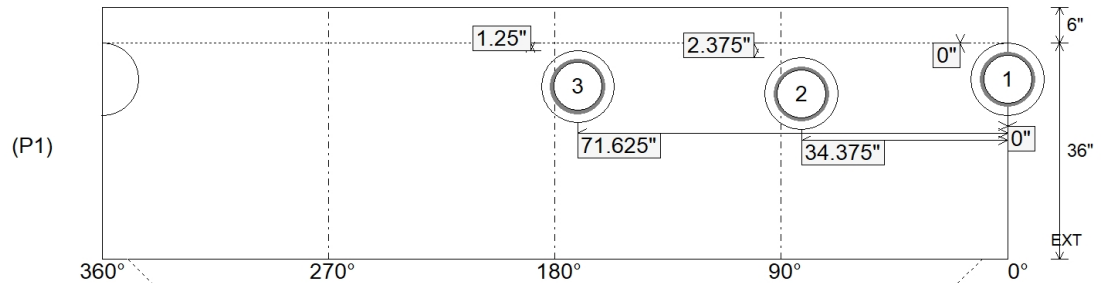
Position	Elev	Angle	Ext. (cw)	Pipe	Pipe OD	Connector	Hole	Horz Size	Up ()	Offset
Invert 1	393.66'	0°	0"	8" PVC C900	9.05"	PSX 12M NYLO	12"	12.129"	0"	0"
Invert 2	393.86'	82°	41.5"	8" PVC C900	9.05"	PSX 12M NYLO	12"	12.129"	2.375"	0"
Invert 3	393.76'	171°	86.5"	8" PVC C900	9.05"	PSX 12M NYLO	12"	12.129"	1.25"	0"
Invert 4										
Invert 5										
Invert 6										
Invert 7										
Invert 8										

RIGHT-SIDE UP VIEW (int. dimensions)

UPSIDE-DOWN VIEW (int. dimensions)



INSIDE WALL DIMENSIONS



Coating (Int):
Coating (Ext):

Seam Up: Tongue
Seam Dn: n/a

Wall Thickness: 5"
Floor Height: 6"

Height (Int): 36"
Height (Ext): 42"

Weight (Net): 3701 lb
Volume (Net): 0.94cu.yd

Job Name: 25-4623 Bergdolt & Oak Hill Rd Sanitary Sewer Replacement
 Job Location: Evansville, IN
 Contractor: Deig Bros Lumber & Construction Co, Inc.

Plant: 100

3/6/2026 2:15:58 PM

Tech: J. Horsley

PC: A. Chambers



Structure ID: Str. 201 (3)

P1A MH048BA36CDARED

MH BASE w/ConBlock-CDA Red T/n

- P4) 24" - CASTING HEIGHT - 7"
- P3) 24" - GRADE RING w/ConBlock-CDA Red F/F - 4"
- P2) 48" - ECC CONE w/ 24" HOLE, w/ConBlock-CDA Red F/G - 42"
- P1) 48" - MH BASE w/ConBlock-CDA Red T/n - 36"
- 1) 48" - MH INVERT CHANNEL w/ConBlock-CDA Red - FULL HEIGHT
- 1) ADMIXTURE CONBLOCK CDA RED
- 1) JOINT WRAP - 0.065"x6"x50' CONSEAL CS212
- 1) JOINT WRAP PRIMER - CONSEAL CS-75 (1 gal.)
- 1) CASTING - HOE MC-315 F/C Sanitary
- 1) 48" - Conseal CS-231 1.00" (Double)
- 3) PSX - 12M NYLO

0 lb
 270 lb
 3116 lb
 3701 lb
 1440 lb
 0 lb
 0 lb
 0 lb
 0 lb
 258 lb
 0 lb
 24 lb

 Structure Total: 8810 lb

Structure Notes:
 1. PER ASTM C478 SPECIFICATIONS.
 2. CONCRETE = 4,000 PSI AT 28 DAYS.
 3. ADMIXTURE = CONBLOCK CDA RED.
 4. CASTING BY ICAST (HOE MC-315 F/C).
 5. NO STEPS.

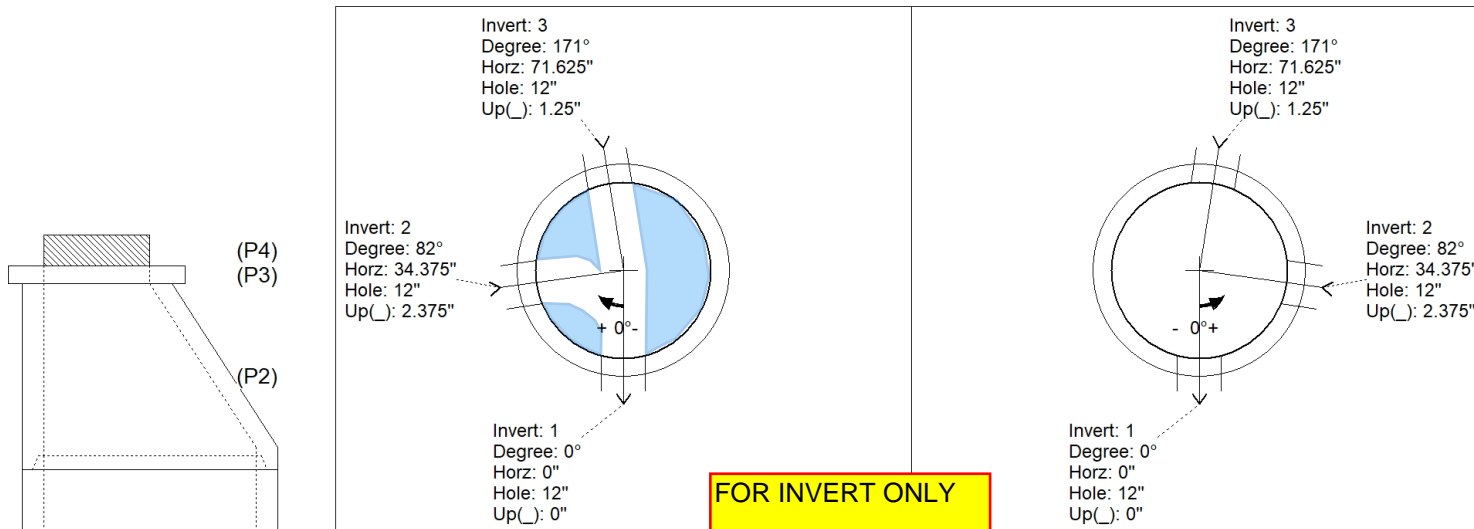
REINFORCING PER ASTM A615 (GRADE 60).
 - CONE (As .12)
 - RISER/WALLS (As .12)
 - FLOOR (As .31) #5 BARS AT 12" C.C.E.W.

Rim: 401.02' Rim to Invert: 7.36' Slack: 1.32" Sump: 2" Step Position:

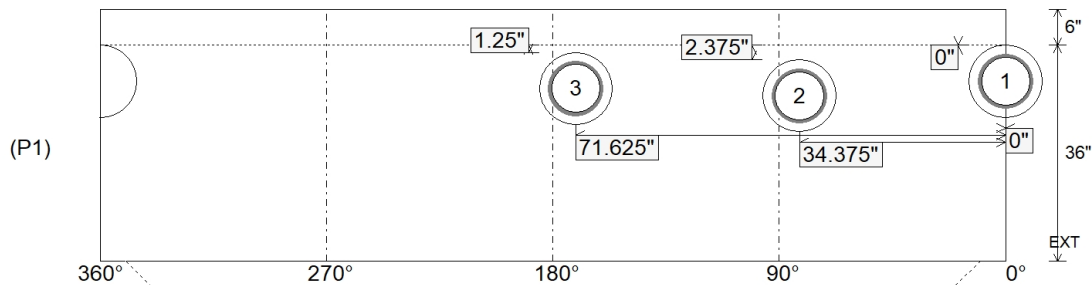
Position	Elev	Angle	Ext. (cw)	Pipe	Pipe OD	Connector	Hole	Horz Size	Up ()	Offset
Invert 1	393.66'	0°	0"	8" PVC C900	9.05"	PSX 12M NYLO	12"	12.129"	0"	0"
Invert 2	393.86'	82°	41.5"	8" PVC C900	9.05"	PSX 12M NYLO	12"	12.129"	2.375"	0"
Invert 3	393.76'	171°	86.5"	8" PVC C900	9.05"	PSX 12M NYLO	12"	12.129"	1.25"	0"
Invert 4										
Invert 5										
Invert 6										
Invert 7										
Invert 8										

RIGHT-SIDE UP VIEW (int. dimensions)

UPSIDE-DOWN VIEW (int. dimensions)



INSIDE WALL DIMENSIONS



Coating (Int): Coating (Ext):	Seam Up: Tongue Seam Dn: n/a	Wall Thickness: 5" Floor Height: 6"	Height (Int): 36" Height (Ext): 42"	Weight (Net): 3701 lb Volume (Net): 0.94cu.yd
----------------------------------	---------------------------------	--	--	--