

**Job Name: 25-4622 - 847707 Project Wildcat Manhattan KS**  
**Job Location: Manhattan, KS**  
**Contractor: Contech Engineering Solutions**

PC: T. Sekula  
 TECH: J. Coppage  
 Plant: Beaver Dam



Structure ID: **15-CS-6**  
 Spec: Storm-Pipe Centered  
 Type: STM.MH  
 Size: 72"

Rim: 1053.49'  
 Invert: 1048.2'  
 Rim to Invert: 5.29'

Sump: 60"  
 Floor (Top): 1043.2'  
 Floor Height: 8"

Floor (Bot): 1042.533'  
 Overall Height: 10.25'  
 Slack: 8.48"

Structure Notes:  
 (4" TALL CASTING PROVIDED BY OTHERS)

CONTECH'S LOGO AS WELL AS THE INLET AND THE OUTLET MUST BE STENCILED ONTO THE STRUCTURE

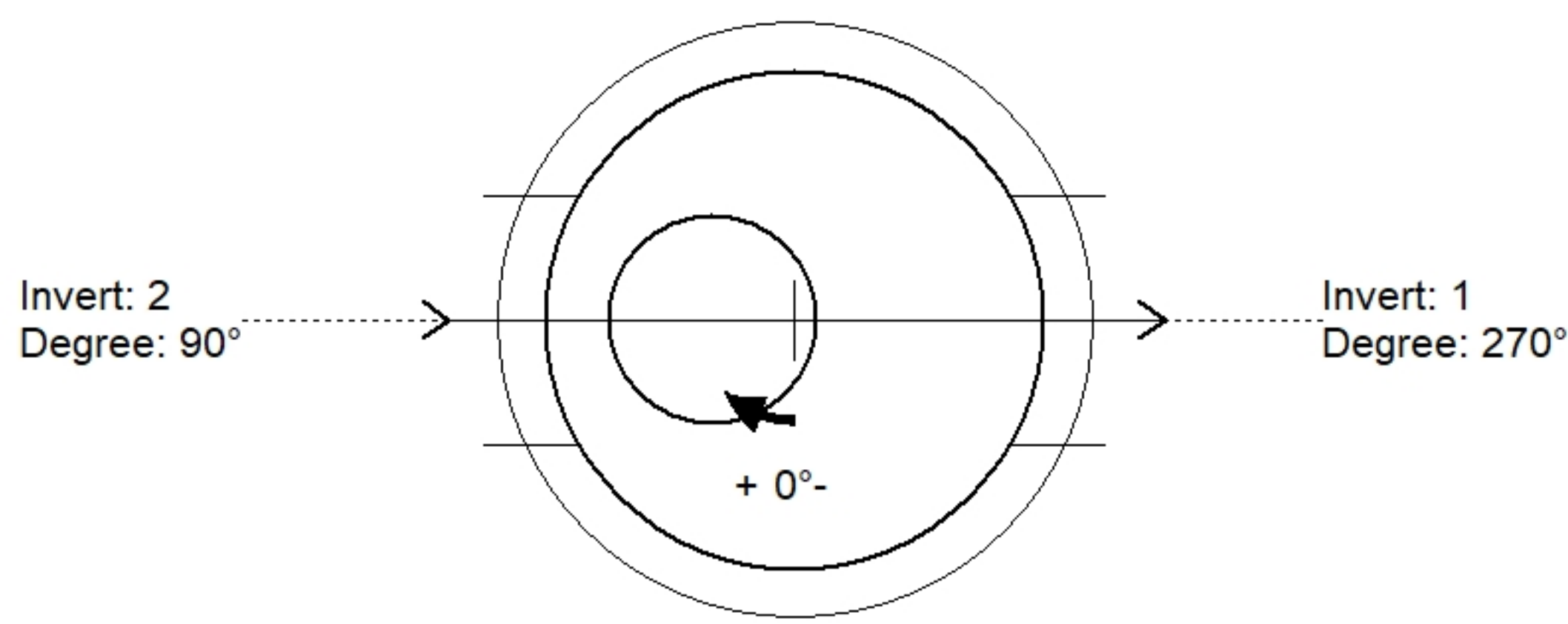
BASE TO BE MECHANICALLY ATTACHED TO THE CONTROL RISER

LIFTING ANCHORS TO BE INTALLED ON THE OUTSIDE OF THE STRUCTURE

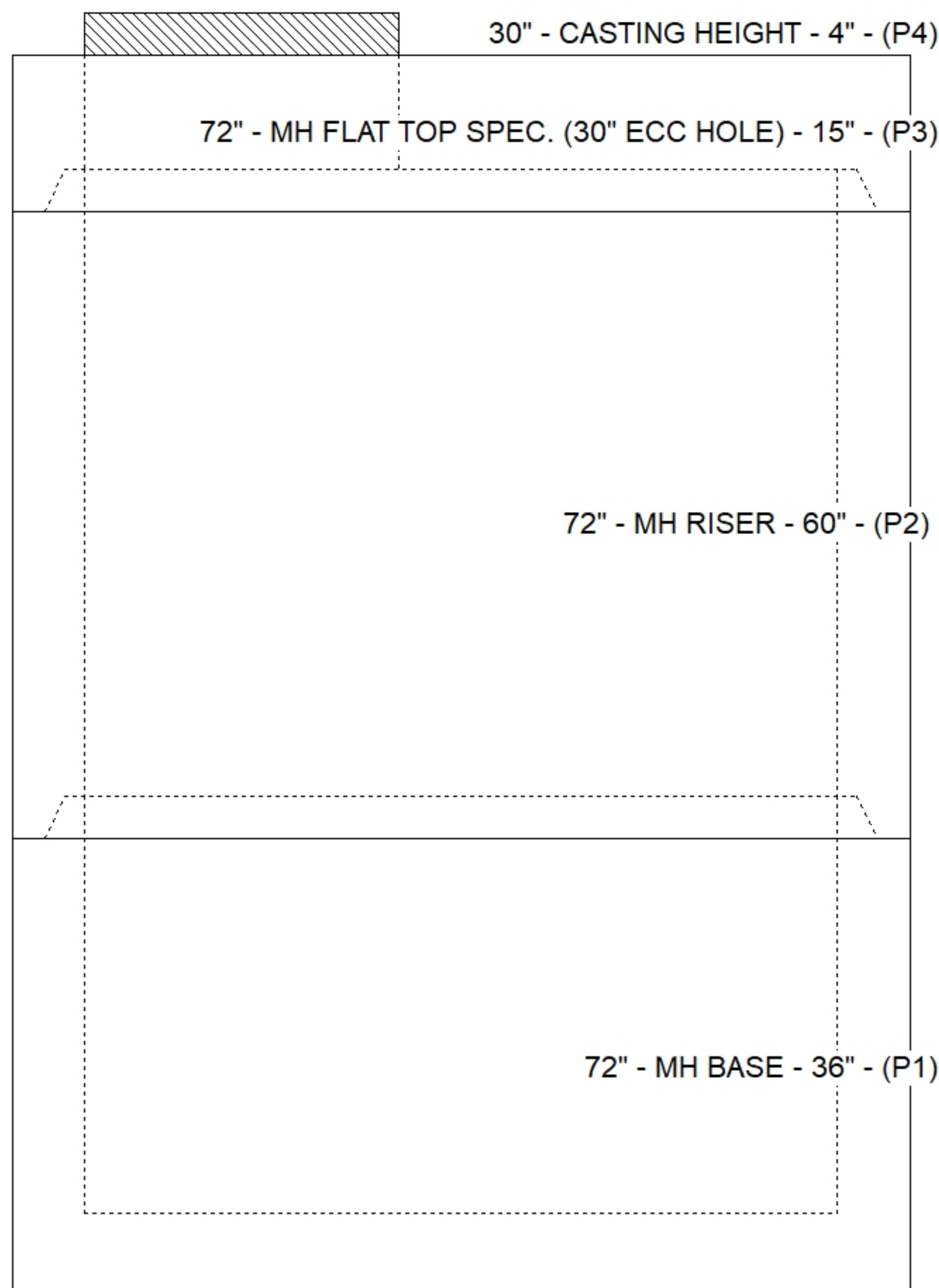
ICAST TO INSTALL THE INTERNALS

STRUCTURE SUMMARY:

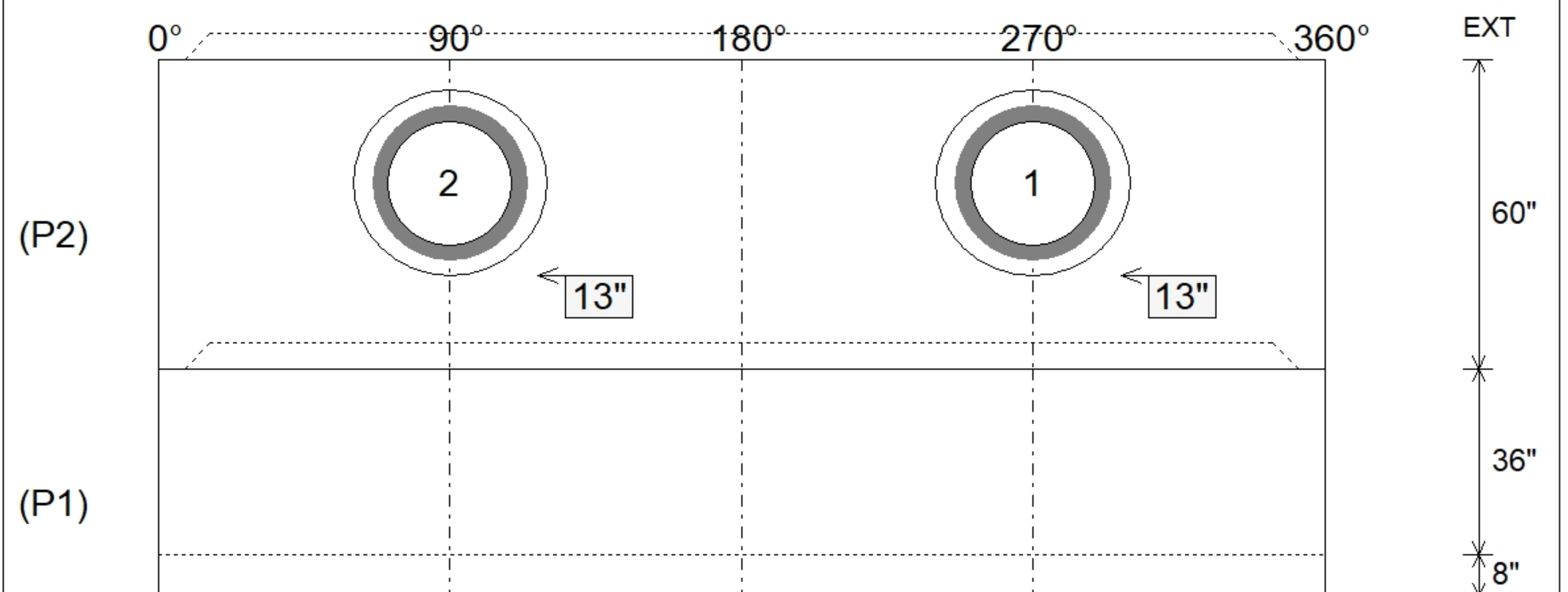
P4) 30" - CASTING HEIGHT - 4"	0 lb
P3) 72" - MH FLAT TOP SPEC. (30" ECC HOLE) - 15"	4661 lb
P2) 72" - MH RISER - 60"	7504 lb
P1) 72" - MH BASE - 36"	9148 lb
1) CVSTENCILING	0 lb
1) ASSEMBLY REQUIRED	0 lb
2) 72" - Conseal CS-102 1.00"	0 lb
2) Hole - 36	0 lb
<b>Structure Total:</b>	<b>21312 lb</b>



Position	Elev	Angle	Pipe	Pipe OD	Hole	Connector	Up (L)	Ref
Rim	1053.49'							
Reducer								
Invert 1	1048.2'	270°	24" RCP B WALL	30"	36"	Hole 36	13"	P2
Invert 2	1048.2'	90°	24" RCP B WALL	30"	36"	Hole 36	13"	P2
Invert 3								
Invert 4								
Invert 5								
Invert 6								
Invert 7								
Invert 8								



Default - Interior Dimensions



Submittal Drawing  
 12/8/2025 12:23:56 PM

SUBMITTAL  
 APPROVED BY: