

Job Name: 25-4620 - Oak Grove Sewer Main Extension  
 Job Location: Oak Grove, KY  
 Contractor: Winwater Hartford KY Co.

Plant: 100  
 12/15/2025 10:19:00 AM

Tech: J. Hosrley - F  
 PC: A. Chambers



**Structure ID: 2 (3)**

**P1 MH048BA36CDARED**

**MH BASE w/ConBlock-CDA Red T/n**

P3) 24" - CASTING HEIGHT - 7"	0 lb
P2) 48" - MH FLAT TOP w/24" Hole ECC w/ConBlock-CDA Red F/G - 12"	1580 lb
P1) 48" - MH BASE w/ConBlock-CDA Red T/n - 36"	3701 lb
1) JOINT WRAP - 0.065"x6"x50" CONSEAL CS212	0 lb
1) JOINT WRAP PRIMER - CONSEAL CS-75 (1 gal.)	0 lb
1) ADMIXTURE CONBLOCK CDA RED	0 lb
1) 48" - MH INVERT CHANNEL w/ConBlock-CDA Red - FULL HEIGHT	1440 lb
1) CASTING - JBS 1140M F/C SANITARY	250 lb
1) 48" - Conseal CS-102 1.00" (Double)	0 lb
1) PSX - 12-08 DD	8 lb
2) PSX - 12-06 DD	16 lb
3) MH Step ML-10-TDS-NCR - 10"	0 lb
<b>Structure Total:</b>	<b>6995 lb</b>

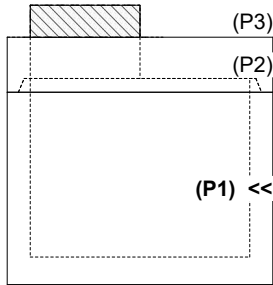
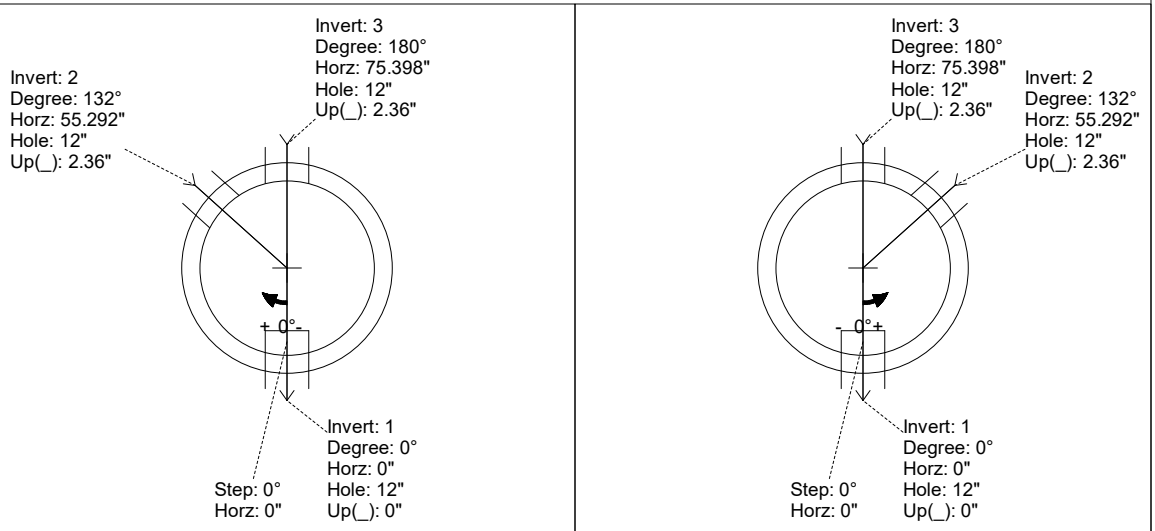
- Structure Notes:**
1. PER ASTM C-478 SPECIFICATIONS
  2. CONCRETE: 4,000 PSI AT 28 DAYS
  3. REINFORCEMENT: PER ASTM A615
  4. INVERT CHANNEL REQUIRED
  5. CONBLOCK CDA RED ADMIXTURE REQUIRED
  6. STEPS AT 0 DEGREES
  7. CASTING BY ICAST (JBS 1140M FRAME & COVER "SANITARY")
  8. ICAST TO PROVIDE DOUBLE BANDS FOR BOOTS

Rim: 537.29' Rim to Invert: 4.42' Slack: 0.04" Sump: 2" Step Position: 0°

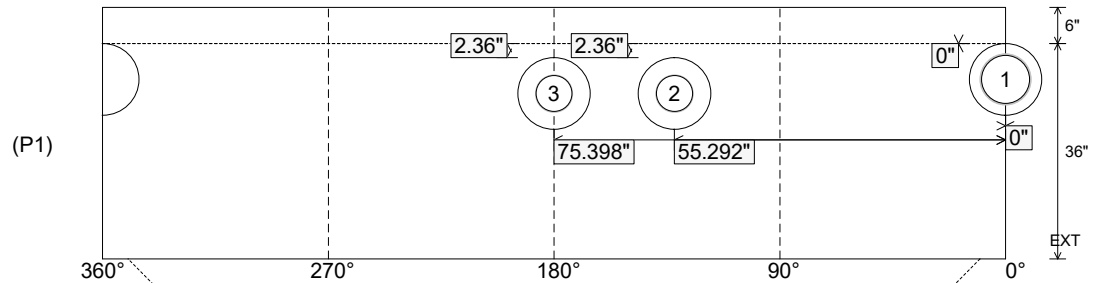
Position	Elev	Angle	Ext. (cw)	Pipe	Pipe OD	Connector	Hole	Horz Size	Up (↓)	Offset
Invert 1	532.87'	0°	0"	8" PVC SDR35	8.5"	PSX 12-08 DD	12"	12.129"	0"	0"
Invert 2	533.15'	132°	66.811"	6" PVC SDR35	6.25"	PSX 12-06 DD	12"	12.129"	2.36"	0"
Invert 3	533.15'	180°	91.106"	6" PVC SDR35	6.25"	PSX 12-06 DD	12"	12.129"	2.36"	0"
Invert 4										
Invert 5										
Invert 6										
Invert 7										
Invert 8										

RIGHT-SIDE UP VIEW (int. dimensions)

UPSIDE-DOWN VIEW (int. dimensions)



INSIDE WALL DIMENSIONS



Coating (Int):  
 Coating (Ext):

Seam Up: Tongue  
 Seam Dn: n/a

Wall Thickness: 5"  
 Floor Height: 6"

Height (Int): 36"  
 Height (Ext): 42"

Weight (Net): 3701 lb  
 Volume (Net): 0.94cu.yd

Job Name: 25-4620 - Oak Grove Sewer Main Extension  
 Job Location: Oak Grove, KY  
 Contractor: Winwater Hartford KY Co.

Plant: 100  
 12/15/2025 10:19:00 AM

Tech: J. Hosrley - F  
 PC: A. Chambers



**Structure ID: 2 (3)**

**P1 MH048BA36CDARED**

**MH BASE w/ConBlock-CDA Red T/n**

P3) 24" - CASTING HEIGHT - 7"	0 lb
P2) 48" - MH FLAT TOP w/24" Hole ECC w/ConBlock-CDA Red F/G - 12"	1580 lb
P1) 48" - MH BASE w/ConBlock-CDA Red T/n - 36"	3701 lb
1) JOINT WRAP - 0.065"x6"x50" CONSEAL CS212	0 lb
1) JOINT WRAP PRIMER - CONSEAL CS-75 (1 gal.)	0 lb
1) ADMIXTURE CONBLOCK CDA RED	0 lb
1) 48" - MH INVERT CHANNEL w/ConBlock-CDA Red - FULL HEIGHT	1440 lb
1) CASTING - JBS 1140M F/C SANITARY	250 lb
1) 48" - Conseal CS-102 1.00" (Double)	0 lb
1) PSX - 12-08 DD	8 lb
2) PSX - 12-06 DD	16 lb
3) MH Step ML-10-TDS-NCR - 10"	0 lb
<b>Structure Total:</b>	<b>6995 lb</b>

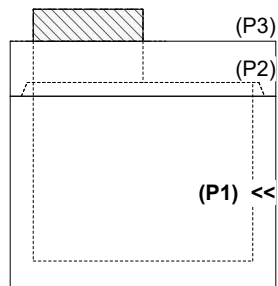
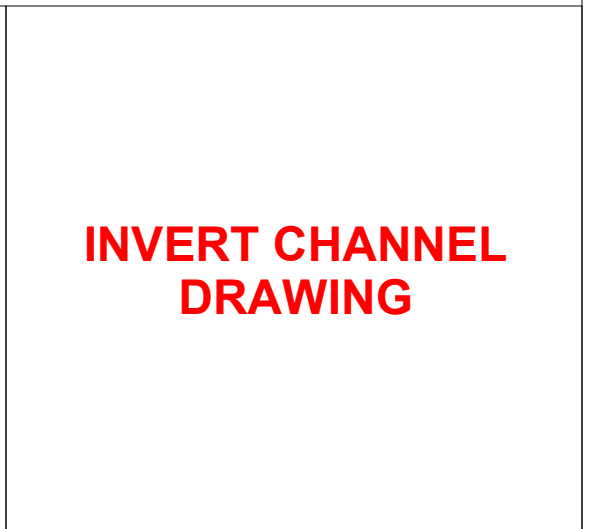
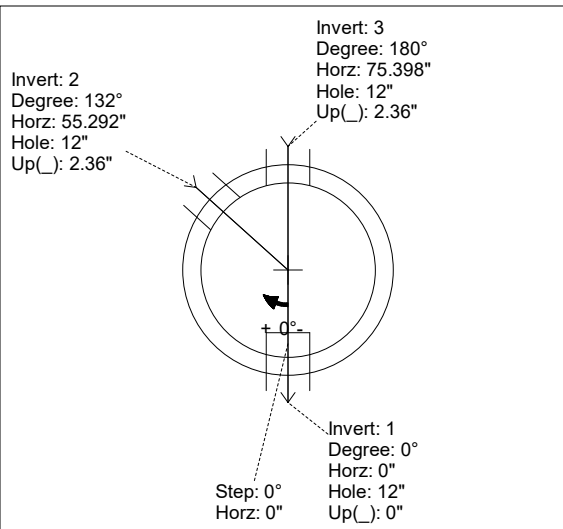
- Structure Notes:**
- PER ASTM C-478 SPECIFICATIONS
  - CONCRETE: 4,000 PSI AT 28 DAYS
  - REINFORCEMENT: PER ASTM A615
  - INVERT CHANNEL REQUIRED
  - CONBLOCK CDA RED ADMIXTURE REQUIRED
  - STEPS AT 0 DEGREES
  - CASTING BY ICAST (JBS 1140M FRAME & COVER "SANITARY")
  - ICAST TO PROVIDE DOUBLE BANDS FOR BOOTS

Rim: 537.29' Rim to Invert: 4.42' Slack: 0.04" Sump: 2" Step Position: 0°

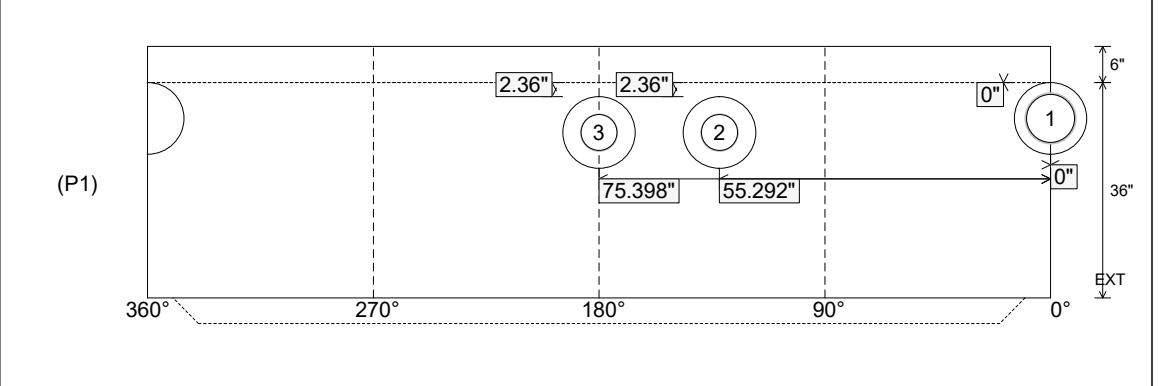
Position	Elev	Angle	Ext. (cw)	Pipe	Pipe OD	Connector	Hole	Horz Size	Up (↓)	Offset
Invert 1	532.87'	0°	0"	8" PVC SDR35	8.5"	PSX 12-08 DD	12"	12.129"	0"	0"
Invert 2	533.15'	132°	66.811"	6" PVC SDR35	6.25"	PSX 12-06 DD	12"	12.129"	2.36"	0"
Invert 3	533.15'	180°	91.106"	6" PVC SDR35	6.25"	PSX 12-06 DD	12"	12.129"	2.36"	0"
Invert 4										
Invert 5										
Invert 6										
Invert 7										
Invert 8										

RIGHT-SIDE UP VIEW (int. dimensions)

UPSIDE-DOWN VIEW (int. dimensions)



INSIDE WALL DIMENSIONS



Coating (Int): Coating (Ext):	Seam Up: Tongue Seam Dn: n/a	Wall Thickness: 5" Floor Height: 6"	Height (Int): 36" Height (Ext): 42"	Weight (Net): 3701 lb Volume (Net): 0.94cu.yd
----------------------------------	---------------------------------	--	--	--