

Job Name: 25-4620 - Oak Grove Sewer Main Extension
Job Location: Oak Grove, KY
Contractor: Winwater Hartford KY Co.

PC: A. Chambers
 TECH: J. Hosrley - F
 Plant: 100



Structure ID: 1 (2)
 Spec: Sanitary
 Type: SAN.MH w/ConBlock-CDA Red
 Size: 48"

Rim: 539.36'
 Invert: 532.29'
 Rim to Invert: 7.07'

Sump: 2"
 Floor (Top): 532.123'
 Floor Height: 6"

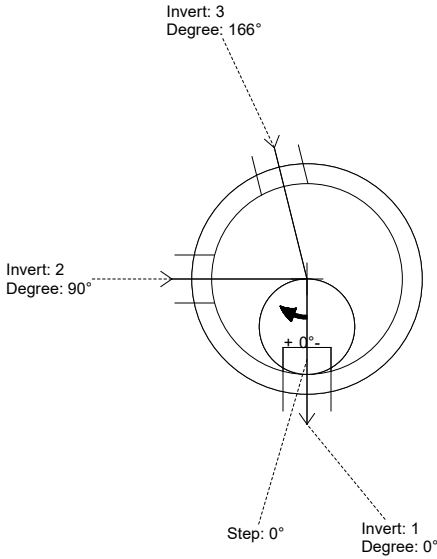
Floor (Bot): 531.623'
 Overall Height: 7.583'
 Slack: 1.84"

Structure Notes:

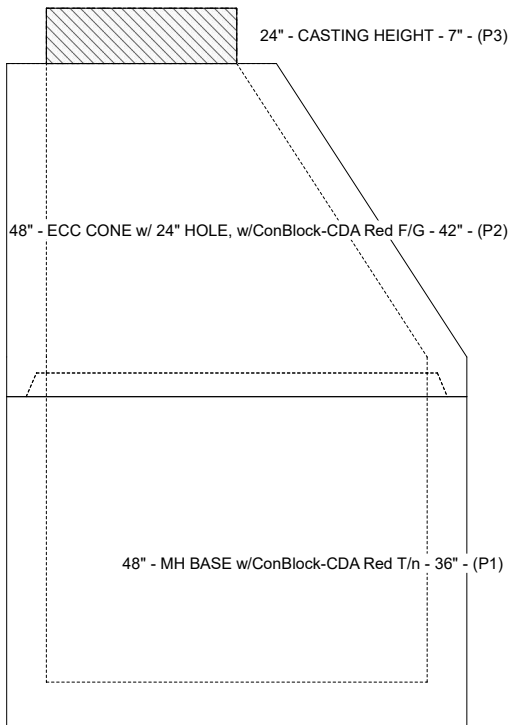
1. PER ASTM C-478 SPECIFICATIONS
2. CONCRETE: 4,000 PSI AT 28 DAYS
3. REINFORCEMENT: PER ASTM A615
4. INVERT CHANNEL REQUIRED
5. CONBLOCK CDA RED ADMIXTURE REQUIRED
6. STEPS AT 0 DEGREES
7. CASTING BY ICAST (JBS 1140M FRAME & COVER "SANITARY")
8. ICAST TO PROVIDE DOUBLE BANDS FOR BOOTS

STRUCTURE SUMMARY:

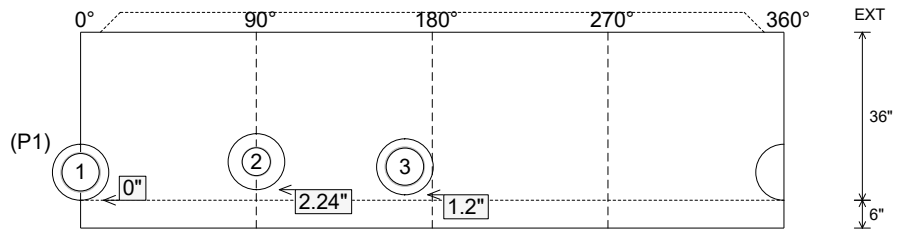
P3) 24" - CASTING HEIGHT - 7"	0 lb
P2) 48" - ECC CONE w/ 24" HOLE, w/ConBlock-CDA Red F/G - 42"	3116 lb
P1) 48" - MH BASE w/ConBlock-CDA Red T/n - 36"	3701 lb
1) JOINT WRAP - 0.065"x6"x50' CONSEAL CS212	0 lb
1) JOINT WRAP PRIMER - CONSEAL CS-75 (1 gal.)	0 lb
1) ADMIXTURE CONBLOCK CDA RED	0 lb
1) 48" - MH INVERT CHANNEL w/ConBlock-CDA Red - FULL HEIGHT	1440 lb
1) CASTING - JBS 1140M F/C SANITARY	250 lb
1) 48" - ConSeal CS-102 1.00" (Double)	0 lb
2) PSX - 12-08 DD	16 lb
1) PSX - 12-06 DD	8 lb
7) MH Step ML-10-TDS-NCR - 10"	0 lb
Structure Total:	8532 lb



Position	Elev	Angle	Pipe	Pipe OD	Hole	Connector	Up (")	Ref
Rim	539.36'							
Reducer								
Invert 1	532.29'	0°	8" PVC SDR35	8.5"	12"	PSX 12-08 DD	0"	P1
Invert 2	532.56'	90°	6" PVC SDR35	6.25"	12"	PSX 12-06 DD	2.24"	P1
Invert 3	532.39'	166°	8" PVC SDR35	8.5"	12"	PSX 12-08 DD	1.2"	P1
Invert 4								
Invert 5								
Invert 6								
Invert 7								
Invert 8								



Cast (Int. Dim.) - Interior Dimensions



Submittal Drawing
 12/15/2025 10:18:34 AM

SUBMITTAL
 APPROVED BY: