

Job Name: 25-4616 - 781070 Bohannon Tract 5
Job Location: Louisville, KY
Contractor: Contech Engineering Solutions

PC: T. Sekula
 TECH: J. Coppage
 Plant: Beaver Dam



Structure ID: **15-CS-4**
 Spec: Storm-Pipe Centered
 Type: STM.MH
 Size: 48"

Rim: 435'
 Invert: 431.15'
 Rim to Invert: 3.85'

Sump: 48"
 Floor (Top): 427.15'
 Floor Height: 6"

Floor (Bot): 426.65'
 Overall Height: 7.833'
 Slack: 6.2"

Structure Notes:
 (4" TALL CASTING PROVIDED BY OTHERS)

ICAST TO INSTALL THE INTERNALS

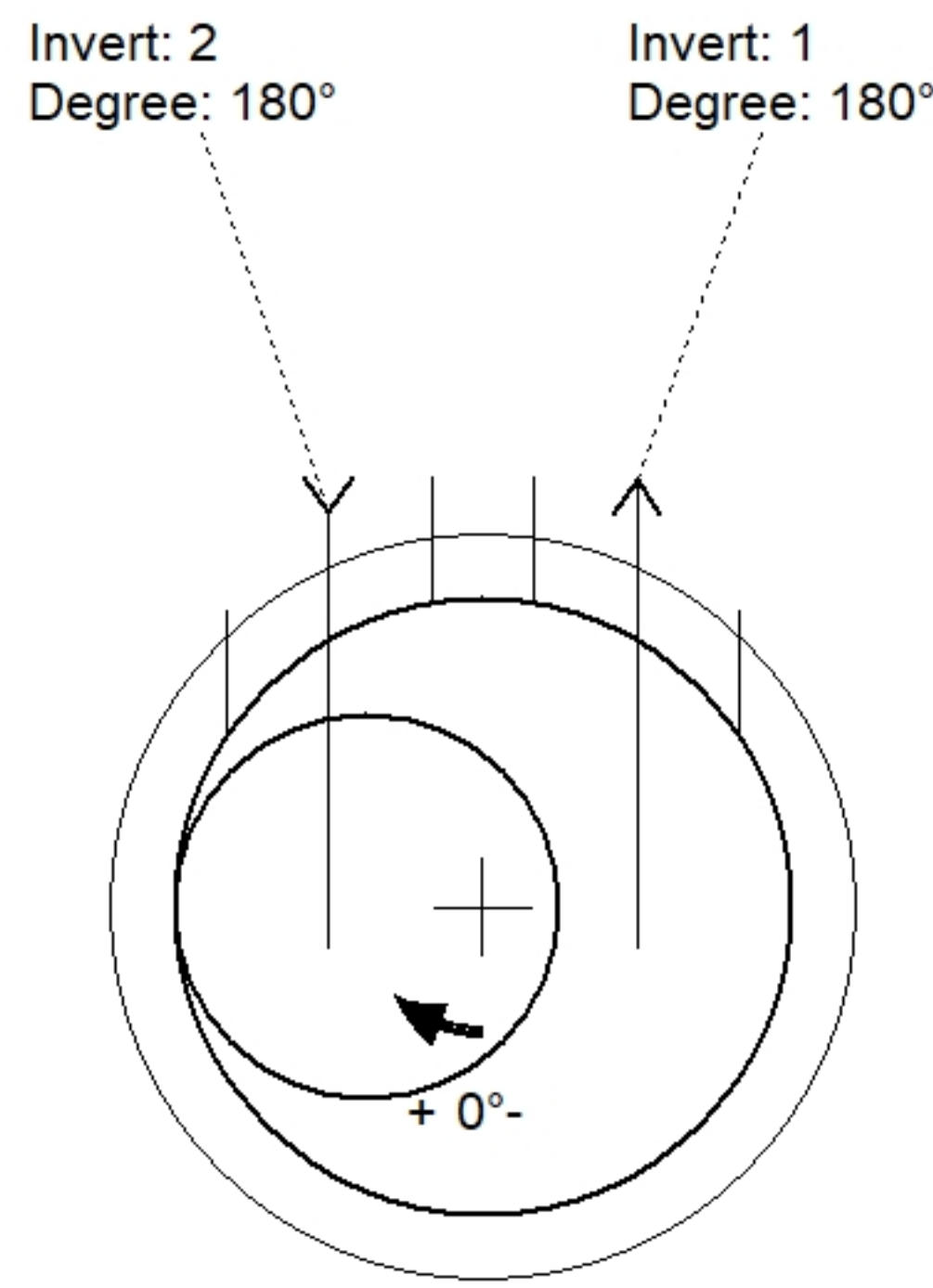
CONTECH'S LOGO AS WELL AS THE INLET AND THE OUTLET MUST BE STENCILED ONTO THE STRUCTURE

LIFTING ANCHORS TO BE INSTALLED ON THE OUTSIDE OF THE STRUCTURE

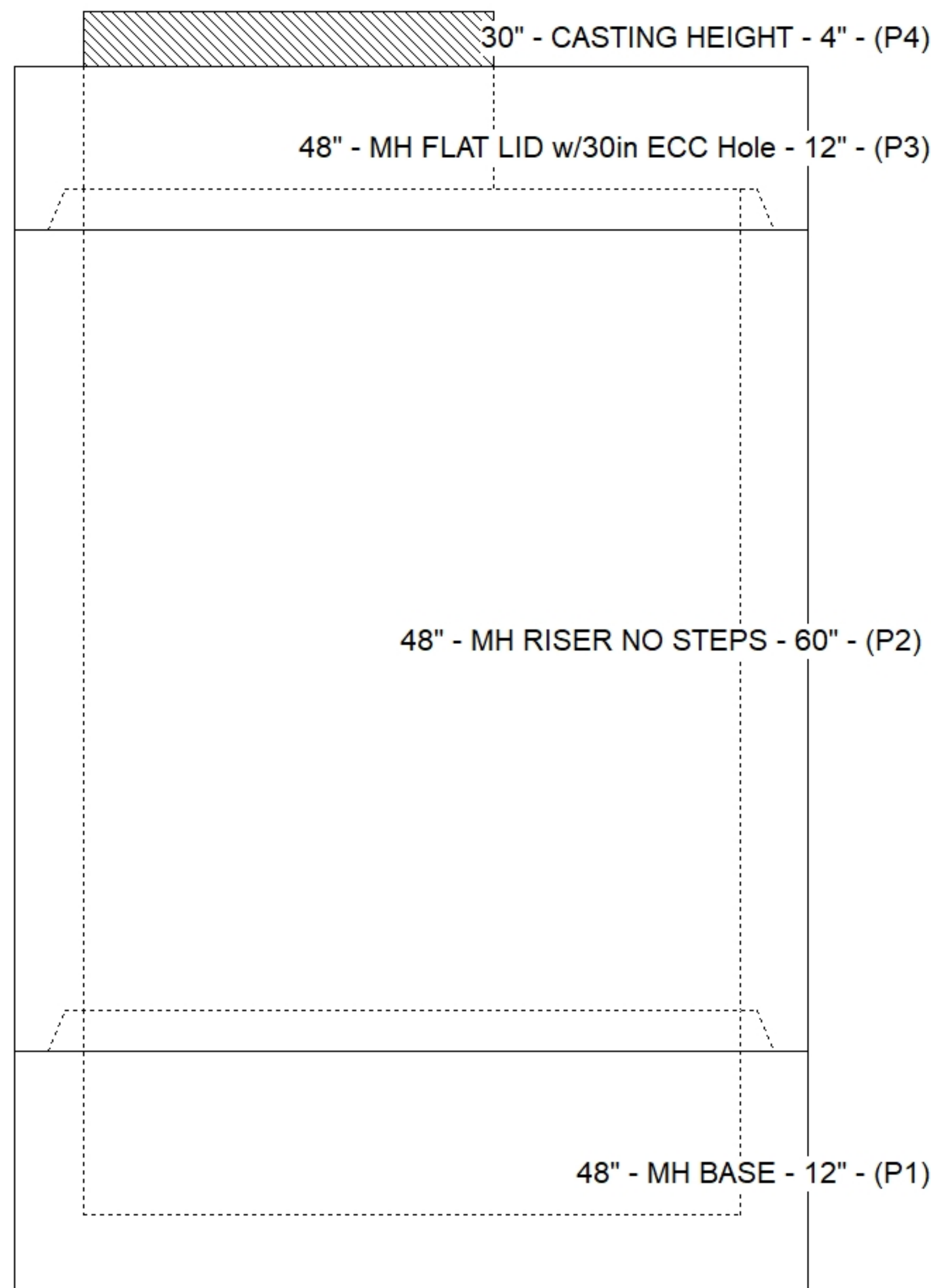
STRUCTURE SUMMARY:

P4) 30" - CASTING HEIGHT - 4"	0 lb
P3) 48" - MH FLAT LID w/30in ECC Hole - 12"	1413 lb
P2) 48" - MH RISER NO STEPS - 60"	3993 lb
P1) 48" - MH BASE - 12"	2169 lb
1) ASSEMBLY REQUIRED	0 lb
1) CVSTENCILING	0 lb
2) 48" - Conseal CS-102 1.00"	0 lb
2) Hole - 16	0 lb

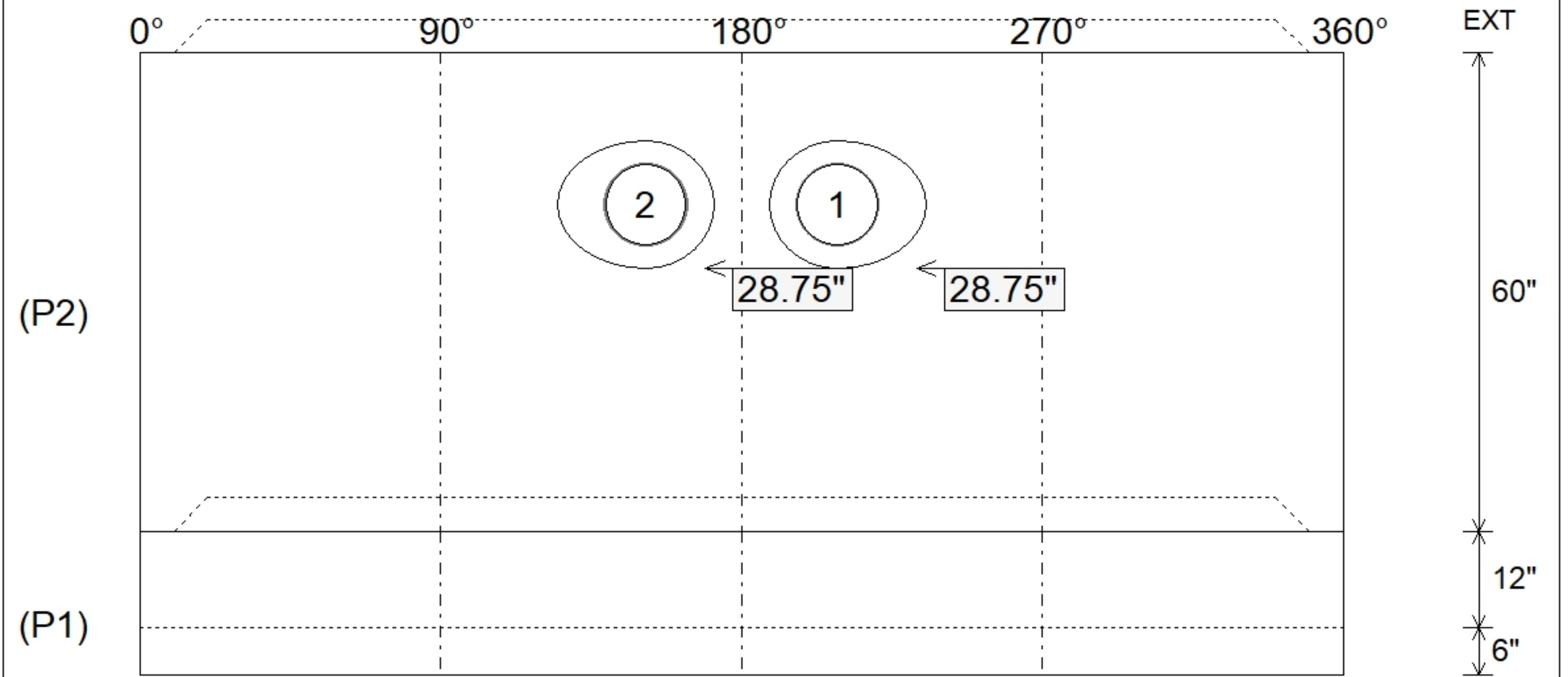
Structure Total:	7575 lb



Position	Elev	Angle	Pipe	Pipe OD	Hole	Connector	Up (")	Ref
Rim	435'							
Reducer								
Invert 1	431.15'	180°	10" PVC SDR35	10.5"	16"	Hole 16	28.75"	P2
Invert 2	431.15'	180°	10" PVC SDR35	10.5"	16"	Hole 16	28.75"	P2
Invert 3								
Invert 4								
Invert 5								
Invert 6								
Invert 7								
Invert 8								



Default - Interior Dimensions



Submittal Drawing
 12/5/2025 11:46:53 AM

SUBMITTAL
 APPROVED BY: