

Job Name: 25-4616 - 781070 Bohannon Tract 5
 Job Location: Louisville, KY
 Contractor: Contech Engineering Solutions

Plant: Beaver Dam

12/4/2025 12:25:42 PM

Tech: J. Coppage

PC: T. Sekula



Structure ID: 15-CS-4

P2 MH048RS60S

MH RISER NO STEPS

- P4) 30" - CASTING HEIGHT - 4"
- P3) 48" - MH FLAT LID w/30in ECC Hole - 12"
- P2) 48" - MH RISER NO STEPS - 60"
- P1) 48" - MH BASE - 12"
- 1) ASSEMBLY REQUIRED
- 1) CVSTENCILING
- 2) 48" - Conseal CS-102 1.00"
- 2) Hole - 16

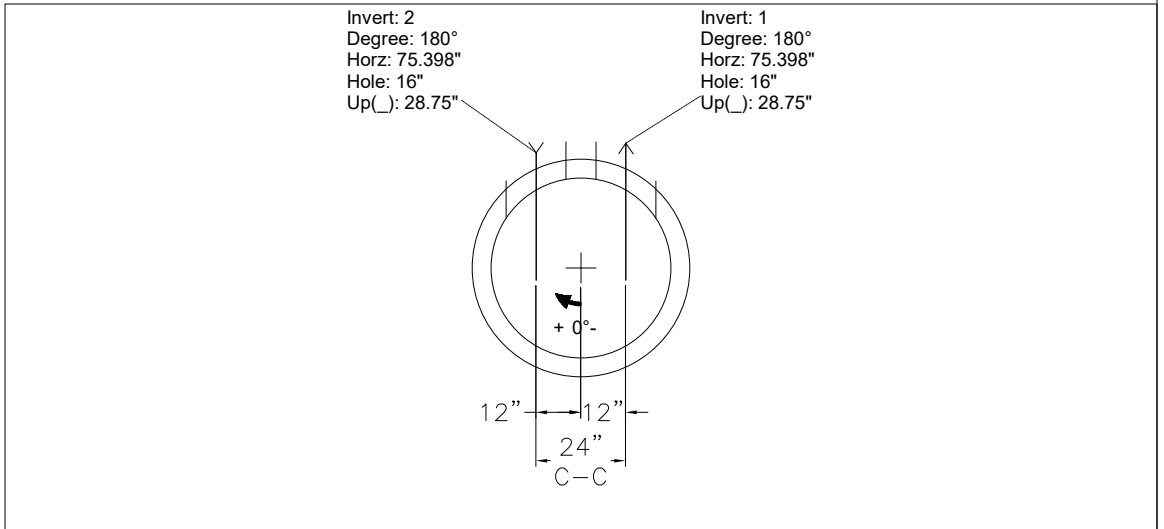
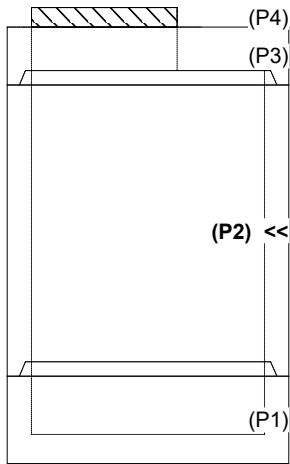
Structure Notes:
 (4" TALL CASTING PROVIDED BY OTHERS)
 ICAST TO INSTALL THE INTERNALS
 CONTECH'S LOGO AS WELL AS THE INLET
 AND THE OUTLET MUST BE STENCILED
 ONTO THE STRUCTURE
 LIFTING ANCHORS TO BE INSTALLED
 ON THE OUTSIDE OF THE STRUCTURE

Structure Total: 7575 lb

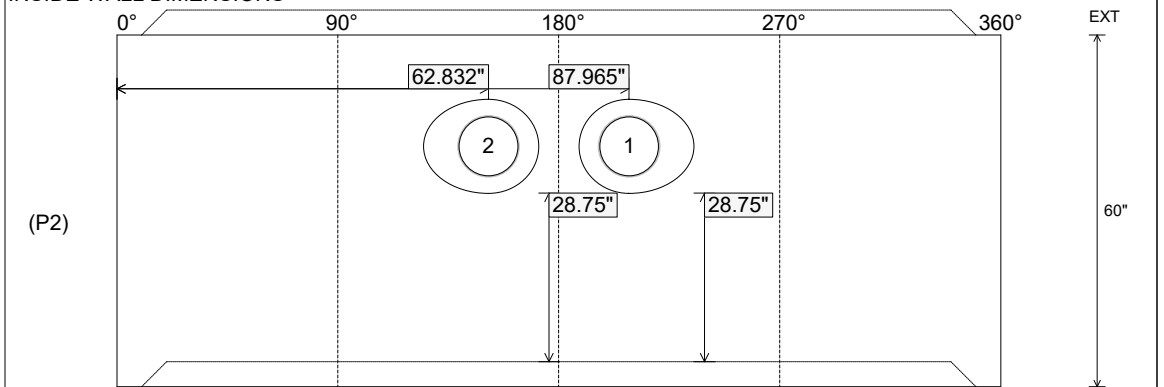
Rim: 435' Rim to Invert: 3.85' Slack: 6.2" Sump: 48" Step Position:

| Position | Elev | Angle | Ext. (cw) | Pipe | Pipe OD | Connector | Hole | Horz Size | Up () | Offset |
|----------|---------|-------|-----------|---------------|---------|-----------|------|-----------|--------|--------|
| Invert 1 | 431.15' | 180° | 103.478" | 10" PVC SDR35 | 10.5" | Hole 16 | 16" | 19.624" | 28.75" | 12" |
| Invert 2 | 431.15' | 180° | 78.734" | 10" PVC SDR35 | 10.5" | Hole 16 | 16" | 19.624" | 28.75" | -12" |
| Invert 3 | | | | | | | | | | |
| Invert 4 | | | | | | | | | | |
| Invert 5 | | | | | | | | | | |
| Invert 6 | | | | | | | | | | |
| Invert 7 | | | | | | | | | | |
| Invert 8 | | | | | | | | | | |

RIGHT-SIDE UP VIEW (int. dimensions)



INSIDE WALL DIMENSIONS



Coating (Int):
 Coating (Ext):

Seam Up: Tongue
 Seam Dn: Groove

Wall Thickness: 5"
 Floor Height: 0"

Height (Int): 60"
 Height (Ext): 60"

Weight (Net): 3993 lb
 Volume (Net): 1.02cu.yd