

Job Name: 25-4616 - 781070 Bohannon Tract 5
Job Location: Louisville, KY
Contractor: Contech Engineering Solutions

PC: T. Sekula
 TECH: J. Coppage
 Plant: Beaver Dam



Structure ID: **10-CS-8**
 Spec: Storm-Pipe Centered
 Type: STM.MH
 Size: 96"

Rim: 438.5'
 Invert: 428.6'
 Rim to Invert: 9.9'

Sump: 82"
 Floor (Top): 421.767'
 Floor Height: 13"

Floor (Bot): 420.683'
 Overall Height: 16.833'
 Slack: 11.8"

Structure Notes:
 (4" TALL CASTING PROVIDED BY OTHERS)

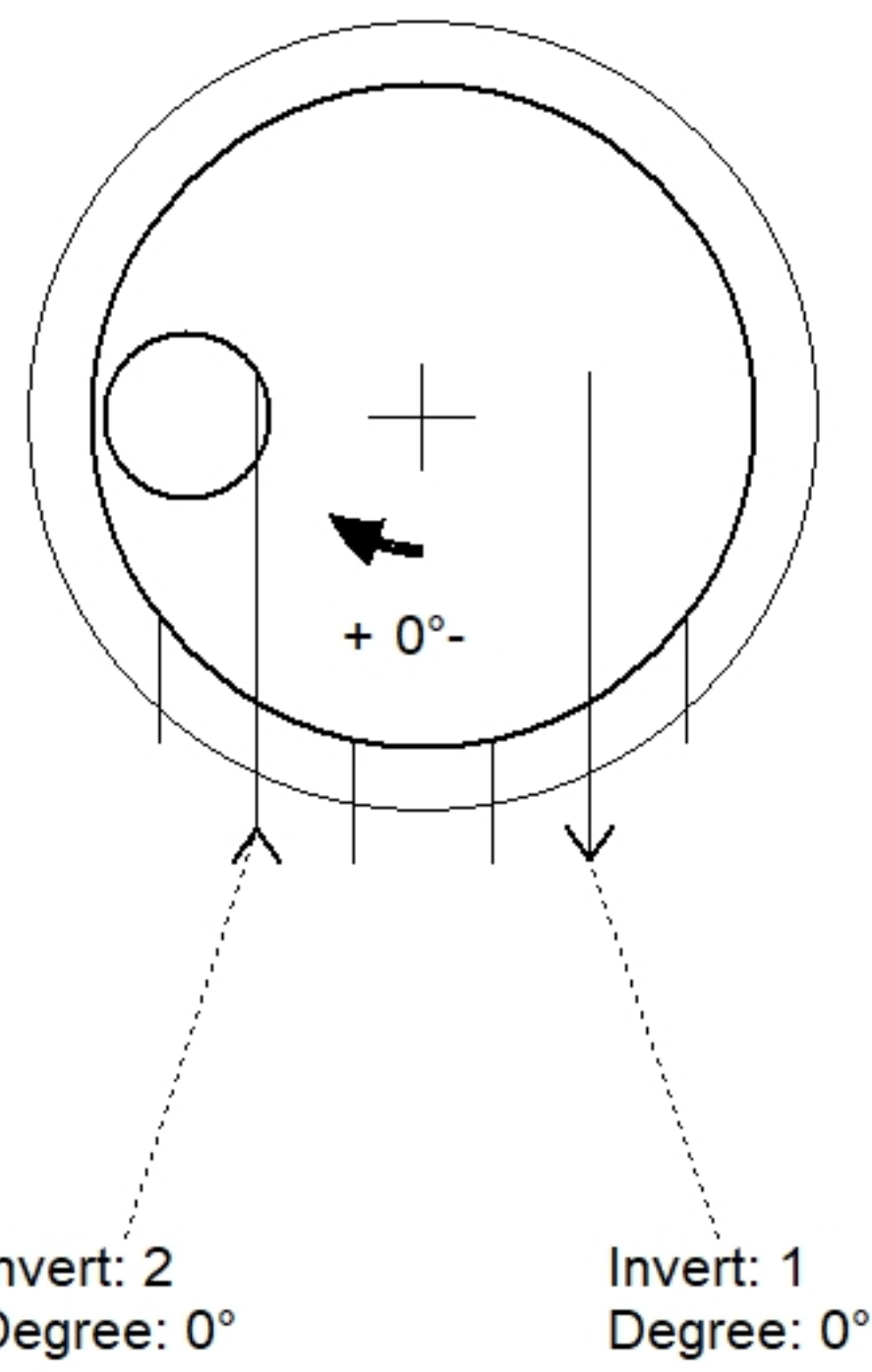
ICAST TO INSTALL THE INTERNALS

CONTECH'S LOGO AS WELL AS THE INLET AND THE OUTLET MUST BE STENCILED ONTO THE STRUCTURE

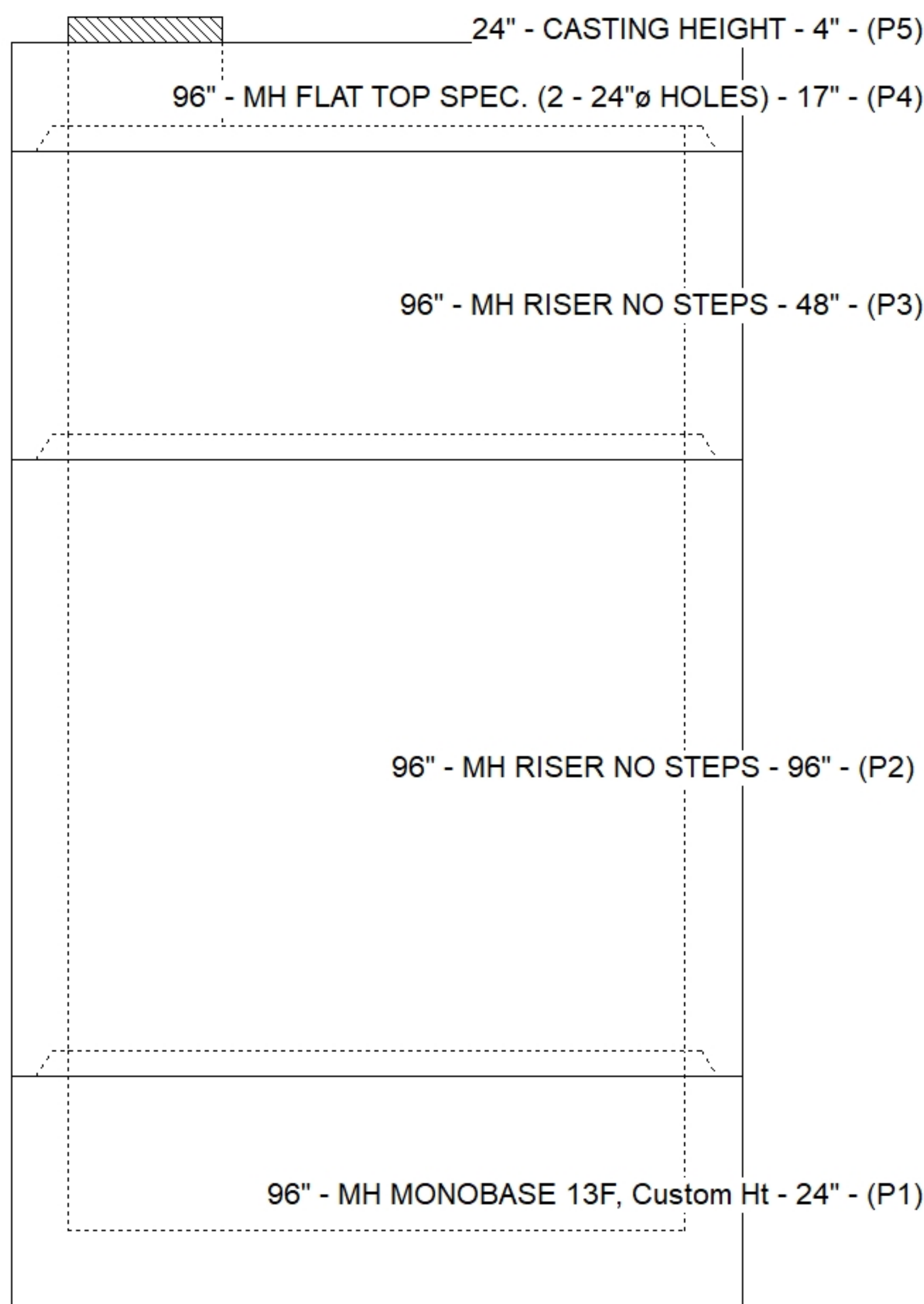
STRUCTURE SUMMARY:

P5) 24" - CASTING HEIGHT - 4"	0 lb
P4) 96" - MH FLAT TOP SPEC. (2 - 24"Ø HOLES) - 17"	10015 lb
P3) 96" - MH RISER NO STEPS - 48"	11958 lb
P2) 96" - MH RISER NO STEPS - 96"	22831 lb
P1) 96" - MH MONOBASE 13F, Custom Ht - 24"	17113 lb
1) ASSEMBLY REQUIRED	0 lb
1) CVSTENCILING	0 lb
3) 96" - Conseal CS-102 1.00"	0 lb
2) Hole - 28	0 lb

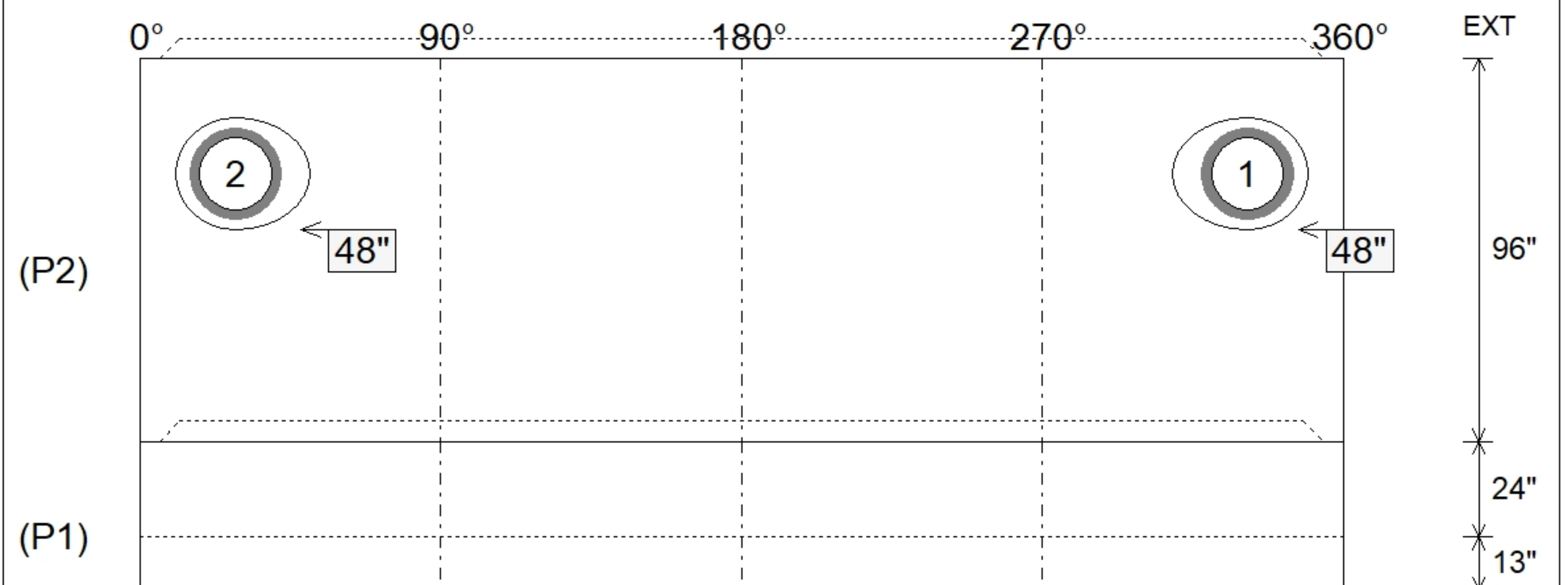
Structure Total:	61916 lb



Position	Elev	Angle	Pipe	Pipe OD	Hole	Connector	Up (")	Ref
Rim	438.5'							
Reducer								
Invert 1	428.6'	0°	18" RCP B WALL	23"	28"	Hole 28	48"	P2
Invert 2	428.6'	0°	18" RCP B WALL	23"	28"	Hole 28	48"	P2
Invert 3								
Invert 4								
Invert 5								
Invert 6								
Invert 7								
Invert 8								



Default - Interior Dimensions



Submittal Drawing
 12/5/2025 11:46:51 AM

SUBMITTAL
 APPROVED BY: