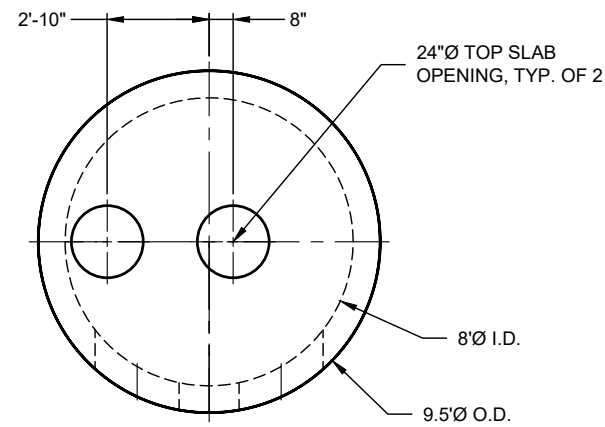
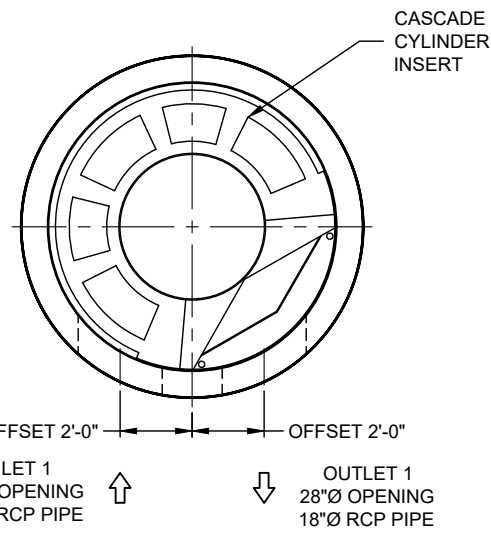


25-4616 - 781070 BOHANNON TRACT 5



INLET 1 ↑ OUTLET 1 ↓
PLAN VIEW
INTERNALS NOT SHOWN



PLAN VIEW FOR PIPE ORIENTATION
TOP SLAB NOT SHOWN

10-CS-8
ICAST to fully pre-assemble
internal materials prior to shipment.

SEE INSTALLATION NOTE A

MATERIAL LIST

| COUNT | DESCRIPTION | PART NUMBER | PROVIDED BY | INSTALLED BY |
|-------|--|-------------|-------------|--------------|
| 1 | CS-8 CYLINDER INSERT, STD. | 325-003952 | CONTECH | PRECASTER |
| 6 | CS-8 ALUMINUM INSTALLATION BRACKETS | 325-003971 | CONTECH | PRECASTER |
| 1 | CS-8 HARDWARE KIT | 325-003970 | CONTECH | PRECASTER |
| 1 | SEALANT FOR JOINTS | | PRECASTER | CONTRACTOR |
| 2 | 24"Ø X 4" FRAME AND COVER, EJ #41600389, OR EQUIV. | 325-000350 | CONTECH | CONTRACTOR |

GENERAL NOTES

- DESIGN LOADING - AASHTO HS-20
- ALL PRECAST CONCRETE MANUFACTURED PARTS SHALL CONFORM TO ASTM C-478, WITH MINIMUM CONCRETE STRENGTH OF 4000 PSI AT 28 DAYS
- JOINT SEALANT SHALL CONFORM TO ASTM C-990 OR ASTM C-443
- GROUND WATER ELEVATION ASSUMED AT OUTLET INVERT
- MANUFACTURING TOLERANCE = +/- 1/2-INCH
- SOME HIDDEN LINES MAY BE OMITTED FOR CLARITY

INSTALLATION NOTES

- PRECASTER TO SHIP ACCESS CASTINGS WITH STRUCTURE
- REFER TO CONTECH ASSEMBLY INSTRUCTIONS FOR ADDITIONAL INFORMATION.
- PRECASTER TO INSTALL INTERNAL COMPONENTS PRIOR TO SHIPPING UNLESS INSTRUCTED OTHERWISE BY CONTECH
- PIPE OPENINGS SHALL BE STENCILED "INLET" OR "OUTLET" AS APPROPRIATE
- APPLYING ALIGNMENT MARKS ON ALL PIECES OF MULTIPLE PIECE ASSEMBLIES IS ENCOURAGED
- IF STRUCTURE IS DELIVERED IN MULTIPLE SECTIONS, EACH PIECE SHALL BE LABELED WITH THE CONTECH PROJECT NUMBER, SEQUENCE NUMBER AND SITE DESIGNATION

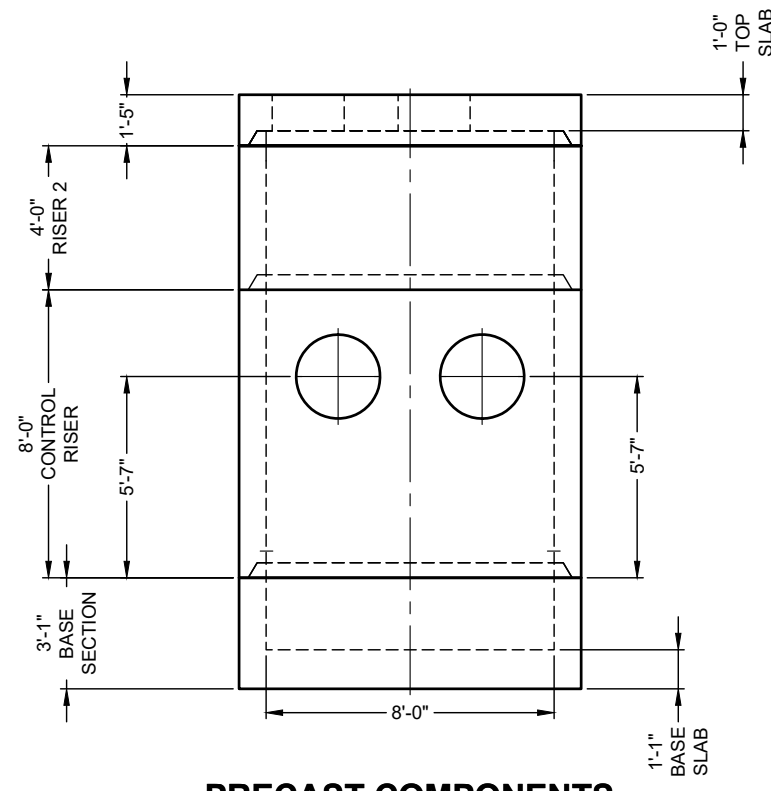
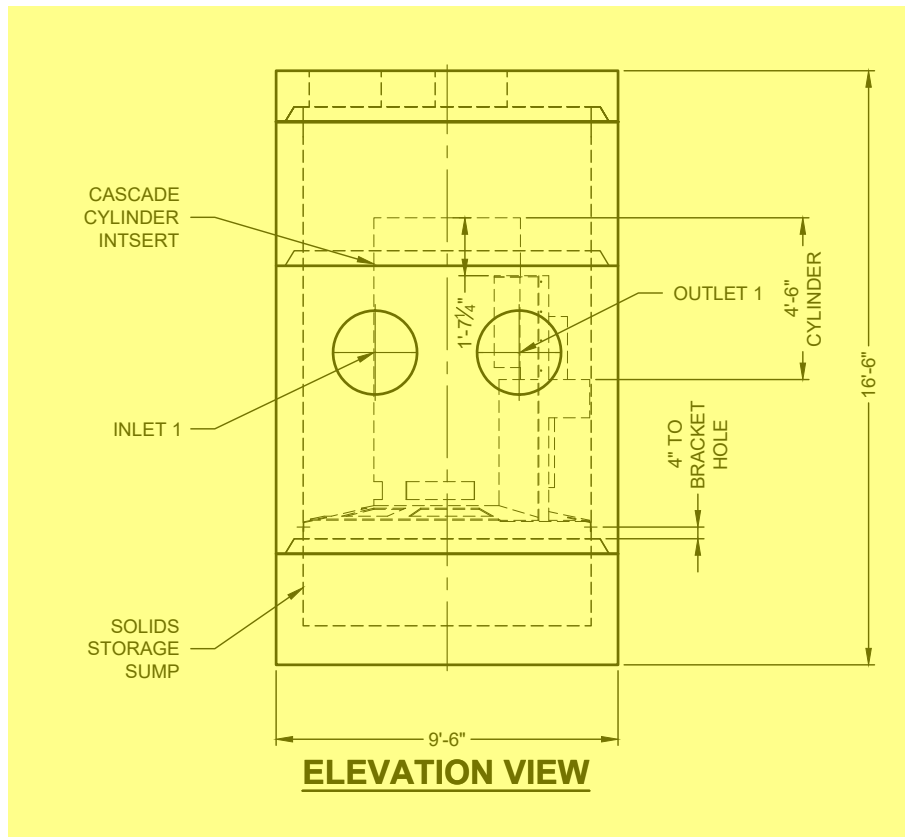
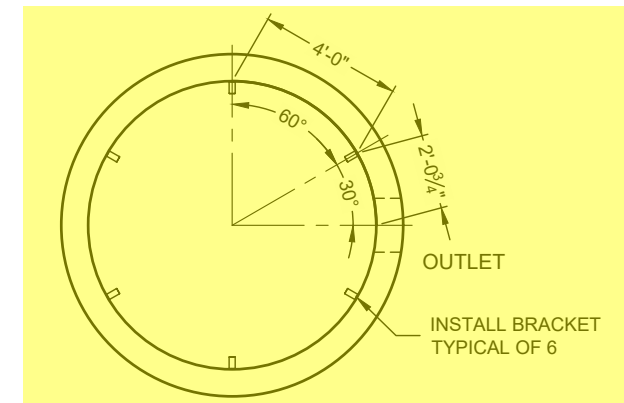
SITE INFORMATION

RIM ELEV. = 438.5+/-
TOP OF STRUCTURE = 437.18
INLET PIPE 1 INVERT ELEV. = 428.60
INLET PIPE 1 DIAMETER AND MATERIAL = 18"Ø RCP
OUTLET PIPE INVERT ELEV. = 428.60
OUTLET PIPE DIAMETER AND MATERIAL = 18"Ø RCP
OUTSIDE BOTTOM OF STRUCTURE ELEV. = 420.68

STRUCTURE WEIGHT

APPROXIMATE HEAVIEST PICK = 25000 LBS.
STRUCTURE IS DELIVERED IN 4 PIECES

TOP SLAB = 11000 LBS.
RISER 2 = 13000 LBS.
CONTROL RISER = 25000 LBS.
BASE SECTION = 19000 LBS.



ICAST
5888 / 757440
LAYOUT 1A
32.41TS

CONTECH
FABRICATION
DRAWING

SUPPORT BRACKET LAYOUT PLAN VIEW

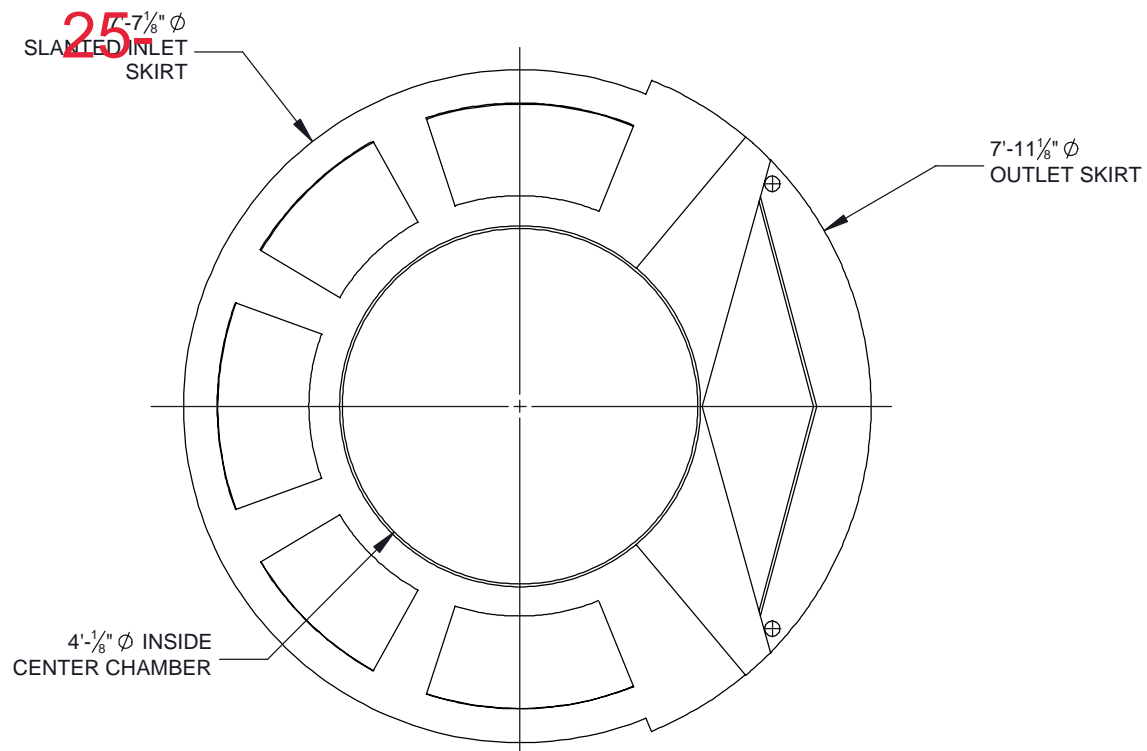
The design and information shown on this drawing is the property of CONTECH Construction Products Inc. or one of its affiliated companies ("CONTECH"). Neither this drawing, nor any part thereof, may be used, reproduced, or transmitted in any form or by any means, electronic or mechanical, including photocopying, recording, or by any information storage and retrieval system, without the prior written consent of CONTECH. Failure to comply with these terms and conditions shall constitute an acknowledgment of the user's own risk and CONTECH expressly disclaims any liability or responsibility for such use. If discrepancies between the supplied information upon which the drawing is based and actual field conditions are encountered at site work, progress, these are encouraged as site work progresses, these are to be immediately reported to CONTECH. CONTECH immediately for re-evaluation of the design. CONTECH accepts no liability for designs based on missing, incomplete or inaccurate information supplied by others.

| MARK | DATE | REVISION DESCRIPTION | BY |
|------|------|----------------------|----|
| | | | |
| | | | |
| | | | |

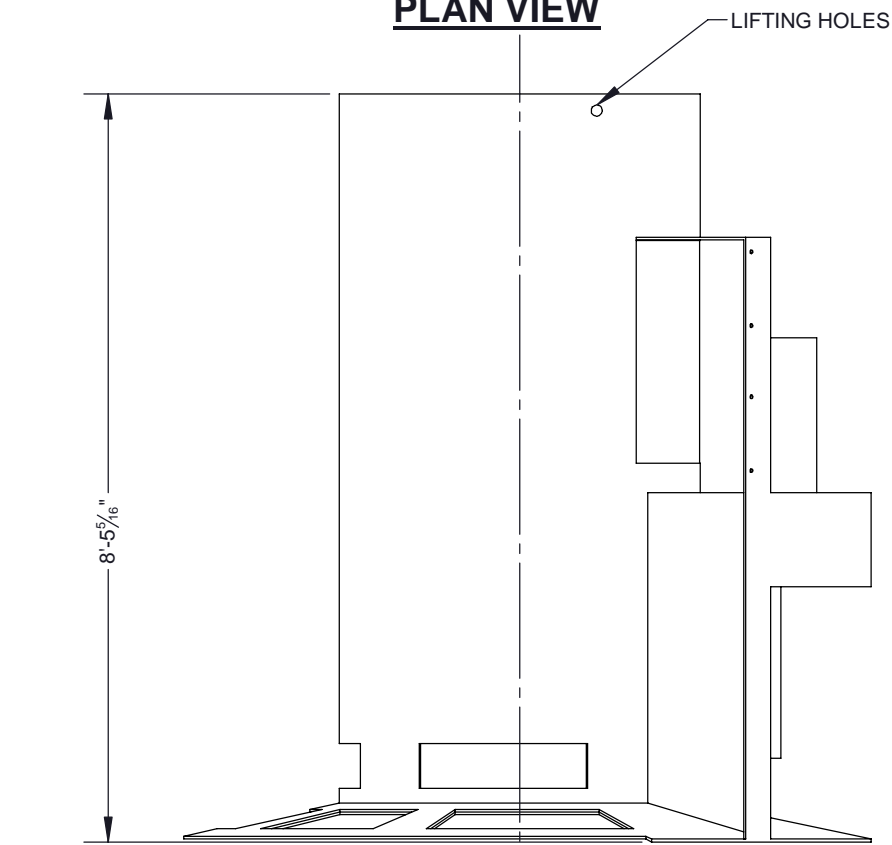
CS-8 - 781070-10
BOHANNON - TRACT 5
LOUISVILLE, KY
SITE DESIGNATION: WQU #5-1

CONTECH
ENGINEERED SOLUTIONS LLC
A CONTECH COMPANY
810 Centre Pointe Dr., Suite 403, West Chester, OH 45380
800.338.1122 513.645.7000 513.645.7833 FAX
CASCADE separator
FOR PATENT INFORMATION, GO TO www.contech.com/PP

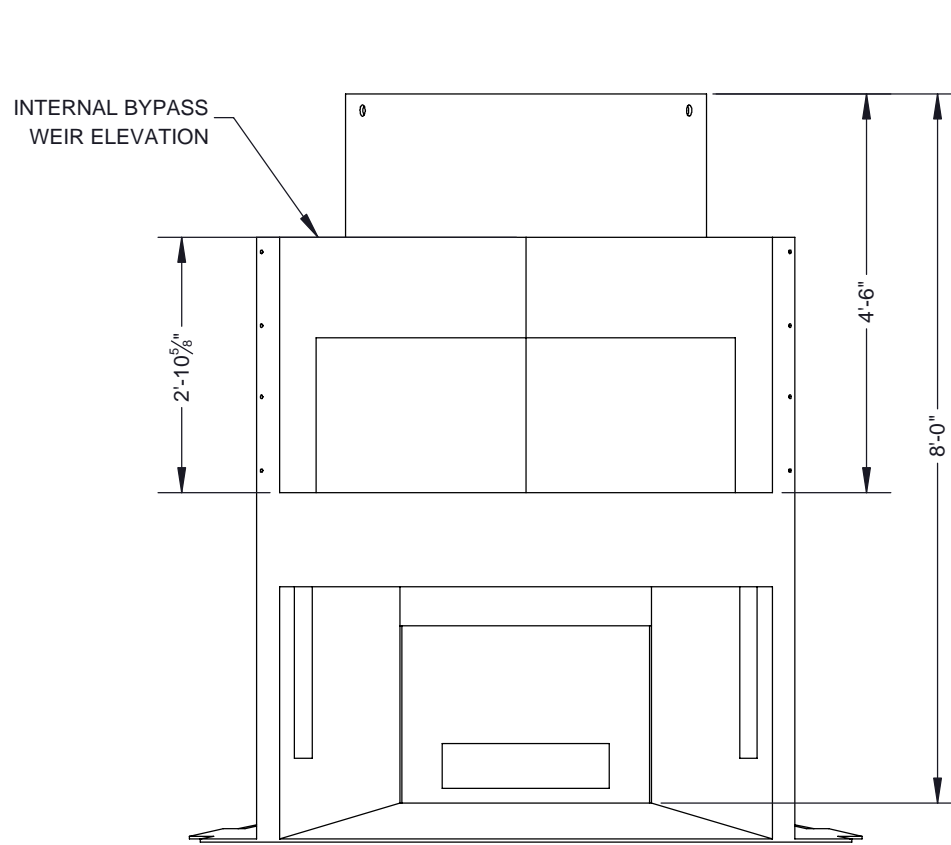
| | | | |
|--------------|------------|---------------|-----|
| DATE: | 11/20/2025 | | |
| DESIGNED: | MDB | DRAWN: | MDB |
| CHECKED: | LJK | APPROVED: | MDB |
| PROJECT No.: | 781070 | SEQUENCE No.: | 10 |
| SHEET: | 1 | OF | 1 |



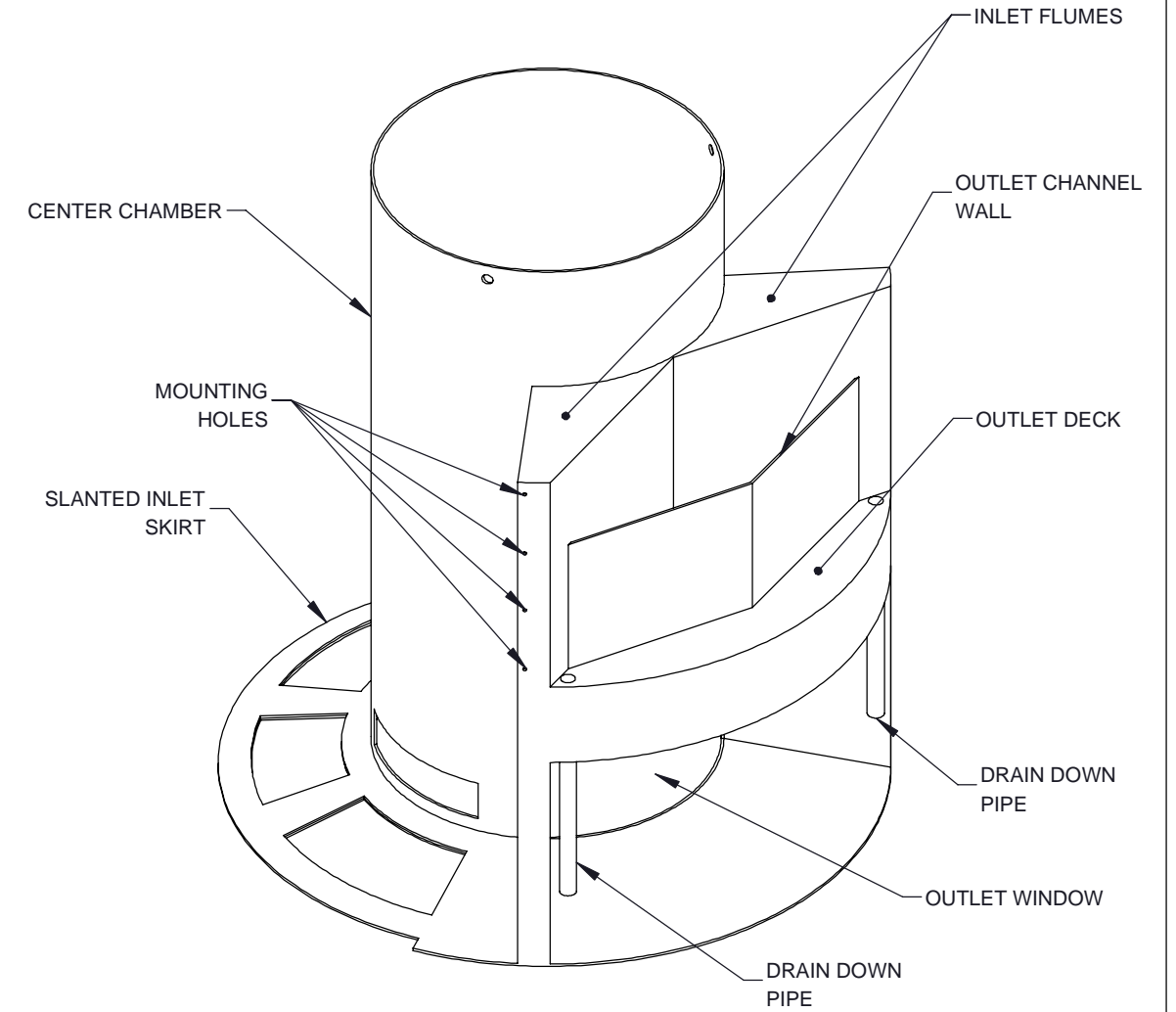
PLAN VIEW



ELEVATION VIEW



ELEVATION VIEW: OUTLET SIDE



ISOMETRIC VIEW

NOTES:
1. SEE CASCADE SEPARATOR INSTALLATION GUIDE FOR ADDITIONAL INFORMATION

The design and information shown on this drawing is provided as a service to the project owner, engineer and contractor by Contech Engineered Solutions LLC, or one of its affiliated companies ("Contech"). Neither this drawing, nor any part thereof, may be used, reproduced or modified in any manner without the prior written consent of Contech. Failure to comply is done at the user's own risk and Contech expressly disclaims any liability or responsibility for such use.

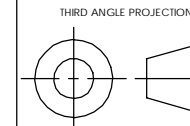
If discrepancies between the supplied information upon which the drawing is based and actual field conditions are encountered as site work progresses, these discrepancies must be reported to Contech immediately for re-evaluation of the design. Contech accepts no liability for designs based on missing, incomplete or inaccurate information supplied by others.

CASCADE
separator™

CONTECH
ENGINEERED SOLUTIONS LLC
www.ContechES.com

9025 Centre Pointe Dr., Suite 400, West Chester, OH 45069
800-338-1122 513-645-7000 513-645-7993 FAX

REFERENCE DETAIL
INTERNALS CS-8
CASCADE SEPARATOR



UNLESS OTHERWISE SPECIFIED
DIMENSIONS ARE IN INCHES

TOLERANCES:
FRACTIONAL ± 1/16
ANGLES ± 1 DEGREE
TWO PLACE DECIMAL ± 0.06
THREE PLACE DECIMAL ± 0.030

| | |
|---------------------------------|------------------------------|
| PART NUMBER: 325-003952 | |
| APPROVED BY: M. BROOKS | DRAWN BY: J. BELL |
| APPROVED BY DATE: 2021.10.21 | DRAWN BY DATE: 2021.09.15 |
| SCALE: N/A | REV: C |
| SHEET 1 OF 1 | |