

Job Name: 25-4616 - 781070 Bohannon Tract 5
 Job Location: Louisville, KY
 Contractor: Contech Engineering Solutions

Plant: Beaver Dam

12/4/2025 12:25:41 PM

Tech: J. Coppage

PC: T. Sekula



Structure ID: 10-CS-8

P2 MH096RS96

MH RISER NO STEPS

- P5) 24" - CASTING HEIGHT - 4"
- P4) 96" - MH FLAT TOP SPEC. (2 - 24"Ø HOLES) - 17"
- P3) 96" - MH RISER NO STEPS - 48"
- P2) 96" - MH RISER NO STEPS - 96"
- P1) 96" - MH MONOBASE 13F, Custom Ht - 24"
- 1) ASSEMBLY REQUIRED
- 1) CVSTENCILING
- 3) 96" - Conseal CS-102 1.00"
- 2) Hole - 28

0 lb
 10015 lb
 11958 lb
 22831 lb
 17113 lb
 0 lb
 0 lb
 0 lb
 0 lb

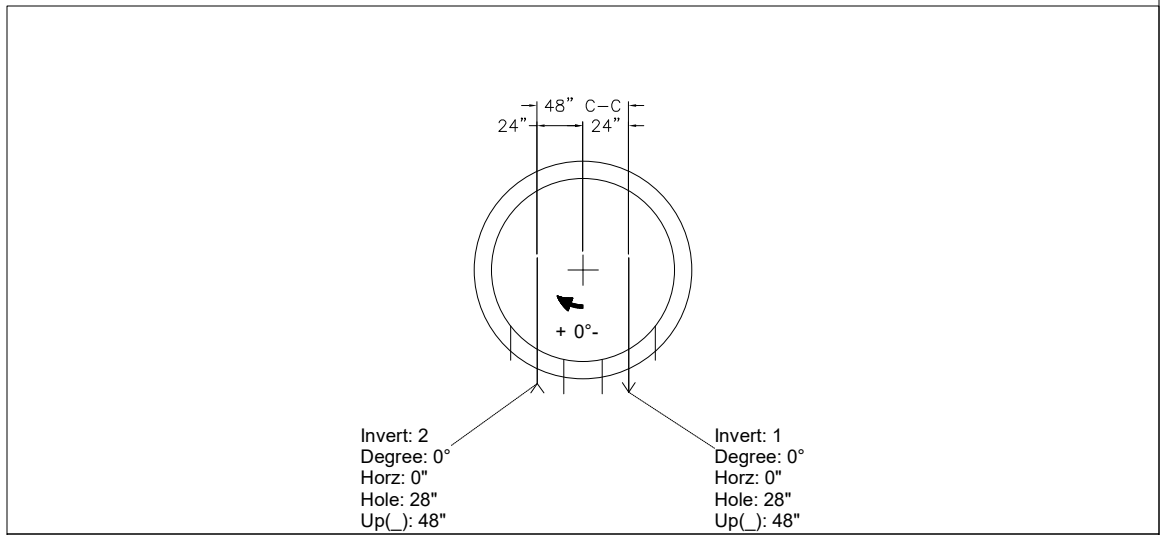
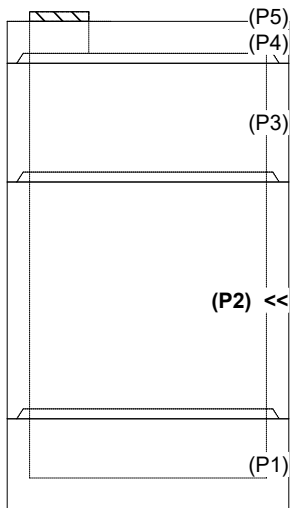
 Structure Total: 61916 lb

Structure Notes:
 (4" TALL CASTING PROVIDED BY OTHERS)
 ICAST TO INSTALL THE INTERNALS
 CONTECH'S LOGO AS WELL AS THE INLET
 AND THE OUTLET MUST BE STENCILED
 ONTO THE STRUCTURE

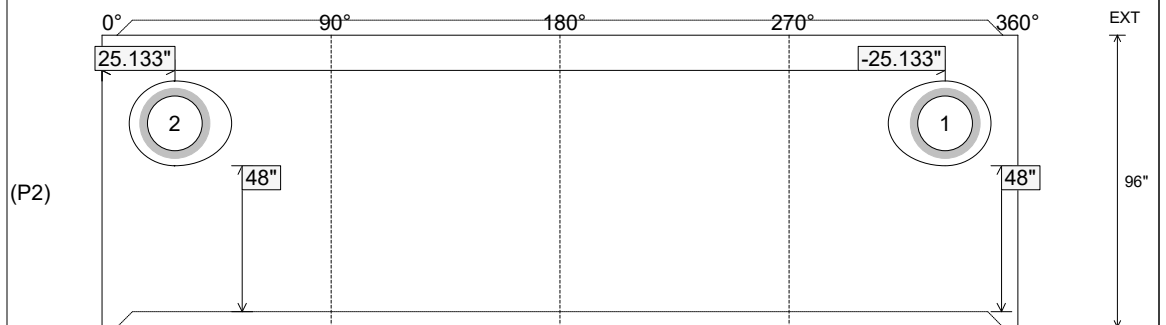
Rim: 438.5' Rim to Invert: 9.9' Slack: 11.8' Sump: 82" Step Position:

Position	Elev	Angle	Ext. (cw)	Pipe	Pipe OD	Connector	Hole	Horz Size	Up ()	Offset
Invert 1	428.6'	0°	-24.773"	18" RCP B WALL	23"	Hole 28	28"	33.776"	48"	-24"
Invert 2	428.6'	0°	24.773"	18" RCP B WALL	23"	Hole 28	28"	33.776"	48"	24"
Invert 3										
Invert 4										
Invert 5										
Invert 6										
Invert 7										
Invert 8										

RIGHT-SIDE UP VIEW (int. dimensions)



INSIDE WALL DIMENSIONS



Coating (Int):
 Coating (Ext):

Seam Up: Tongue
 Seam Dn: Groove

Wall Thickness: 9"
 Floor Height: 0"

Height (Int): 96"
 Height (Ext): 96"

Weight (Net): 22831 lb
 Volume (Net): 5.83cu.yd