

**Job Name: 25-4613 - 875407 Conrad Lane**  
**Job Location: Burlington, KY**  
**Contractor: Contech Engineering Solutions**

PC: T. Sekula  
 TECH: J. Coppage  
 Plant: Beaver Dam



Structure ID: **10-SCX-04**

Spec: Storm-Pipe Centered  
 Type: STM.MH  
 Size: 48"

Rim: 870.5'  
 Invert: 861.69'  
 Rim to Invert: 8.81'

Sump: 57"  
 Floor (Top): 856.94'  
 Floor Height: 6"

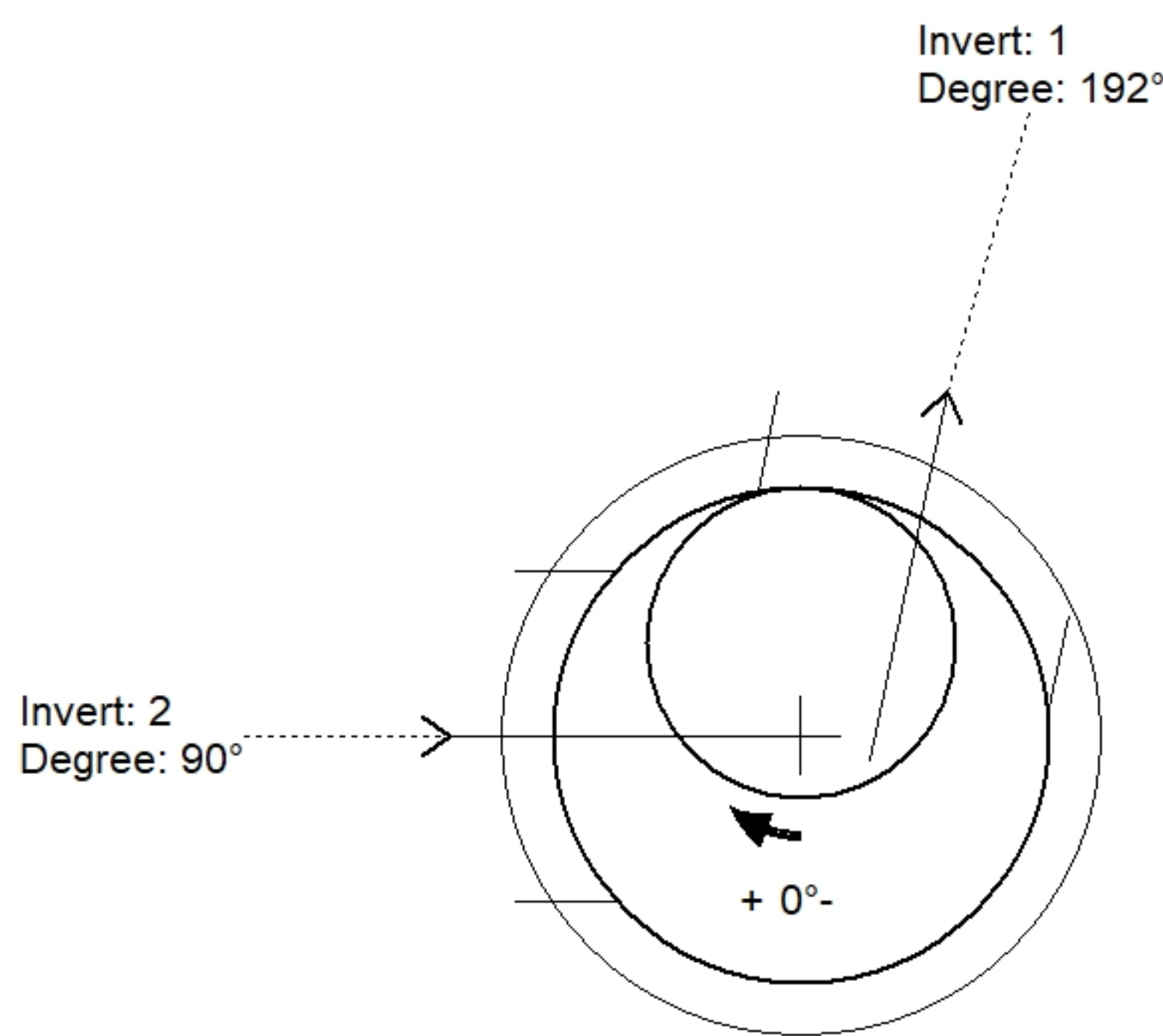
Floor (Bot): 856.44'  
 Overall Height: 13.333'  
 Slack: 8.72"

Structure Notes:

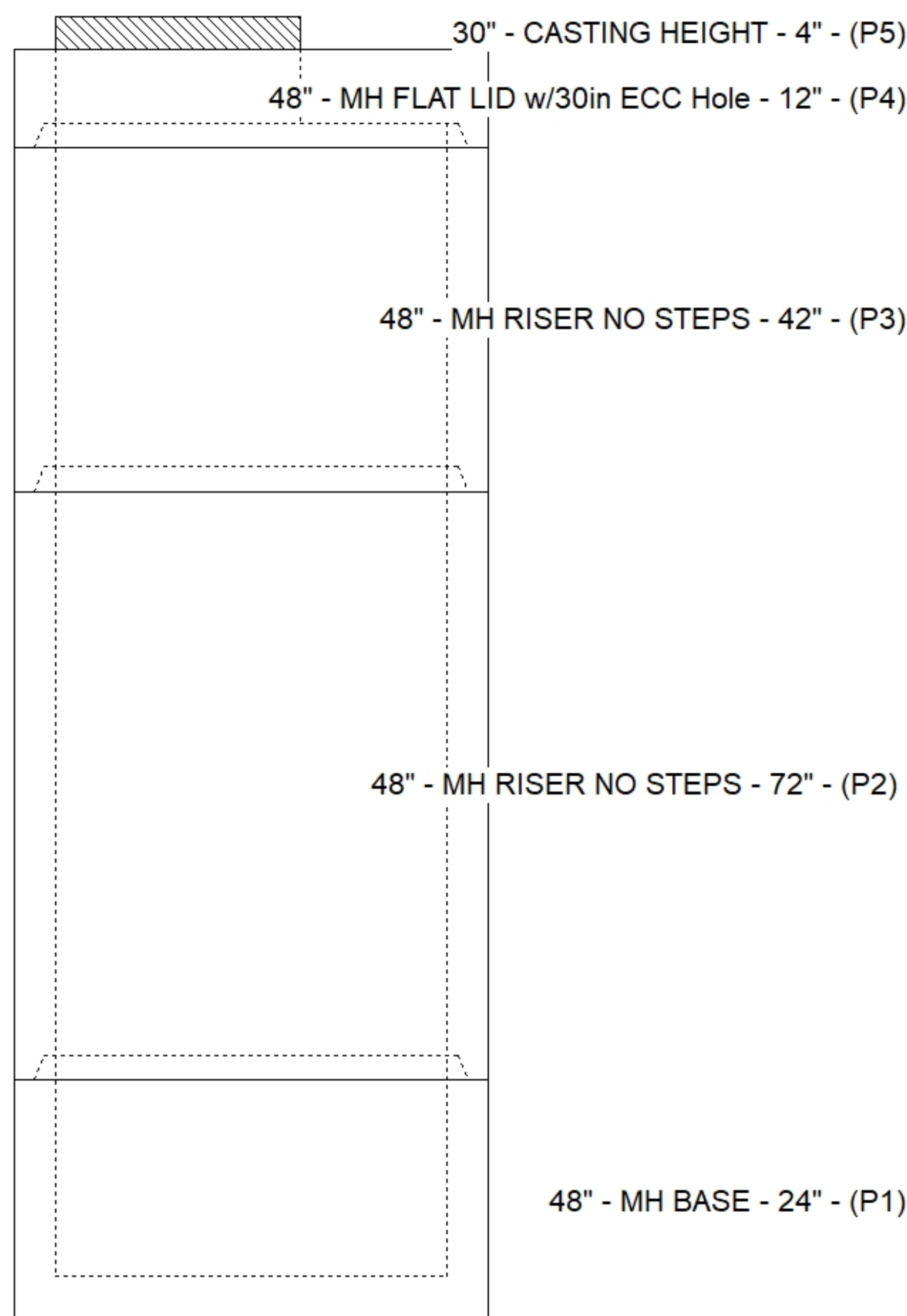
(4" CASTING BY OTHERS)  
 LIFTING ANCHORS TO BE INSTALLED ON THE OUTSIDE OF THE STRUCTURE  
 ICAST TO INSTALL THE INTERNALS  
 CONTECH'S LOGO AS WELL AS THE INLET AND THE OUTLET MUST BE STENCILED ONTO THE STRUCTURE

STRUCTURE SUMMARY:

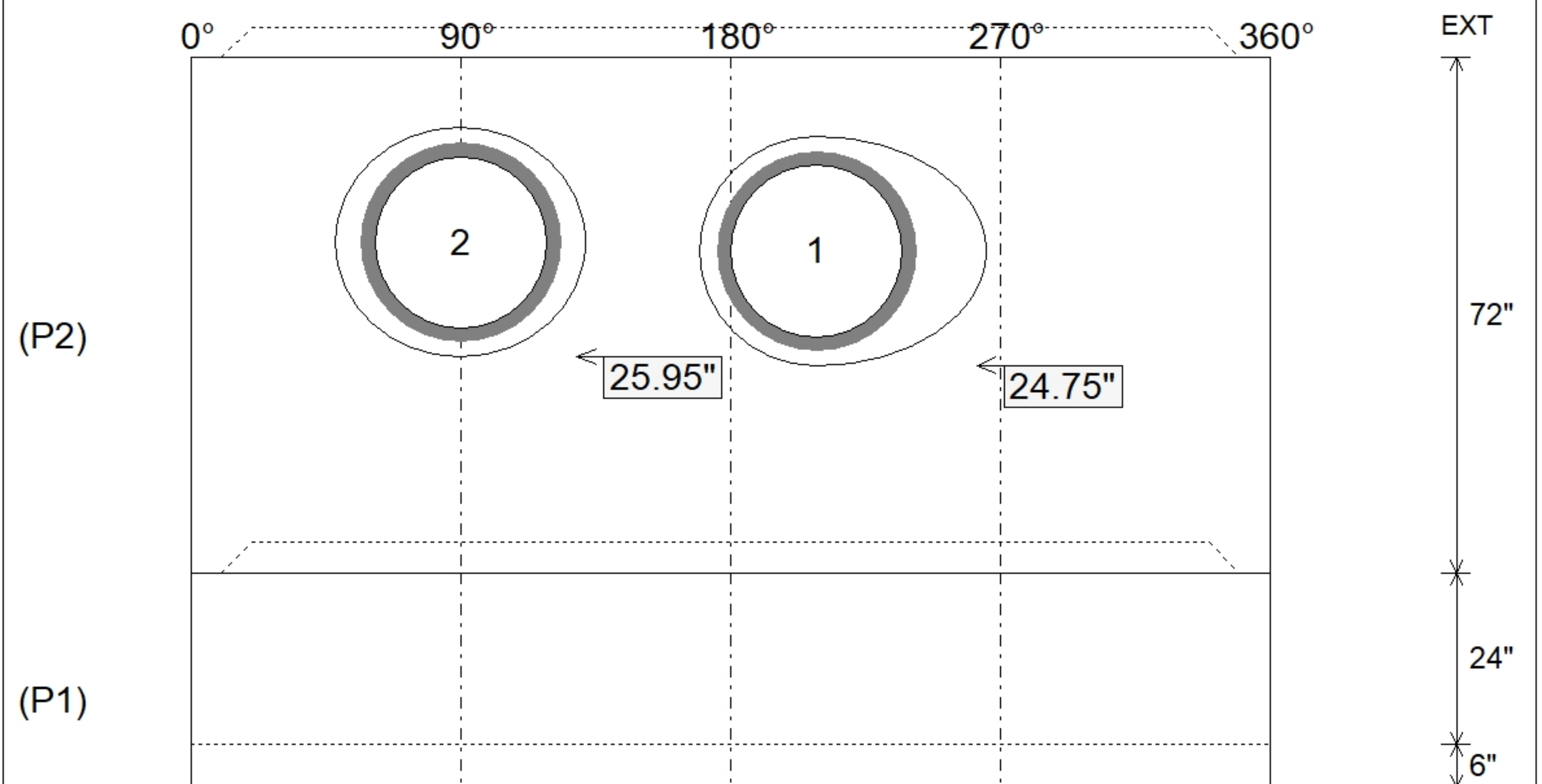
P5) 30" - CASTING HEIGHT - 4"	0 lb
P4) 48" - MH FLAT LID w/30in ECC Hole - 12"	1413 lb
P3) 48" - MH RISER NO STEPS - 42"	2934 lb
P2) 48" - MH RISER NO STEPS - 72"	4267 lb
P1) 48" - MH BASE - 24"	3007 lb
1) ASSEMBLY REQUIRED	0 lb
1) CVSTENCILING	0 lb
3) 48" - Conseal CS-102 1.00"	0 lb
2) Hole - 32	0 lb
	-----
Structure Total:	11622 lb



Position	Elev	Angle	Pipe	Pipe OD	Hole	Connector	Up (")	Ref
Rim	870.5'							
Reducer								
Invert 1	861.69'	192°	24" HDPE	27.8"	32"	Hole 32	24.75"	P2
Invert 2	861.79'	90°	24" HDPE	27.8"	32"	Hole 32	25.95"	P2
Invert 3								
Invert 4								
Invert 5								
Invert 6								
Invert 7								
Invert 8								



Default - Interior Dimensions



Submittal Drawing  
 12/10/2025 2:28:50 PM

SUBMITTAL  
 APPROVED BY: