

Job Name: 25-4613 - 875407 Conrad Lane
 Job Location: Burlington, KY
 Contractor: Contech Engineering Solutions

Plant: Beaver Dam

12/9/2025 1:57:17 PM

Tech: J. Coppage

PC: T. Sekula



Structure ID: 10-SCX-04

P2 MH048RS72S

MH RISER NO STEPS

- P5) 30" - CASTING HEIGHT - 4"
- P4) 48" - MH FLAT LID w/30in ECC Hole - 12"
- P3) 48" - MH RISER NO STEPS - 42"
- P2) 48" - MH RISER NO STEPS - 72"
- P1) 48" - MH BASE - 24"
- 1) ASSEMBLY REQUIRED
- 1) CVSTENCILING
- 3) 48" - Conseal CS-102 1.00"
- 2) Hole - 32

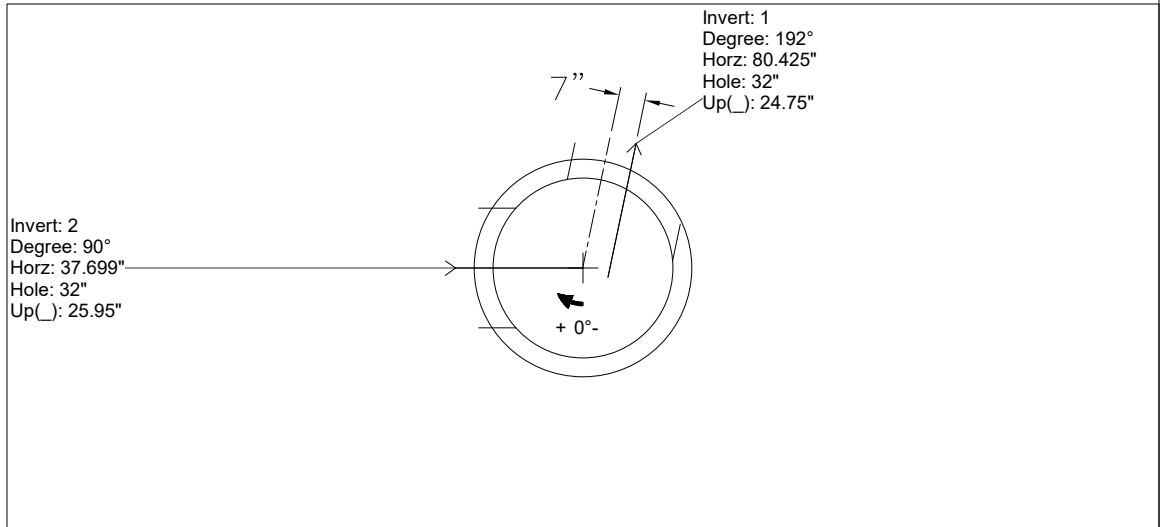
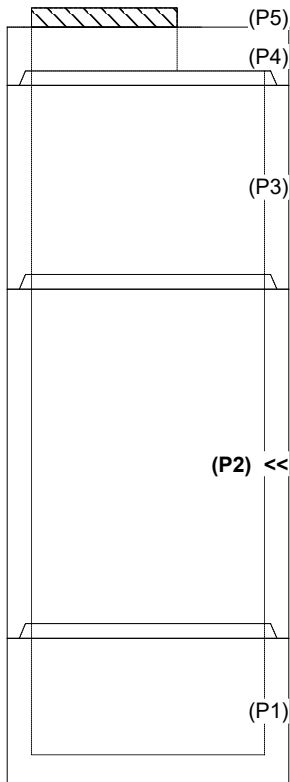
Structure Notes:
 (4" CASTING BY OTHERS)
 LIFTING ANCHORS TO BE INSTALLED ON THE OUTSIDE OF THE STRUCTURE
 ICAST TO INSTALL THE INTERNALS
 CONTECH'S LOGO AS WELL AS THE INLET AND THE OUTLET MUST BE STENCILED ONTO THE STRUCTURE

Structure Total: 11622 lb

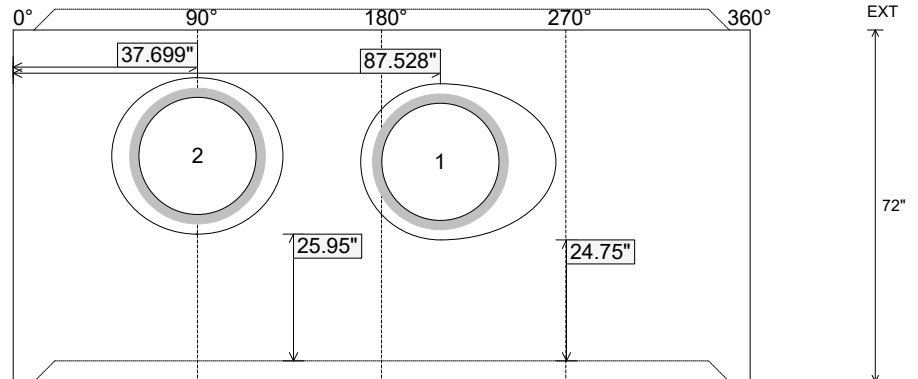
Rim: 870.5' Rim to Invert: 8.81' Slack: 8.72" Sump: 57" Step Position:

Position	Elev	Angle	Ext. (cw)	Pipe	Pipe OD	Connector	Hole	Horz Size	Up ()	Offset
Invert 1	861.69'	192°	104.25"	24" HDPE	27.8"	Hole 32	32"	39.972"	24.75"	7"
Invert 2	861.79'	90°	45.553"	24" HDPE	27.8"	Hole 32	32"	35.027"	25.95"	0"
Invert 3										
Invert 4										
Invert 5										
Invert 6										
Invert 7										
Invert 8										

RIGHT-SIDE UP VIEW (int. dimensions)



INSIDE WALL DIMENSIONS



Coating (Int): Coating (Ext):	Seam Up: Tongue Seam Dn: Groove	Wall Thickness: 5" Floor Height: 0"	Height (Int): 72" Height (Ext): 72"	Weight (Net): 4267 lb Volume (Net): 1.09cu.yd
----------------------------------	------------------------------------	--	--	--