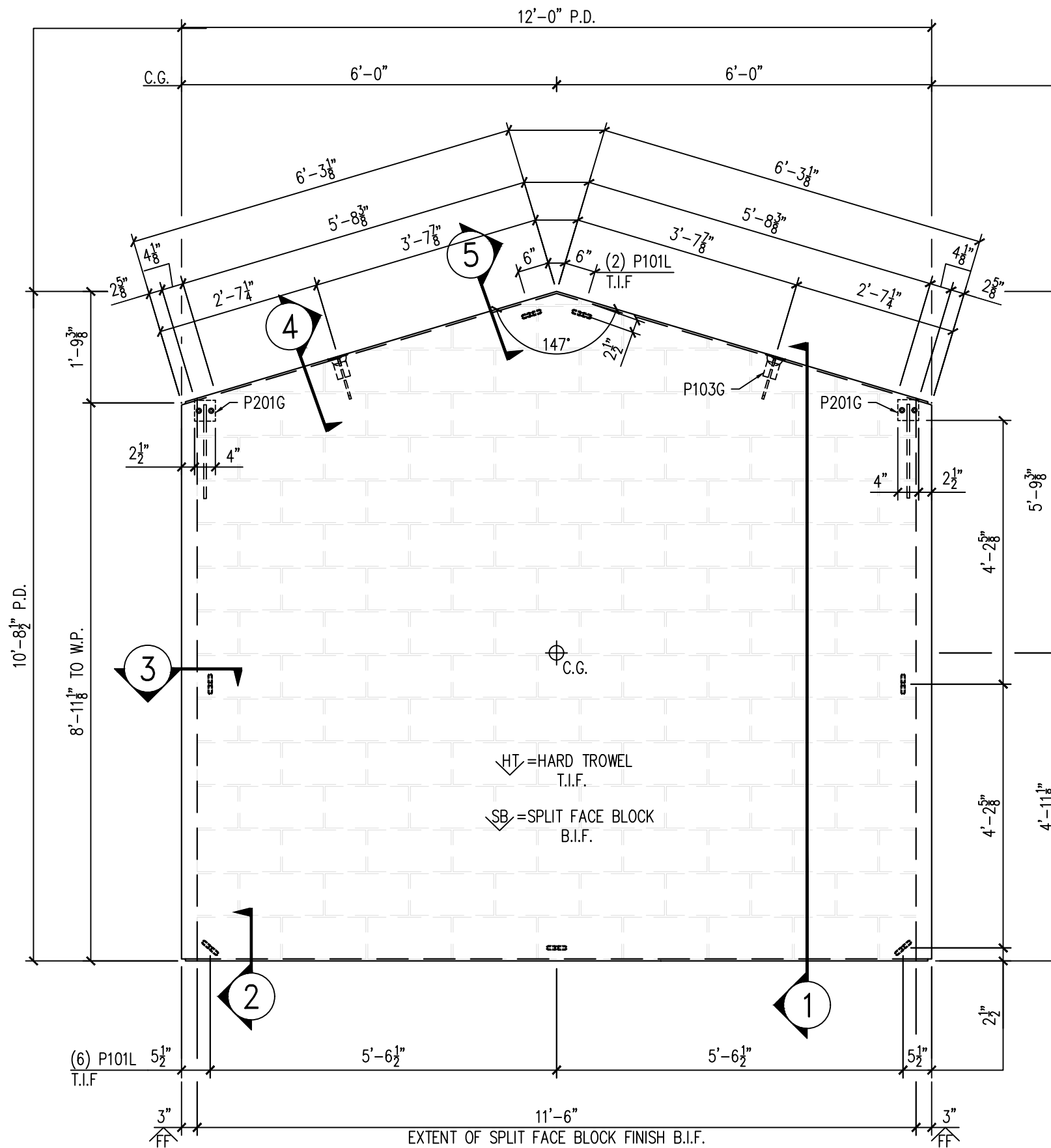
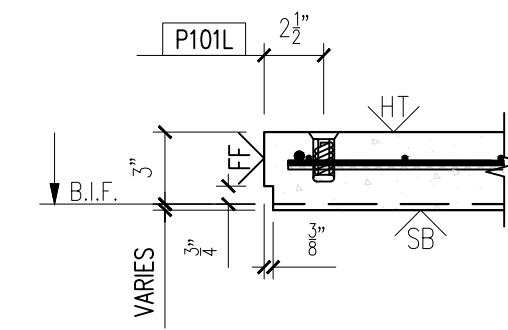
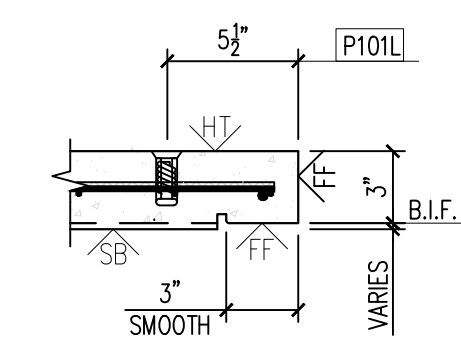
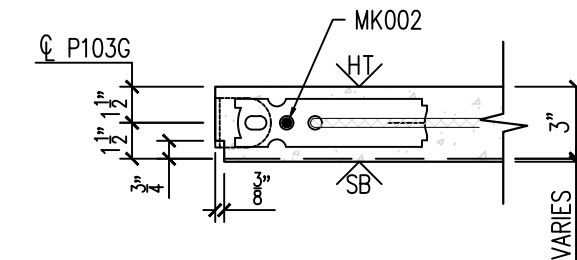
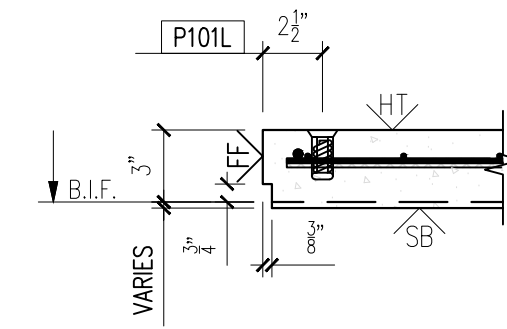
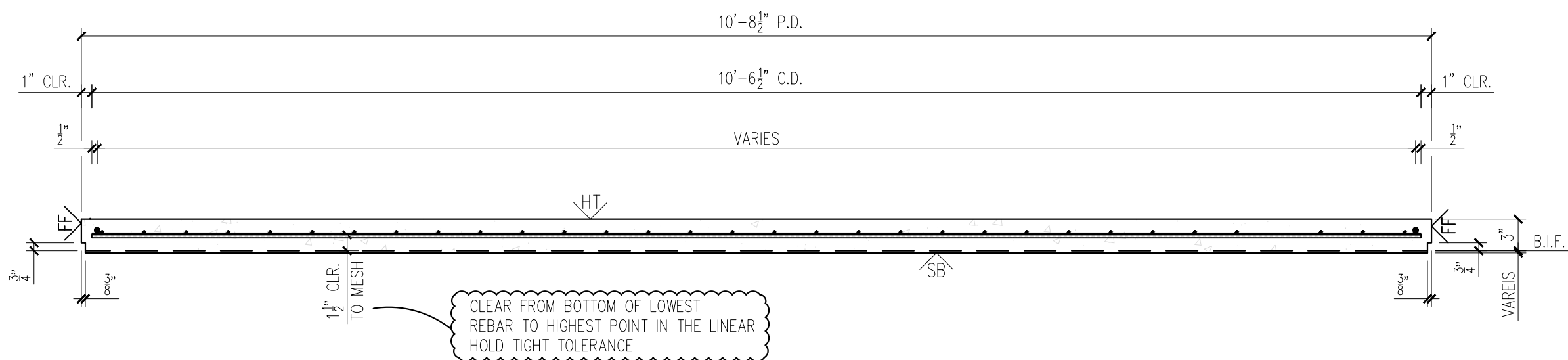


25-4604 - Nashville Road Sewer Interceptor  
 Precast Building  
 Product ID - CVW  
 BACK WALL - BKPG-12  
 Weight - 4,790 LBS Each  
 1 Required

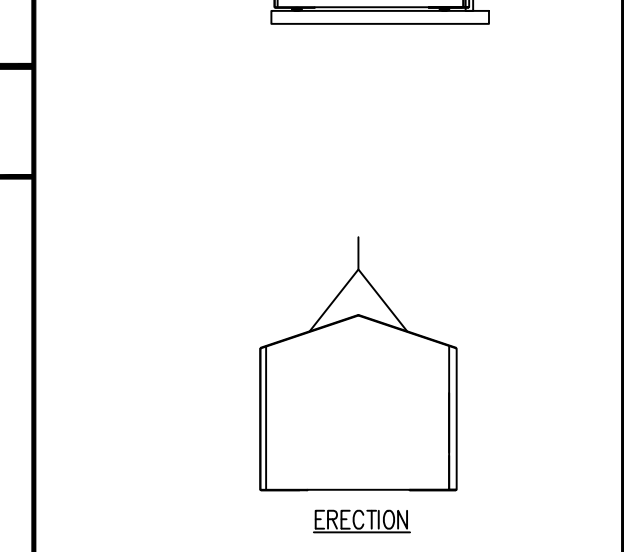
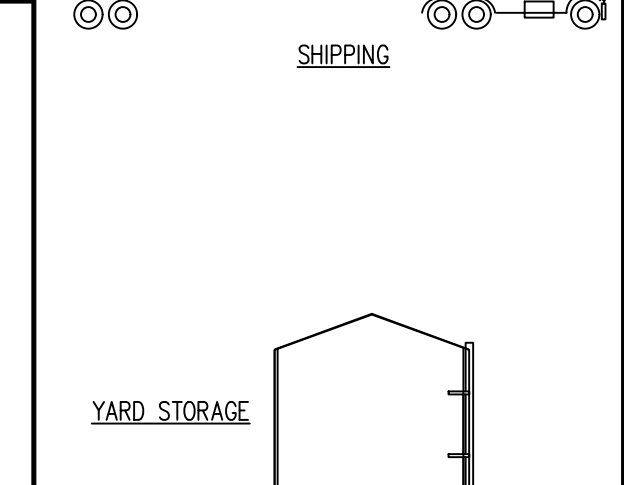
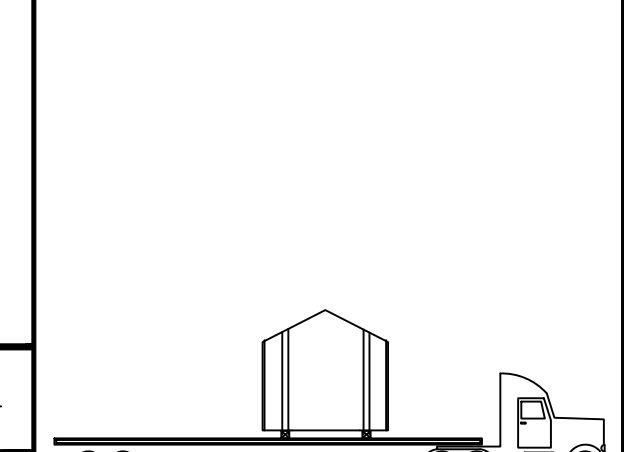
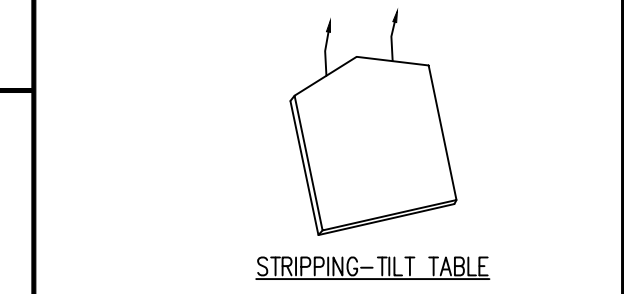


BACK WALL FORM VIEW  
 SCALE: 1/2" = 1'-0"



| BILL OF MATERIALS |   |      |
|-------------------|---|------|
| MARK #            | DESCRIPTION   | QTY. |
| P101L             | 2" x 1 1/2" F-63 FLARED THIN SLAB COIL INSERT (ELECTROPLATED)         | 7    |
| P103G             | 2 TON TECH ERECTION ANCHOR (GALV.)                                    | 2    |
| P201G             | 4" x 4" x 3/8" W/(2) 3/8" x 1 1/2" H.A.S. W/ 1'-4" BENT REBAR (GALV.) | 1    |

HANDLING INSTRUCTIONS



| CONCRETE INSTRUCTIONS |              |
|-----------------------|--------------|
| CONCRETE RELEASE @    | 2,500 P.S.I. |
| CONCRETE @ 28 DAYS:   | 5,000 P.S.I. |

| CONCRETE MIXES   |                    |
|------------------|--------------------|
| CONCRETE - GRAY  | VOLUME = 1.18 C.Y. |
| CONCRETE - MIX 1 | VOLUME = - C.Y.    |
| CONCRETE - MIX 2 | VOLUME = - C.Y.    |
| SOFT SOUND       | VOLUME = - C.Y.    |
| TOTALS           | VOLUME = 1.18 C.Y. |
| WEIGHT:          | 4,790 LBS.         |

FINISHING INSTRUCTIONS

|                              |                         |
|------------------------------|-------------------------|
| SB = SPLIT FACE BLOCK FINISH |                         |
| FF = FORM FINISH             |                         |
| HT = HARD TROWEL FINISH      |                         |
| H = 10'-8 1/2"               | SQ.FT.(T.I.F.) = 117.79 |
| W = 12'-0"                   | SQ.FT.(T.I.F.) = -      |
| D = 3"                       | SQ.FT.(T.I.F.) = -      |

| CONTROL NUMBERS: |  |
|------------------|--|
|                  |  |

| PRODUCT      | SALES ORDER NUMBER |
|--------------|--------------------|
| BUILDING     | -                  |
| SHEET NUMBER | NUMBER REQUIRED    |
| 1 OF 2       | 1                  |

MESSAGE CENTER

- REFER TO DETAILS AND SECTION FOR REINFORCEMENT PLACEMENT
- SHOP TICKET SHOWS EXTERIOR FINISH CAST FACE DOWN

CHECKED BY: \_\_\_\_\_ DATE: \_\_\_\_\_  
 APPROVED BY: \_\_\_\_\_ DATE: \_\_\_\_\_

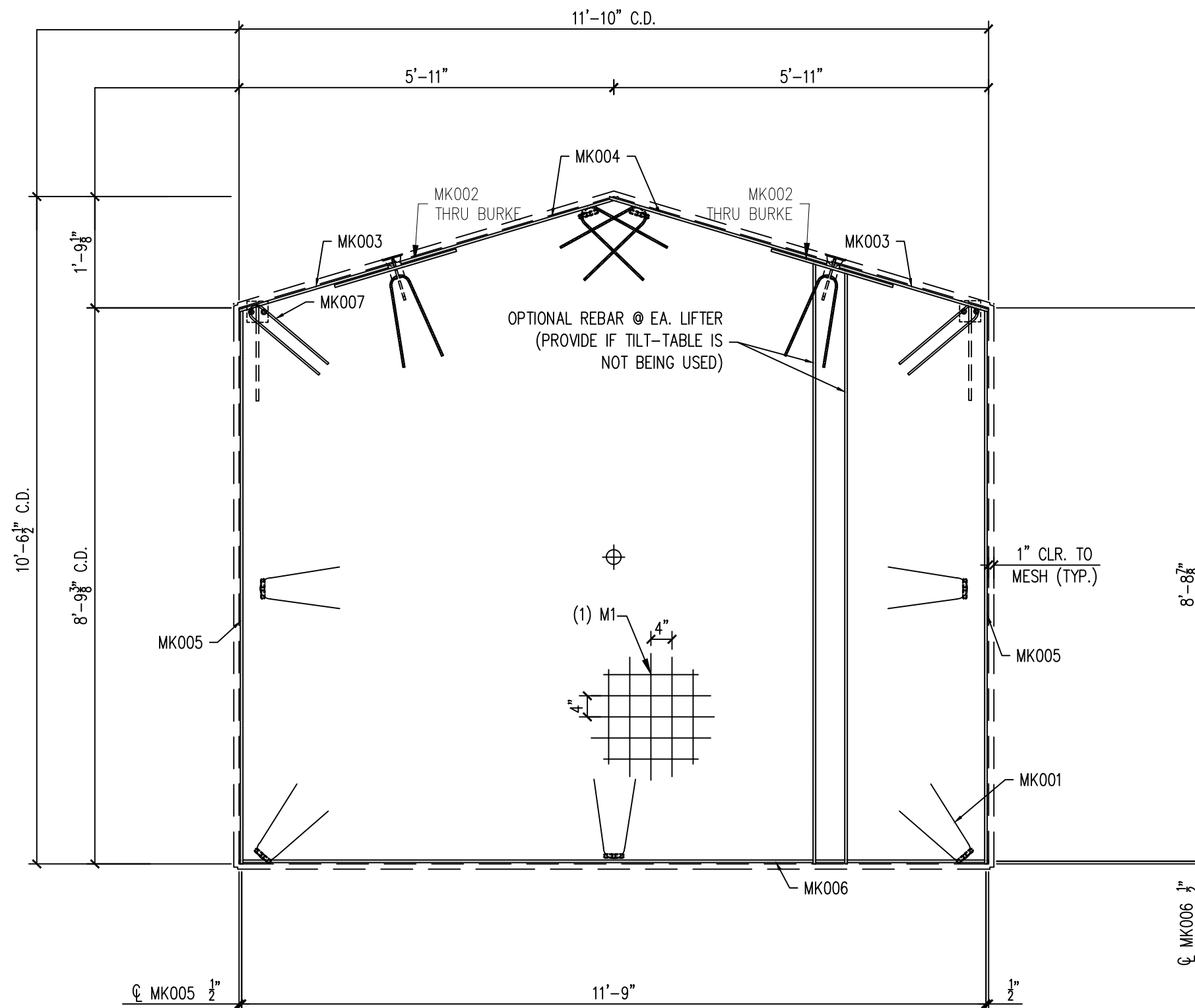
**EASI-SET® WORLDWIDE**  
 5119 Cattlett Rd. • Midland, VA 22728 • info@EasiSet.com  
 www.EasiSet.com • 800-547-4045 • Fax 540-439-2541

| REV | INI. | DESCRIPTION | DATE |
|-----|------|-------------|------|
|     |      |             |      |

PROJECT: 12'x12' STANDARD EASI-SET GABLED BUILDING  
 NASHVILLE ROAD INTERCEPTOR  
 BOWLING GREEN, KY  
 CONTRACTOR: INFINITY PIPELINE, LLC/WARREN COUNTY WATER DISTRICT

|            |          |
|------------|----------|
| SCALE      | NTS      |
| DRAWN BY   | FTL      |
| CHECK BY   | WCR      |
| ISSUE DATE | 03.30.26 |
| PIECE MARK | BKPG-12  |

25-4604 - Nashville Road Sewer Interceptor  
 Precast Building  
 Product ID - CVW  
**BACK WALL - BKPG-12**  
 Weight - 4,790 LBS Each  
 1 Required



**BACK WALL REINFORCING**  
 SCALE:  $\frac{1}{2}'' = 1'-0''$

| REINFORCING SCHEDULE |                |      |
|----------------------|----------------|------|
| MARK #               | DESCRIPTION    | QTY. |
| MK001                | #3 X 3'-0"     | 9    |
| MK002                | #3 X 2'-0"     | 2    |
| MK003                | #3 X 2'-5 1/4" | 2    |
| MK004                | #3 X 3'-7"     | 2    |
| MK005                | #3 X 8'-9 1/4" | 2    |
| MK006                | #3 X 11'-10"   | 1    |
| MK007                | #3 X 3'-1"     | 2    |

| MESH SCHEDULE |                                      |      |
|---------------|--------------------------------------|------|
| MARK #        | DESCRIPTION                          | QTY. |
| M1            | W4XW4 4"X4" WWF 11'-10" X 10'-6 1/2" | 1    |

| REV  | DESCRIPTION | DATE |
|------|-------------|------|
| INI. |             |      |
| Δ    |             |      |
| Δ    |             |      |
| Δ    |             |      |
| Δ    |             |      |

PROJECT: 12'x12' STANDARD EASI-SET GABLED BUILDING  
 NASHVILLE ROAD INTERCEPTOR  
 BOWLING GREEN, KY  
 CONTRACTOR: INFINITY PIPELINE, LLC/WARREN COUNTY WATER DISTRICT

**MESSAGE CENTER**

1. REFER TO DETAILS AND SECTION FOR REINFORCEMENT PLACEMENT

2. SUPPLEMENTAL STEEL FOR STRIPPING AND HANDLING MAY BE ADDED AS REQUIRED.

**NOTE:**

1. CONSTRUCT REBAR-MESH CAGE ACCORDING TO THE DRAWINGS. SECURE LIFTING APPARATUS TO FORM AND ADD PROPER REINFORCEMENT. PLACE REBAR-MESH CAGE AND HAIRPINS AT INSERTS WITH PROPER CLEARANCES (PER DRAWINGS).

CHECKED BY: \_\_\_\_\_ DATE: \_\_\_\_\_  
 APPROVED BY: \_\_\_\_\_ DATE: \_\_\_\_\_

|                     |                      |
|---------------------|----------------------|
| PRODUCT BUILDING    | SALES ORDER NUMBER - |
| SHEET NUMBER 2 OF 2 | NUMBER REQUIRED 1    |

|                     |
|---------------------|
| SCALE NTS           |
| DRAWN BY FTL        |
| CHECK BY WCR        |
| ISSUE DATE 03.30.26 |
| PIECE MARK BKRG-12  |

**EASI-SET® WORLDWIDE**  
 5119 Catlett Rd. • Midland, VA 22728 • info@EasiSet.com  
 www.EasiSet.com • 800-547-4045 • Fax 540-439-2541