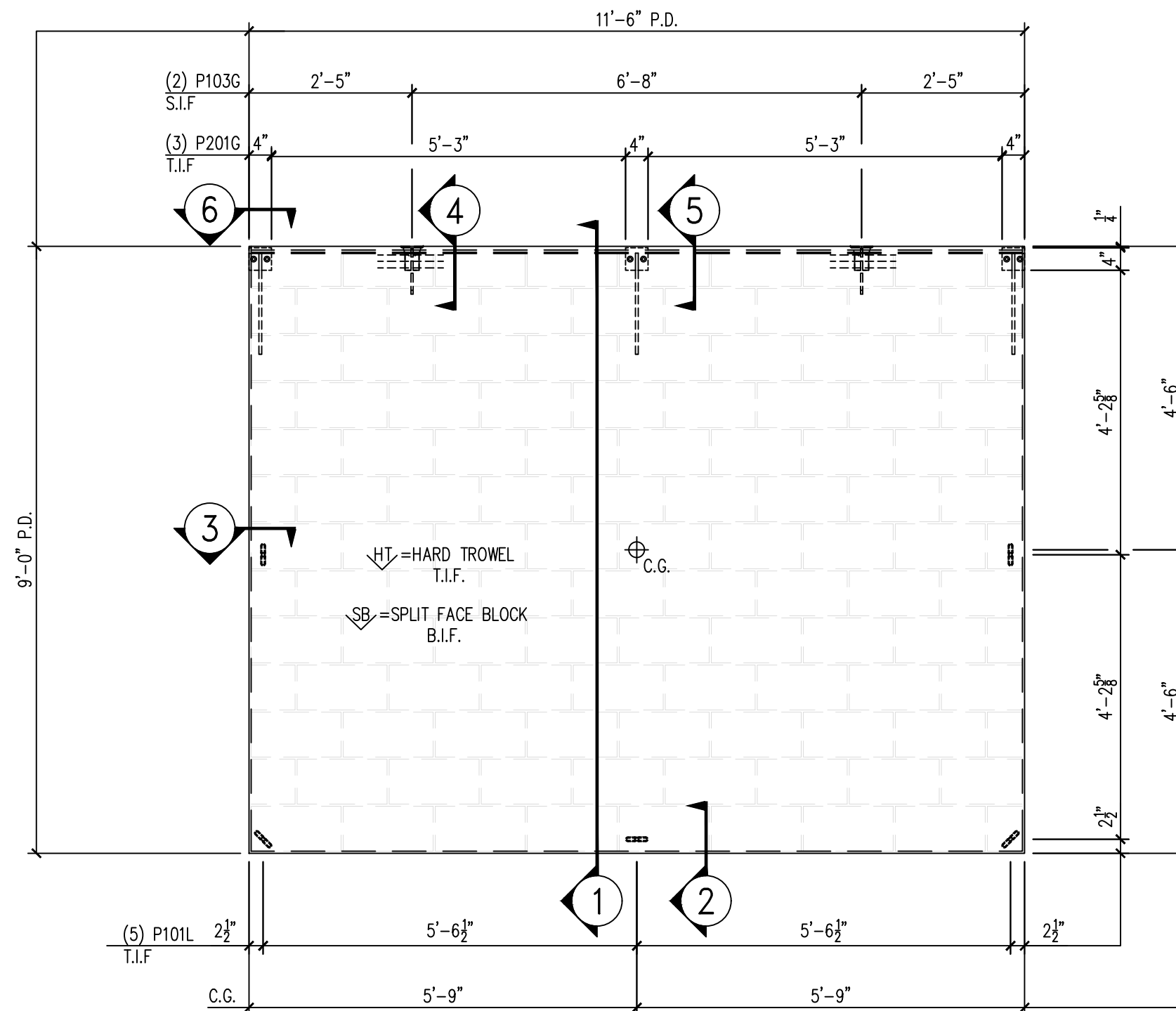
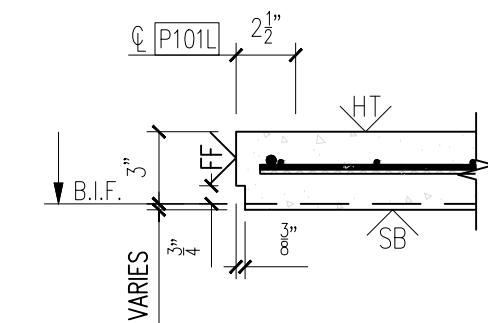
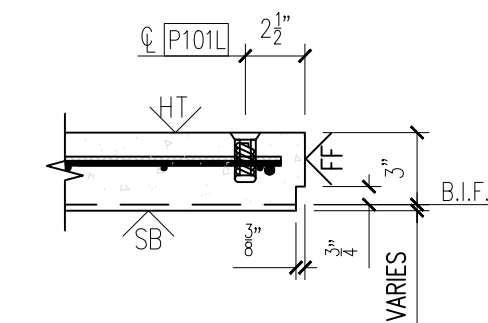
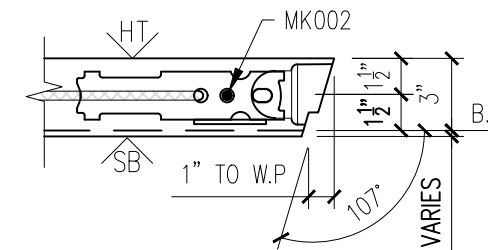
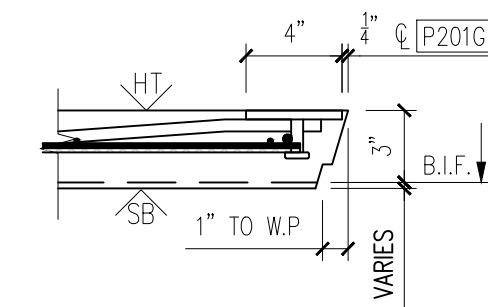
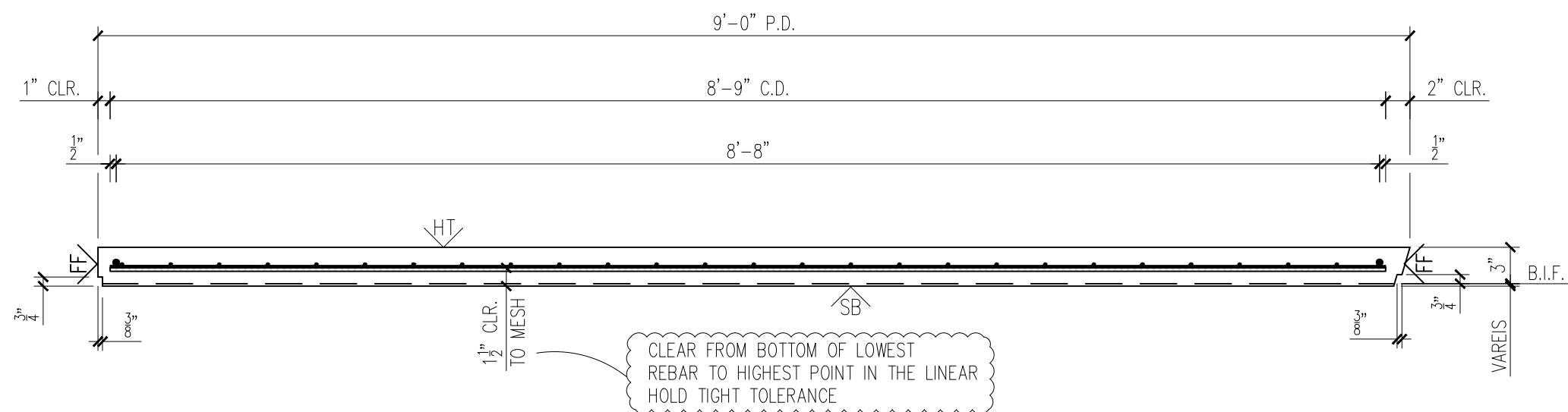


25-4604 - Nashville Road Sewer Interceptor
 Precast Building
 Product ID - CVW
 LEFT WALL - BSDG-10
 Weight - 4,175 LBS Each
 1 Required



LEFT WALL FORM VIEW
 SCALE: 1/2" = 1'-0"



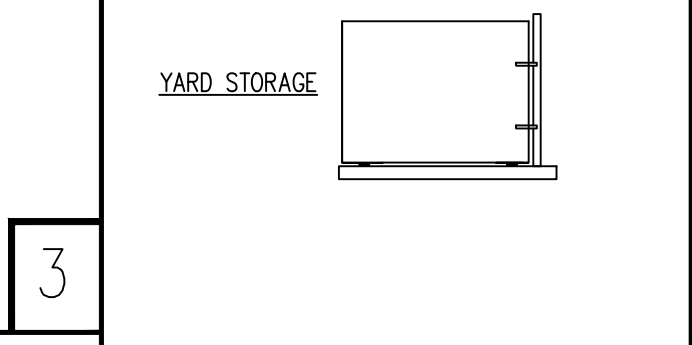
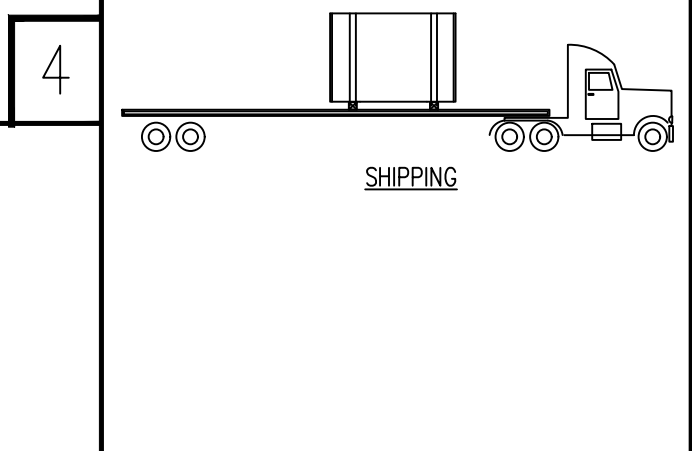
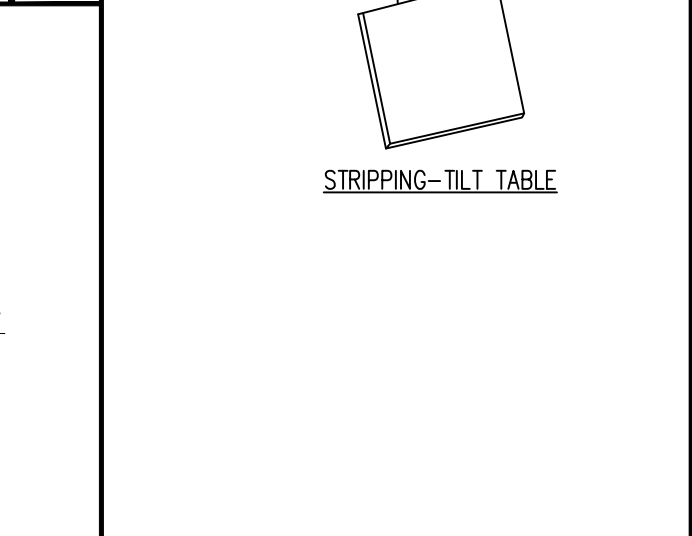
MESSAGE CENTER

- REFER TO DETAILS AND SECTION FOR REINFORCEMENT PLACEMENT
- SHOP TICKET SHOWS EXTERIOR FINISH CAST FACE DOWN

CHECKED BY: _____ DATE: _____
 APPROVED BY: _____ DATE: _____

BILL OF MATERIALS		
MARK #	DESCRIPTION	QTY.
P201G	4"x4"x8' W/(2) 3" x 1 1/2" H.A.S. W/ 1'-4" BENT REBAR (GALV.)	3
P103G	2 TON TECH ERECTION ANCHOR (GALV.)	2
P101L	1/2" x 1 1/2" F-63 FLARED THIN SLAB COIL INSERT (ELECTROPLATED)	5

HANDLING INSTRUCTIONS



CONCRETE INSTRUCTIONS

CONCRETE RELEASE @ 2,500 P.S.I.
 CONCRETE @ 28 DAYS: 5,000 P.S.I.

CONCRETE MIXES

CONCRETE - GRAY	VOLUME = 1.03 C.Y.
CONCRETE - MIX 1	VOLUME = - C.Y.
CONCRETE - MIX 2	VOLUME = - C.Y.
SOFT SOUND	VOLUME = - C.Y.
TOTALS	VOLUME = 1.03 C.Y.

WEIGHT: 4,175 LBS.

FINISHING INSTRUCTIONS

SB = SPLIT FACE BLOCK FINISH
 FF = FORM FINISH
 HT = HARD TROWEL FINISH
 H = 11'-6" SQ.FT.(T.I.F.) = 102.71
 W = 9'-0" SQ.FT.(T.I.F.) = -
 D = 3" SQ.FT.(T.I.F.) = -

CONTROL NUMBERS:

-

PRODUCT SALES ORDER NUMBER

BUILDING -

SHEET NUMBER NUMBER REQUIRED

1 OF 2 1

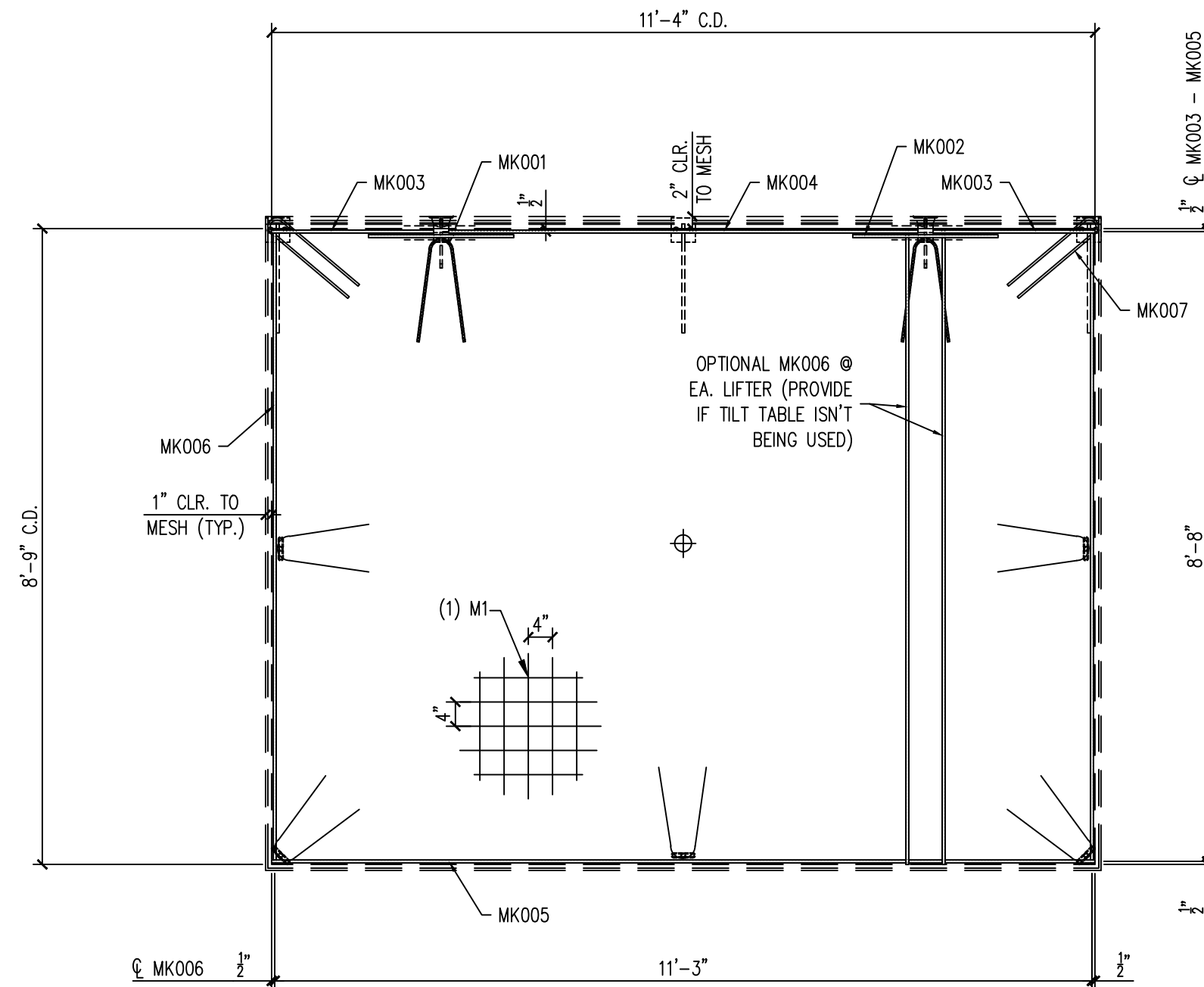
EASI-SET® WORLDWIDE
 5119 Cattlett Rd. • Midland, VA 22728 • info@EasiSet.com
 www.EasiSet.com • 800-547-4045 • Fax 540-439-2541

REV	INI.	DESCRIPTION	DATE
1			
2			
3			
4			
5			

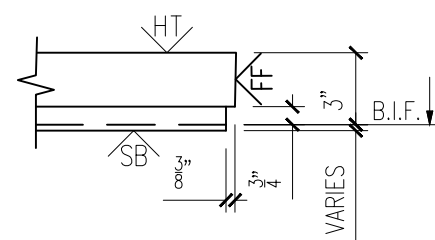
PROJECT: 12'x12' STANDARD EASI-SET GABLED BUILDING
 NASHVILLE ROAD INTERCEPTOR
 BOWLING GREEN, KY
 CONTRACTOR: INFINITY PIPELINE, LLC/WARREN COUNTY WATER DISTRICT

SCALE: NTS
 DRAWN BY: FTL
 CHECK BY: WCR
 ISSUE DATE: 03.30.26
 PIECE MARK: BSDG-10 (1)

25-4604 - Nashville Road Sewer Interceptor
 Precast Building
 Product ID - CVW
 LEFT WALL - BSDG-10
 Weight - 4,175 LBS Each
 1 Required



LEFT WALL REINFORCING
 SCALE: 1/2" = 1'-0"



6

7

8

9

MESSAGE CENTER

- REFER TO DETAILS AND SECTION FOR REINFORCEMENT PLACEMENT
- SUPPLEMENTAL STEEL FOR STRIPPING AND HANDLING MAY BE ADDED AS REQUIRED.

CHECKED BY: _____ DATE: _____
 APPROVED BY: _____ DATE: _____

NOTE:
 1. CONSTRUCT REBAR-MESH CAGE ACCORDING TO THE DRAWINGS. SECURE LIFTING APPARATUS TO FORM AND ADD PROPER REINFORCEMENT. PLACE REBAR-MESH CAGE AND HAIRPINS AT INSERTS WITH PROPER CLEARANCES (PER DRAWINGS).

REINFORCING SCHEDULE		
MARK #	DESCRIPTION	QTY.
MK001	#3 X 3'-0"	7
MK002	#3 X 2'-0"	2
MK003	#3 X 2'-2 3/4"	2
MK004	#3 X 6'-5 1/2"	1
MK005	#3 X 11'-4"	1
MK006	#3 X 8'-9"	2
MK007	#3 X 3'-1"	2

MESH SCHEDULE		
MARK #	DESCRIPTION	QTY.
M1	W4XW4 4"X4" WWF 11'-4" x 8'-9"	1

EASI-SET® WORLDWIDE
 5119 Catlett Rd. • Midland, VA 22728 • info@EasiSet.com
 www.EasiSet.com • 800-547-4045 • Fax 540-439-2541

DATE	REV	DESCRIPTION
	1	
	2	
	3	
	4	

PROJECT: 12'x12' STANDARD EASI-SET GABLED BUILDING
 NASHVILLE ROAD INTERCEPTOR
 BOWLING GREEN, KY
 CONTRACTOR: INFINITY PIPELINE, LLC/WARREN COUNTY WATER DISTRICT

SCALE: NTS
 DRAWN BY: FTL
 CHECK BY: WCR
 ISSUE DATE: 03.30.26
 PIECE MARK: BSDG-10 (1)

PRODUCT BUILDING	SALES ORDER NUMBER -
SHEET NUMBER 2 OF 2	NUMBER REQUIRED 1