

**Job Name: 25-4595 - 4015 Utah Ave**  
**Job Location: Nashville, TN 37209**  
**Contractor: Hayes Pipe Supply**

PC: E. Bradley  
 TECH: Jared - F  
 Plant: 100



Structure ID: **A3 (4)**  
 Spec: Storm  
 Type: STM.MH  
 Size: 48"

Rim: 533.87'  
 Invert: 530.97'  
 Rim to Invert: 2.9'

Sump: 2.5"  
 Floor (Top): 530.762'  
 Floor Height: 6"

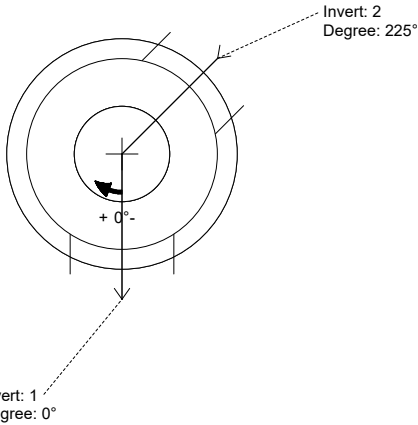
Floor (Bot): 530.262'  
 Overall Height: 3.583'  
 Slack: 0.3"

**Structure Notes:**

1. PER ASTM C-478 SPECIFICATIONS
2. CONCRETE: 4,000 PSI AT 28 DAYS
3. REINFORCEMENT:
  - FLAT LID: #4 BAR @ 10" C.C. E.W. (GRADE 60)
  - BASE: PER ASTM A615
4. NO STORM INVERT
5. NO STEPS
6. CASTING SUPPLIED BY OTHERS

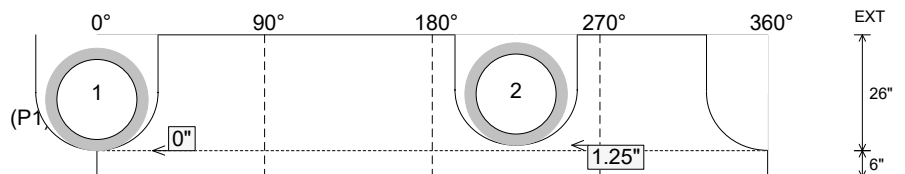
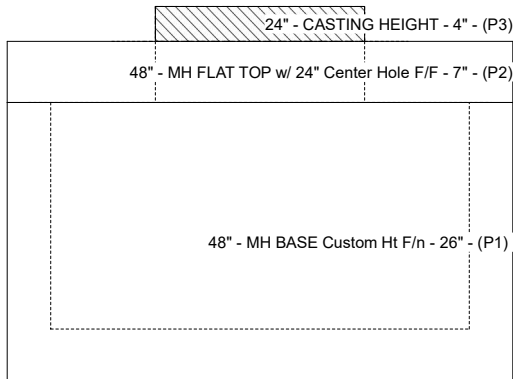
**STRUCTURE SUMMARY:**

- P3) 24" - CASTING HEIGHT - 4" 0 lb
- P2) 48" - MH FLAT TOP w/ 24" Center Hole F/F - 7" 1700 lb
- P1) 48" - MH BASE Custom Ht F/n - 26" 2629 lb
- 1) 48" - Conseal CS-102 1.00" 0 lb
- 1) DOGHOUSE INVRTD - 26"x26" 0 lb
- 1) DOGHOUSE INVRTD - 26"x24.75" 0 lb
- Structure Total: 4329 lb**



Position	Elev	Angle	Pipe	Pipe OD	Hole	Connector	Up (L)	Ref
Rim	533.87'							
Reducer								
Invert 1	530.97'	0°	18" RCP B WALL	23"	26" x 26"	DOGHOUSE INVRTD 26"x26"	0"	P1
Invert 2	531.07'	225°	18" RCP B WALL	23"	26" x 24.75"	DOGHOUSE INVRTD 26"x24.75"	1.25"	P1
Invert 3								
Invert 4								
Invert 5								
Invert 6								
Invert 7								
Invert 8								

**Cast (Int. Dim.) - Interior Dimensions**



Submittal Drawing  
 2/26/2026 12:02:04 PM

SUBMITTAL  
 APPROVED BY: