

Structure ID: A3 (4)

P1 MH048BAVF

MH BASE Custom Ht F/n

- P3) 24" - CASTING HEIGHT - 4"
- P2) 48" - MH FLAT TOP w/ 24" Center Hole F/F - 7"
- P1) 48" - MH BASE Custom Ht F/n - 26"
- 1) 48" - Conseal CS-102 1.00"
- 1) DOGHOUSE INVRTD - 26"x26"
- 1) DOGHOUSE INVRTD - 26"x24.75"

0 lb
 1700 lb
 2629 lb
 0 lb
 0 lb
 0 lb

 4329 lb

Structure Total: 4329 lb

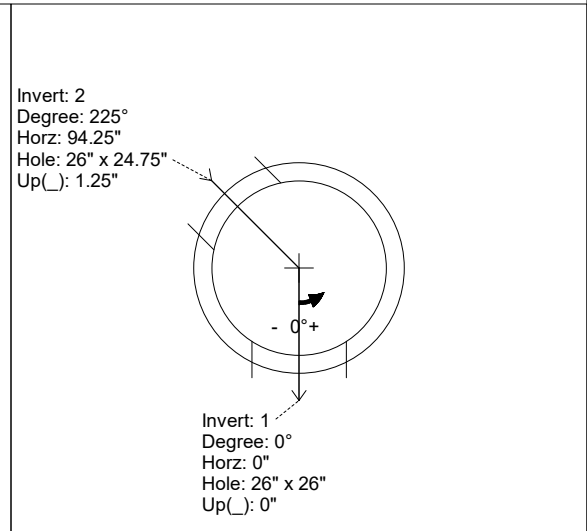
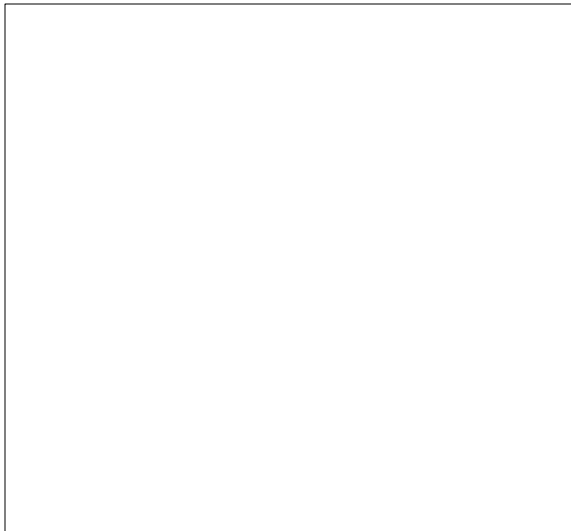
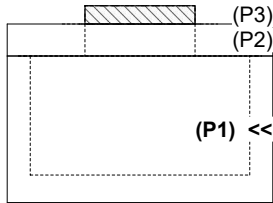
- Structure Notes:
1. PER ASTM C-478 SPECIFICATIONS
 2. CONCRETE: 4,000 PSI AT 28 DAYS
 3. REINFORCEMENT: PER ASTM A615
 4. NO STORM INVERT
 5. NO STEPS
 6. CASTING SUPPLIED BY OTHERS

Rim: 533.87' Rim to Invert: 2.9' Slack: 0.3" Sump: 2.5" Step Position:

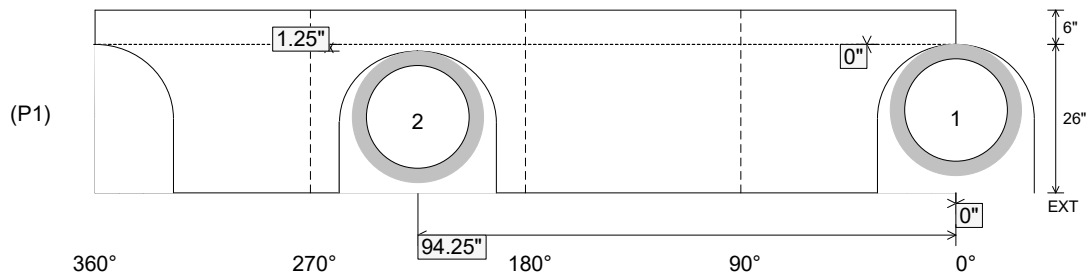
Position	Elev	Angle	Ext. (cw)	Pipe	Pipe OD	Connector	Hole	Horz Size	Up (↓)	Offset
Invert 1	530.97'	0°	0"	18" RCP B WALL	23"	DOGHOUSE INVRTD 26"x26"	26" x 26"	27.476"	0"	0"
Invert 2	531.07'	225°	113.875"	18" RCP B WALL	23"	DOGHOUSE INVRTD 26"x24.75"	26" x 24.75"	27.476"	1.25"	0"
Invert 3										
Invert 4										
Invert 5										
Invert 6										
Invert 7										
Invert 8										

RIGHT-SIDE UP VIEW (int. dimensions)

UPSIDE-DOWN VIEW (int. dimensions)



INSIDE WALL DIMENSIONS



Coating (Int): Coating (Ext):	Seam Up: Flat Seam Dn: n/a	Wall Thickness: 5" Floor Height: 6"	Height (Int): 26" Height (Ext): 32"	Weight (Net): 2629 lb Volume (Net): 0.67cu.yd
----------------------------------	-------------------------------	--	--	--