

Job Name: 25-4593 - 823277 Central Ramp Expansion BNA  
 Job Location: Nashville, TN  
 Contractor: Contech Engineering Solutions

Plant: Beaver Dam, KY  
 12/2/2025 11:09:54 AM

Tech: J. Coppage  
 PC: T. Sekula



**Structure ID: 025-CDS5678-10-C**

**P8 MH072RS84 MH RISER**

- P11) 24" - CASTING HEIGHT - 0"
- P10) 72" - MH FLAT TOP SPEC. (2 - 24"Ø HOLES) - 25"
- P9) 72" - MH RISER - 60"
- P8) 72" - MH RISER - 84"
- P7) 72" - MH RISER - 84"
- P6) 120" - MH Transition Slab 72" Spec. w/(2) 24" Holes - 22"
- P5) 120" - MH RISER - 84"
- P4) 120" - MH RISER - 96"
- P3) 120" - MH RISER Custom Ht - 90"
- P2) 120" - MH RISER - 36"
- P1) 120" - MH SEPARATE BASE-T (142" OD) - 8"
- 1) CVSTENCILING
- 1) This Structure Includes a Cast-in Item - (2 Ea. Castings)
- 1) SECONDARY POUR - Separation Slab\*
- 5) 120" - Conseal CS-102 1.00"
- 4) 72" - Conseal CS-102 1.00"

- 0 lb
- 8609 lb
- 8747 lb
- 12246 lb
- 12246 lb
- 22335 lb
- 31909 lb
- 33046 lb
- 34189 lb
- 13675 lb
- 17421 lb
- 0 lb
- 0 lb
- 10292 lb
- 0 lb
- 0 lb

**Structure Notes:**

1. PER ASTM C-478 SPECS
2. CONCRETE: 7,000 PSI AT 28 DAYS
3. REINFORCEMENT: PER ASTM A615 (GRADE 60)
4. 2 EA. CAST-IN CASTINGS PROVIDED BY OTHERS
5. CASTINGS TO BE CAST INTO FLAT LID FLANGE SIDE UP

**SPECIAL NOTES:**

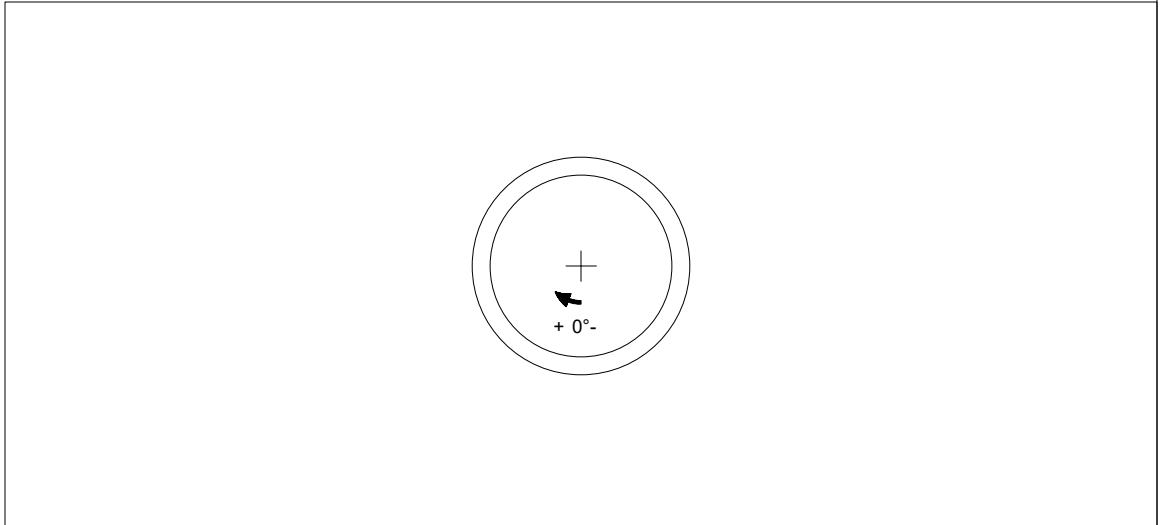
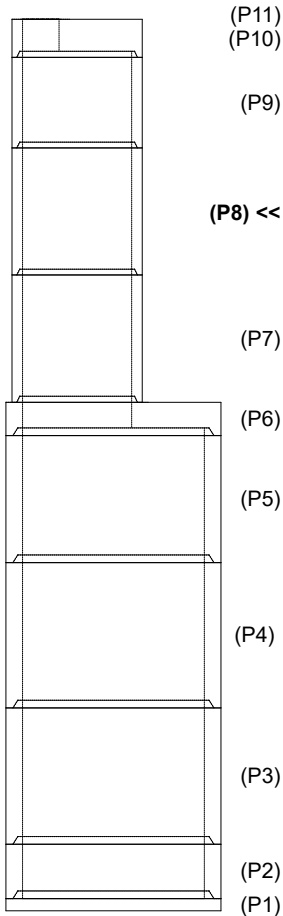
1. LIFTING HOOKS TO BE INSTALLED ON THE INSIDE OF THE STRUCTURE
2. CONTECH'S LOGO AS WELL AS INLET & OUTLET MUST BE STENCILED ONTO STRUCTURE
3. INTERNALS TO BE INSTALLED BY OTHERS

**\*\*USE REINFORCEMENT INFORMATION PROVIDED BY CONTECH\*\***

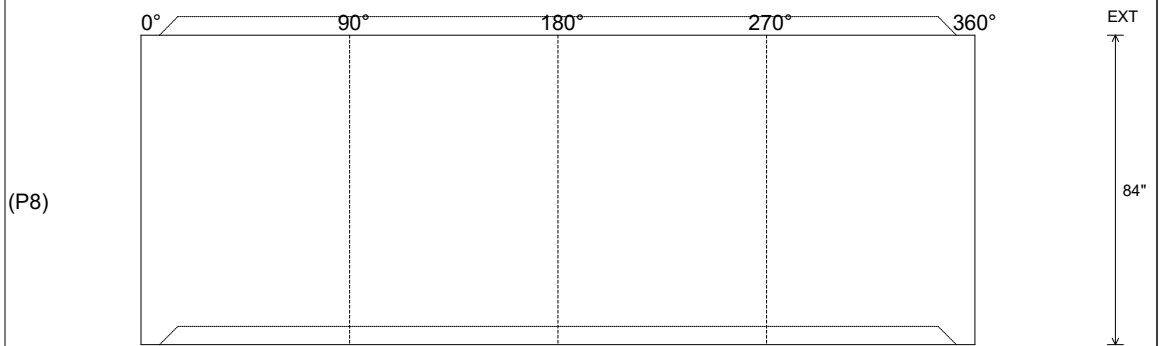
2) Rim to Invert: 35.3' Slack: -0.44" Sump: 156.96" Step Position: 0'

Position	Elev	Angle	Ext. (cw)	Pipe	Pipe OD	Structure Total: 2047.14 lb	Hole	Horz Size	Up (L)	Offset
Invert 1										
Invert 2										
Invert 3										
Invert 4										
Invert 5										
Invert 6										
Invert 7										
Invert 8										

**RIGHT-SIDE UP VIEW (int. dimensions)**



**INSIDE WALL DIMENSIONS**



Coating (Int): Coating (Ext):	Seam Up: Tongue Seam Dn: Groove	Wall Thickness: 7" Floor Height: 0"	Height (Int): 84" Height (Ext): 84"	Weight (Net): 12246 lb Volume (Net): 3.13cu.yd
----------------------------------	------------------------------------	--	--	---

# 25-4593 RISER REINFORCEMENT

## 025-CDS5678-10-C

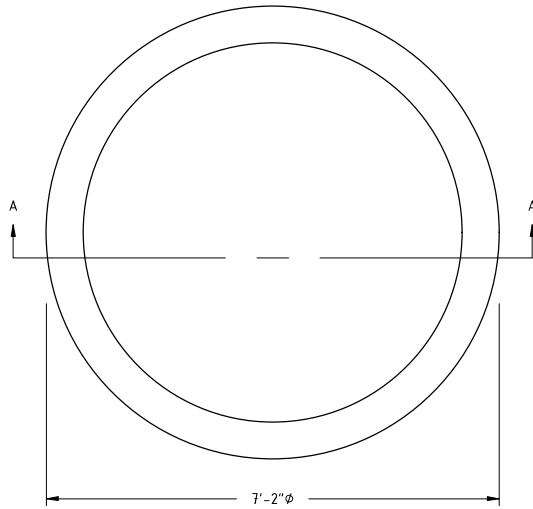
**DESIGN NOTE:**

AIRCRAFT LOADING - 80 KIP WHEEL LOAD - 17.19"x12.68" TIRE FOOTPRINT  
 WATER TABLE AT FINISHED GRADE  
 DESIGN CONFORMS TO AASHTO LRFD  
 CONCRETE 28 DAY COMPRESSIVE STRENGTH - 7000 PSI  
 REINFORCEMENT STEEL - 60,000 PSI  
 REBAR MIN SPLICE LENGTHS: #3-17" #4-22" #5-28" #6-33"  
 REBAR MIN BEND DIAMETERS: #3-2.25" #4-3" #5-3.75" #6-4.5"  
 PLACE 4-#4 BAR DIAGONAL AROUND OPENING(S)

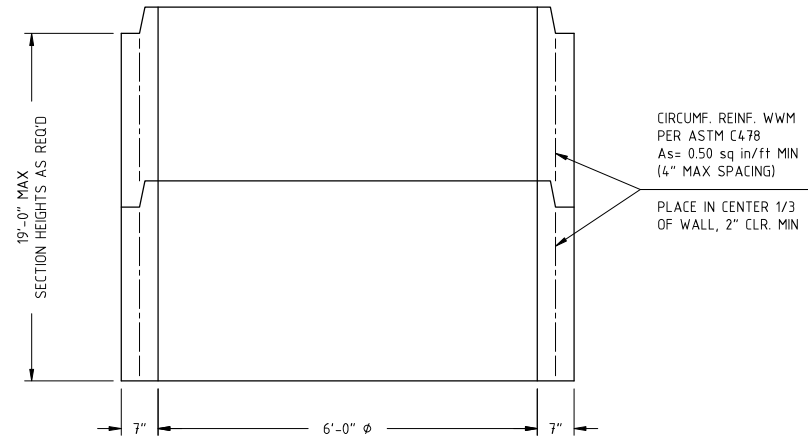
823277-25

**REINFORCING STEEL SCHEDULE**

MARK	NO.	LENGTH	TYPE	BENDING DIAGRAM O.D.



**PLAN VIEW**



**SECTION A-A**



PROPRIETARY AND CONFIDENTIAL:  
 THE INFORMATION CONTAINED IN THIS DOCUMENT IS THE SOLE PROPERTY OF CONTECH. ANY REPRODUCTION IN PART OR AS A WHOLE WITHOUT THE WRITTEN PERMISSION OF CONTECH IS PROHIBITED.

REVISIONS	DATE	DESCRIPTION
B		
C		
D		
E		

DRAWN BY: T.J.G  
 DESIGN BY: A.JEFFREY  
 PLANT:  
 SCALE: 1/2" = 1'

CONTECH - CDS RISER  
 6'-0"  $\phi$   
 REINFORCEMENT  
 DATE: 10/21/25 11"x17" PAGE 1 OF 1