

Job Name: 25-4593 - 823277 Central Ramp Expansion BNA
Job Location: Nashville, TN
Contractor: Contech Engineering Solutions

PC: T. Sekula
 TECH: J. Coppage
 Plant: Beaver Dam, KY



Structure ID: **020-CDS4040-8-C**
 Spec: Storm-Pipe Centered
 Type: STM.MH
 Size: 96"

Rim: 551.75'
 Invert: 541.38'
 Rim to Invert: 10.37'

Sump: 108"
 Floor (Top): 532.38'
 Floor Height: 8"

Floor (Bot): 531.713'
 Overall Height: 20'
 Slack: 0.44"

Structure Notes:

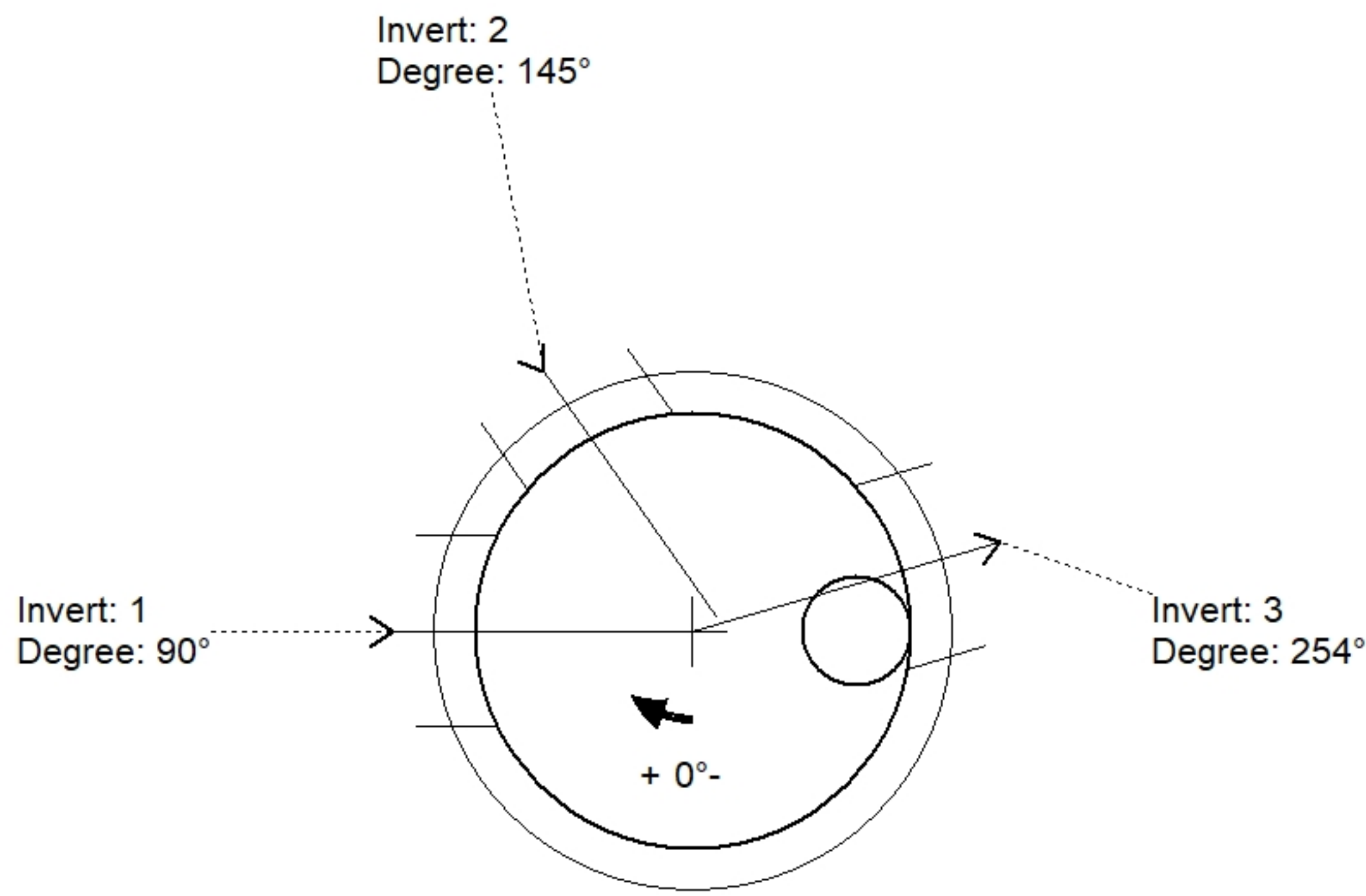
1. PER ASTM C-478 SPECS
2. CONCRETE: 7,000 PSI AT 28 DAYS
3. REINFORCEMENT: PER ASTM A615 (GRADE 60)
4. 2 EA. CAST-IN CASTINGS PROVIDED BY OTHERS
5. CASTINGS TO BE CAST INTO FLAT LID FLANGE SIDE UP
6. INVERT 2 OFFSET 6" FROM CENTER

SPECIAL NOTES:

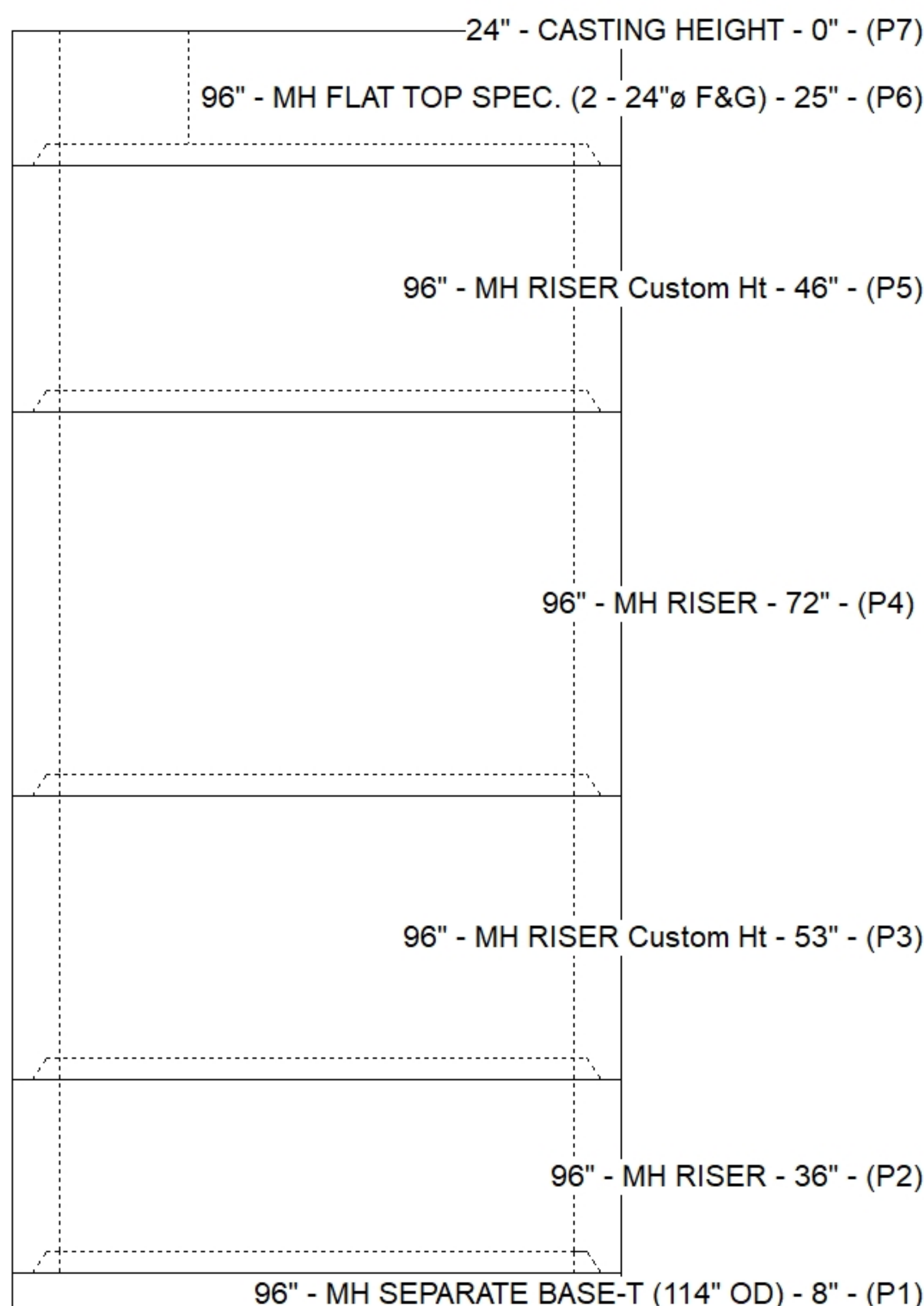
1. LIFTING HOOKS TO BE INSTALLED ON THE INSIDE OF THE STRUCTURE
2. CONTECH'S LOGO AS WELL AS INLET & OUTLET MUST BE STENCILED ONTO STRUCTURE
3. INTERNALS TO BE INSTALLED BY OTHERS

STRUCTURE SUMMARY:

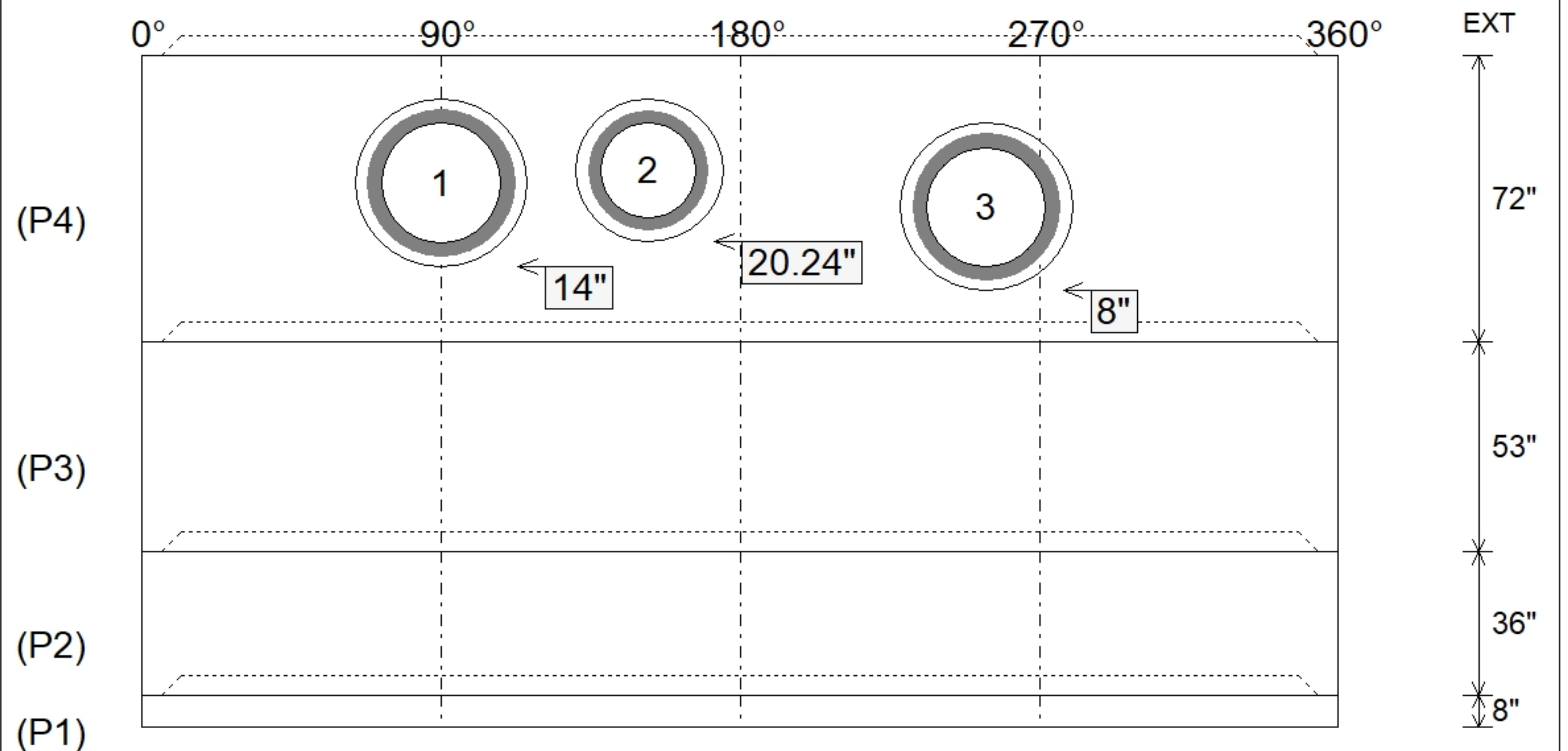
P7) 24" - CASTING HEIGHT - 0"	0 lb
P6) 96" - MH FLAT TOP SPEC. (2 - 24"Ø F&G) - 25"	14787 lb
P5) 96" - MH RISER Custom Ht - 46"	11459 lb
P4) 96" - MH RISER - 72"	14991 lb
P3) 96" - MH RISER Custom Ht - 53"	13203 lb
P2) 96" - MH RISER - 36"	8968 lb
P1) 96" - MH SEPARATE BASE-T (114" OD) - 8"	10484 lb
1) CVSTENCILING	0 lb
1) This Structure Includes a Cast-in Item - (2 Ea. Castings)	0 lb
1) SECONDARY POUR - Separation Slab*	6669 lb
5) 96" - Conseal CS-102 1.00"	0 lb
2) Hole - 42	0 lb
1) Hole - 36	0 lb
Structure Total:	80562 lb



Position	Elev	Angle	Pipe	Pipe OD	Hole	Connector	Up (")	Ref
Rim	551.75'							
Reducer								
Invert 1	541.88'	90°	30" RCP B WALL	37"	42"	Hole 42	14"	P4
Invert 2	542.4'	145°	24" RCP B WALL	30"	36"	Hole 36	20.24"	P4
Invert 3	541.38'	254°	30" RCP B WALL	37"	42"	Hole 42	8"	P4
Invert 4								
Invert 5								
Invert 6								
Invert 7								
Invert 8								



Default - Interior Dimensions



Submittal Drawing
 12/2/2025 2:57:37 PM

SUBMITTAL
 APPROVED BY: