

Job Name: 25-4593 - 823277 Central Ramp Expansion BNA
Job Location: Nashville, TN
Contractor: Contech Engineering Solutions

PC: T. Sekula
 TECH: J. Coppage
 Plant: Beaver Dam, KY



Structure ID: **015-CDS5668-10-C**
 Spec: Storm-Pipe Centered
 Type: STM.MH
 Size: 120"

Rim: 553.59'
 Invert: 543.29'
 Rim to Invert: 10.3'

Sump: 144.96"
 Floor (Top): 531.21'
 Floor Height: 6"

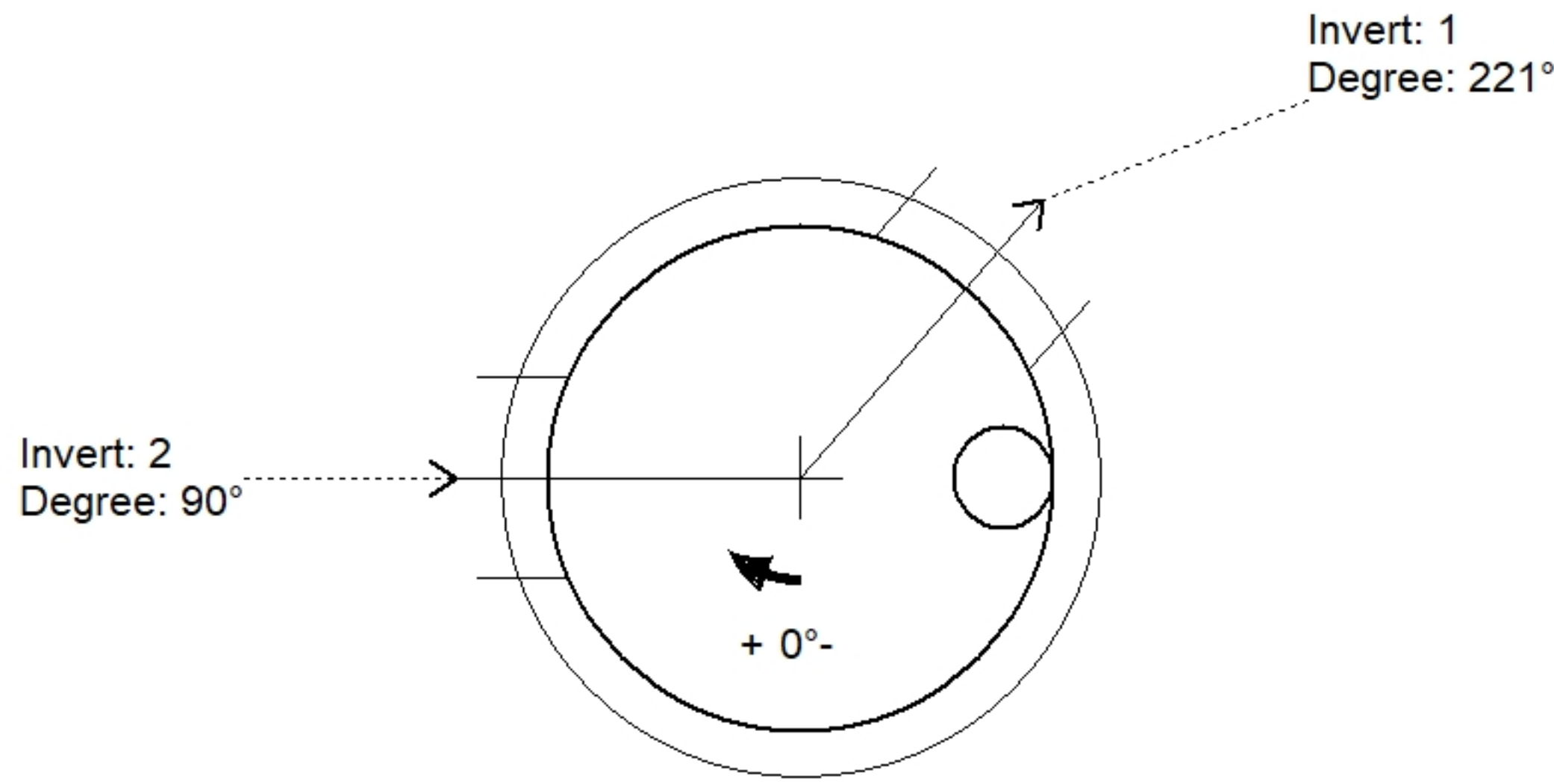
Floor (Bot): 530.71'
 Overall Height: 22.833'
 Slack: 0.56"

Structure Notes:

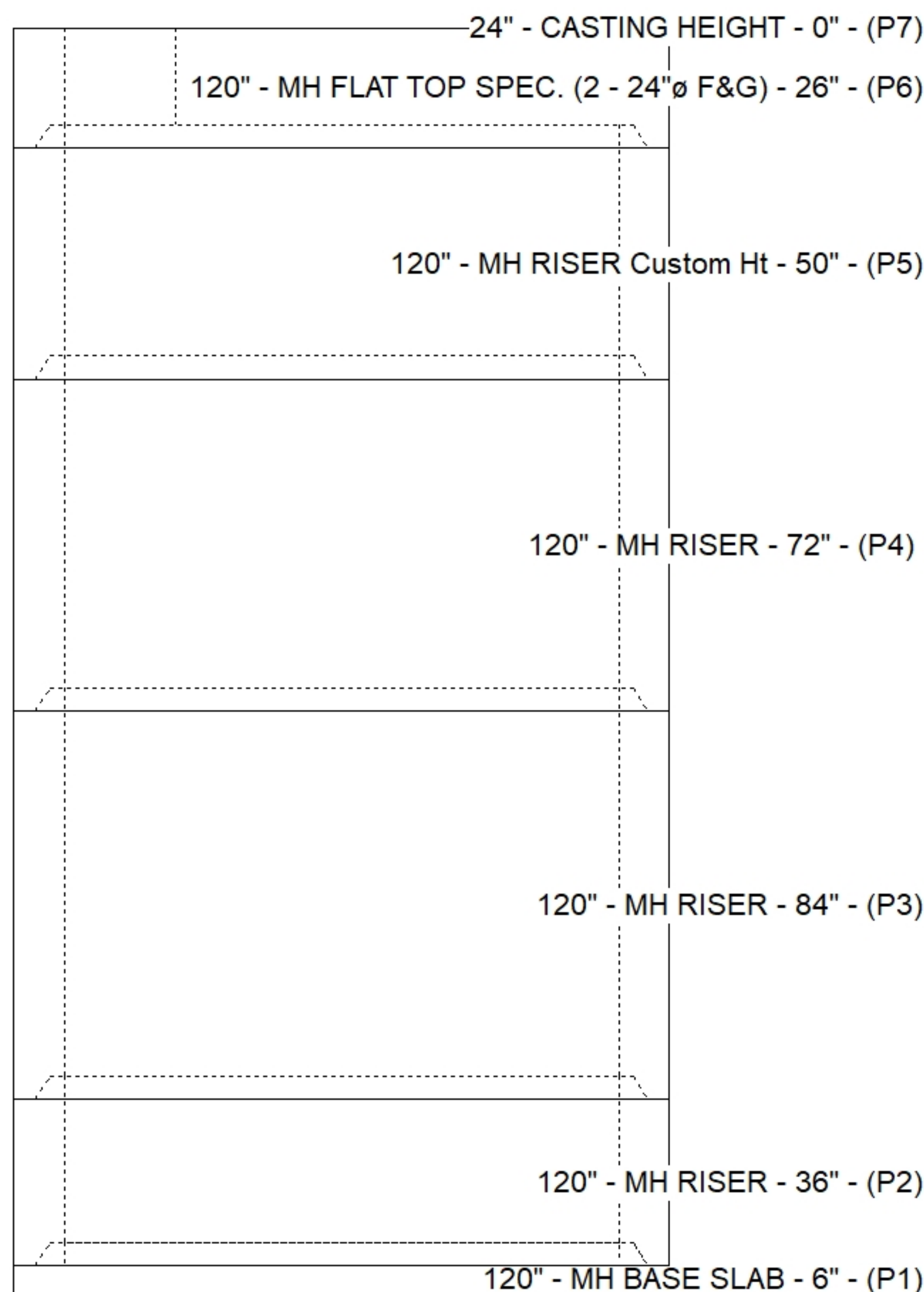
1. PER ASTM C-478 SPECS
2. CONCRETE: 7,000 PSI AT 28 DAYS
3. REINFORCEMENT: PER ASTM A615 (GRADE 60)
4. 2 EA. CAST-IN CASTINGS PROVIDED BY OTHERS
5. CASTINGS TO BE CAST INTO FLAT LID FLANGE SIDE UP
6. LIFTING HOOKS TO BE INSTALLED ON THE INSIDE OF THE STRUCTURE
7. CONTECH'S LOGO AS WELL AS INLET AND OUTLET MUST BE STENCILED ONTO STRUCTURE
8. INTERNALS TO BE INSTALLED BY OTHERS

STRUCTURE SUMMARY:

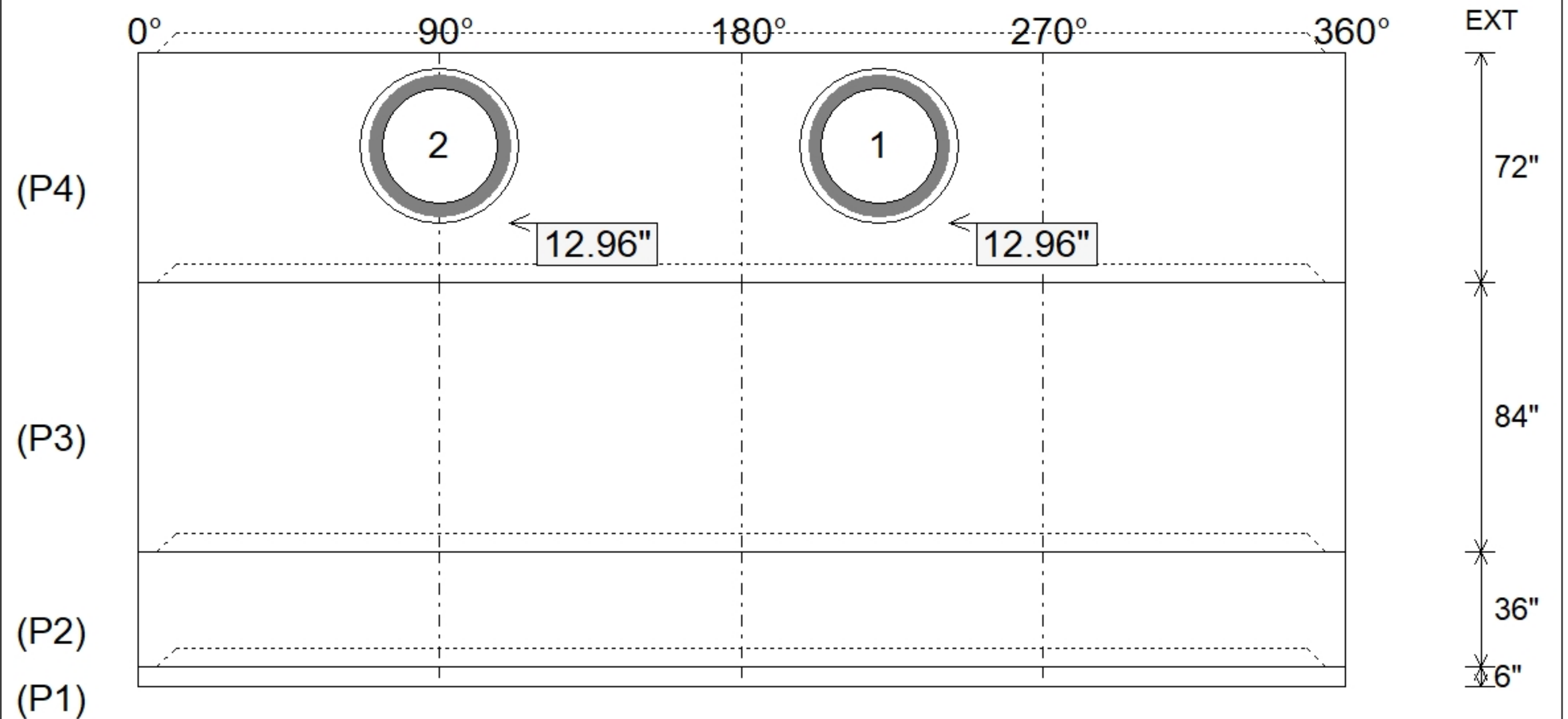
P7) 24" - CASTING HEIGHT - 0"	0 lb
P6) 120" - MH FLAT TOP SPEC. (2 - 24"Ø F&G) - 26"	26247 lb
P5) 120" - MH RISER Custom Ht - 50"	18994 lb
P4) 120" - MH RISER - 72"	23929 lb
P3) 120" - MH RISER - 84"	31909 lb
P2) 120" - MH RISER - 36"	13675 lb
P1) 120" - MH BASE SLAB - 6"	14760 lb
1) CVSTENCILING	0 lb
1) This Structure Includes a Cast-in Item - (2 Ea. Castings)	0 lb
1) SECONDARY POUR - Separation Slab*	10363 lb
5) 120" - Conseal CS-102 1.00"	0 lb
2) Hole - 48	0 lb
Structure Total:	139877 lb



Position	Elev	Angle	Pipe	Pipe OD	Hole	Connector	Up (")	Ref
Rim	553.59'							
Reducer								
Invert 1	543.29'	221°	36" RCP B WALL	44"	48"	Hole 48	12.96"	P4
Invert 2	543.29'	90°	36" RCP B WALL	44"	48"	Hole 48	12.96"	P4
Invert 3								
Invert 4								
Invert 5								
Invert 6								
Invert 7								
Invert 8								



Default - Interior Dimensions



Submittal Drawing
 12/8/2025 1:15:25 PM

SUBMITTAL
 APPROVED BY: