

**Job Name: 25-4590 Uhlhorn Sewer Repairs**  
**Job Location: Evansville, IN**  
**Contractor: Bowen Engineering Corporation**

PC: A. Chambers  
 TECH: S. Felletter  
 Plant: Beaver Dam



Structure ID: **204 (5)**  
 Spec: Storm  
 Type: STM.MH  
 Size: 48"

Rim: 378.96'  
 Invert: 371.74'  
 Rim to Invert: 7.22'

Sump: 2.5"  
 Floor (Top): 371.532'  
 Floor Height: 6"

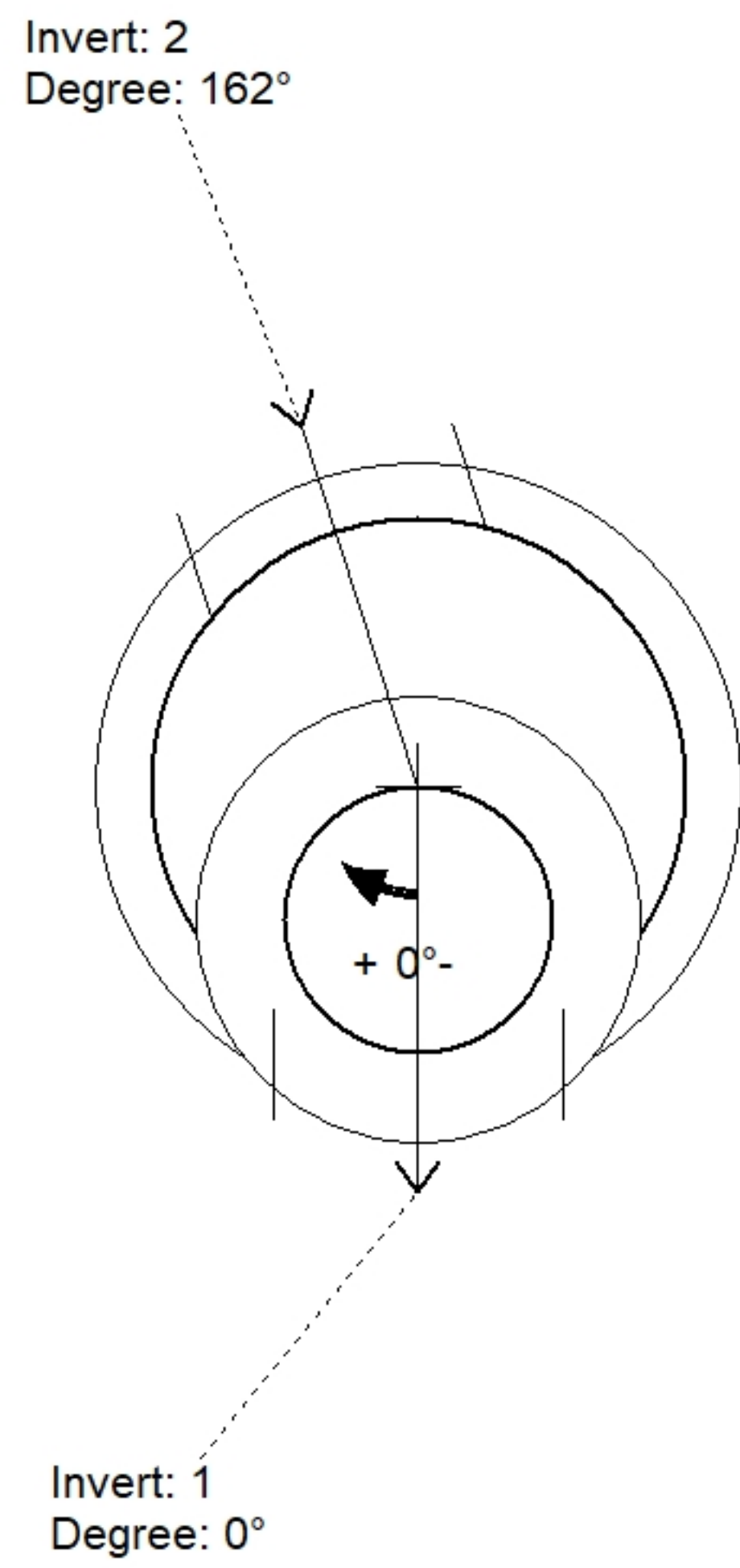
Floor (Bot): 371.032'  
 Overall Height: 7.917'  
 Slack: 0.14"

**Structure Notes:**

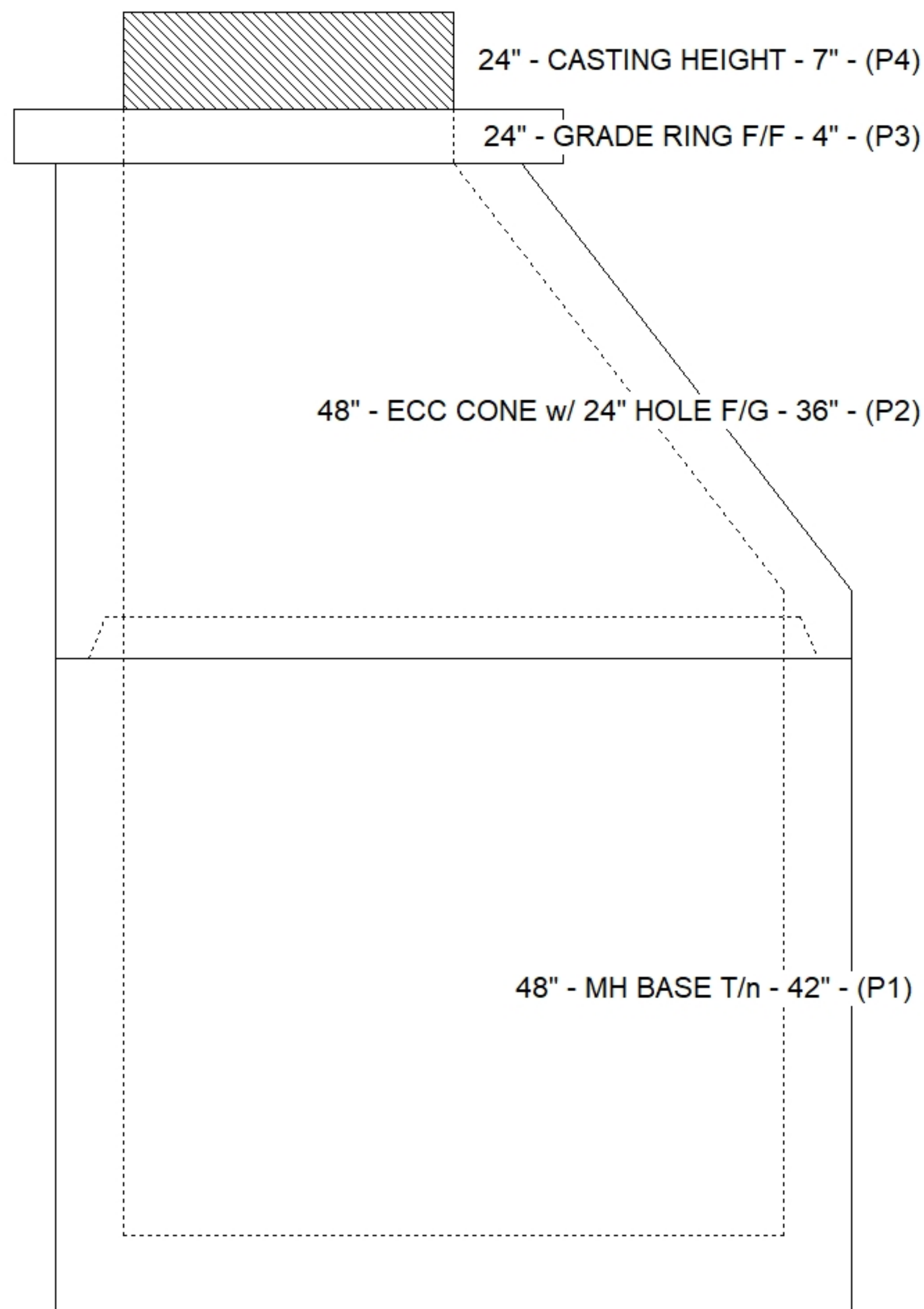
- PER ASTM C478 SPECIFICATIONS.
  - CONCRETE = 4,000 PSI AT 28 DAYS.
  - CASTING BY ICAST (HOE MC-315 F/C "STORM").
- REINFORCING PER ASTM A615 (GRADE 60).  
 - CONE (As .12)  
 - RISER/WALLS (As .12)  
 - FLOOR (As .31) #5 BARS AT 12" C.C.E.W.

**STRUCTURE SUMMARY:**

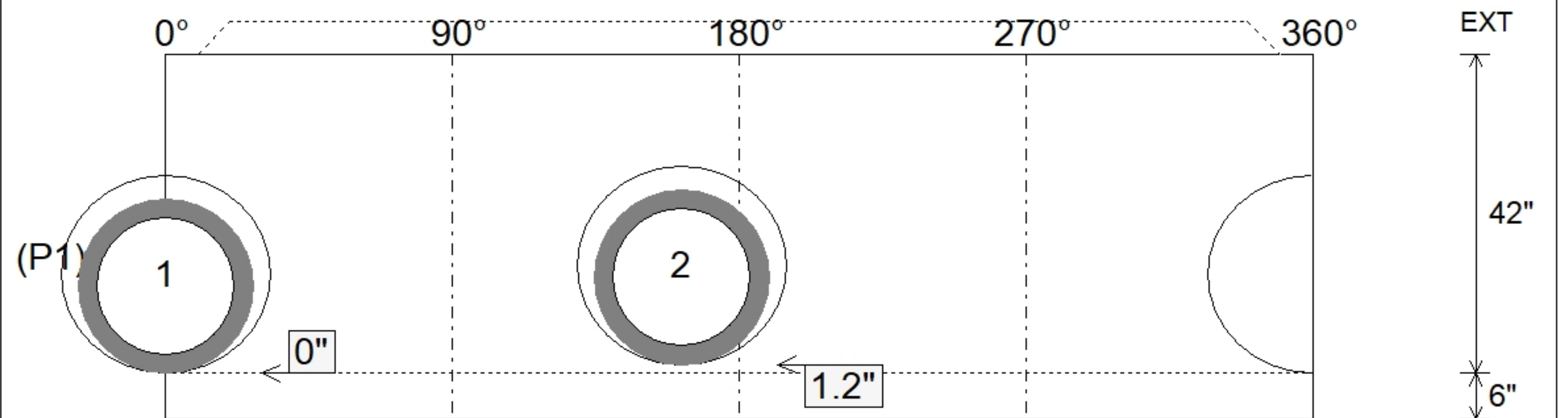
P4) 24" - CASTING HEIGHT - 7"	0 lb
P3) 24" - GRADE RING F/F - 4"	270 lb
P2) 48" - ECC CONE w/ 24" HOLE F/G - 36"	3000 lb
P1) 48" - MH BASE T/n - 42"	3798 lb
1) CASTING - HOE MC-315 F/C Storm	258 lb
1) 48" - Conseal CS-102 1.00"	0 lb
2) Hole - 26	0 lb
	-----
<b>Structure Total:</b>	<b>7326 lb</b>



Position	Elev	Angle	Pipe	Pipe OD	Hole	Connector	Up ( )	Ref
Rim	378.96'							
Reducer								
Invert 1	371.74'	0°	18" RCP B WALL	23"	26"	Hole 26	0"	P1
Invert 2	371.84'	162°	18" RCP B WALL	23"	26"	Hole 26	1.2"	P1
Invert 3								
Invert 4								
Invert 5								
Invert 6								
Invert 7								
Invert 8								



**Default - Interior Dimensions**



Submittal Drawing  
 4/15/2026 3:29:05 PM

SUBMITTAL  
 APPROVED BY: