

Structure ID: 204 (5)

P1 MH048BA42 MH BASE T/n

P4) 24" - CASTING HEIGHT - 7" P3) 24" - GRADE RING F/F - 4" P2) 48" - ECC CONE w/ 24" HOLE F/G - 36" P1) 48" - MH BASE T/n - 42" 1) CASTING - HOE MC-315 F/C Storm 1) 48" - Conseal CS-102 1.00" 2) Hole - 26	0 lb 270 lb 3000 lb 3798 lb 258 lb 0 lb 0 lb ----- Structure Total: 7326 lb
---	---

Structure Notes:
 1. PER ASTM C478 SPECIFICATIONS.
 2. CONCRETE = 4,000 PSI AT 28 DAYS.
 3. CASTING BY ICAST (HOE MC-315 F/C "STORM").

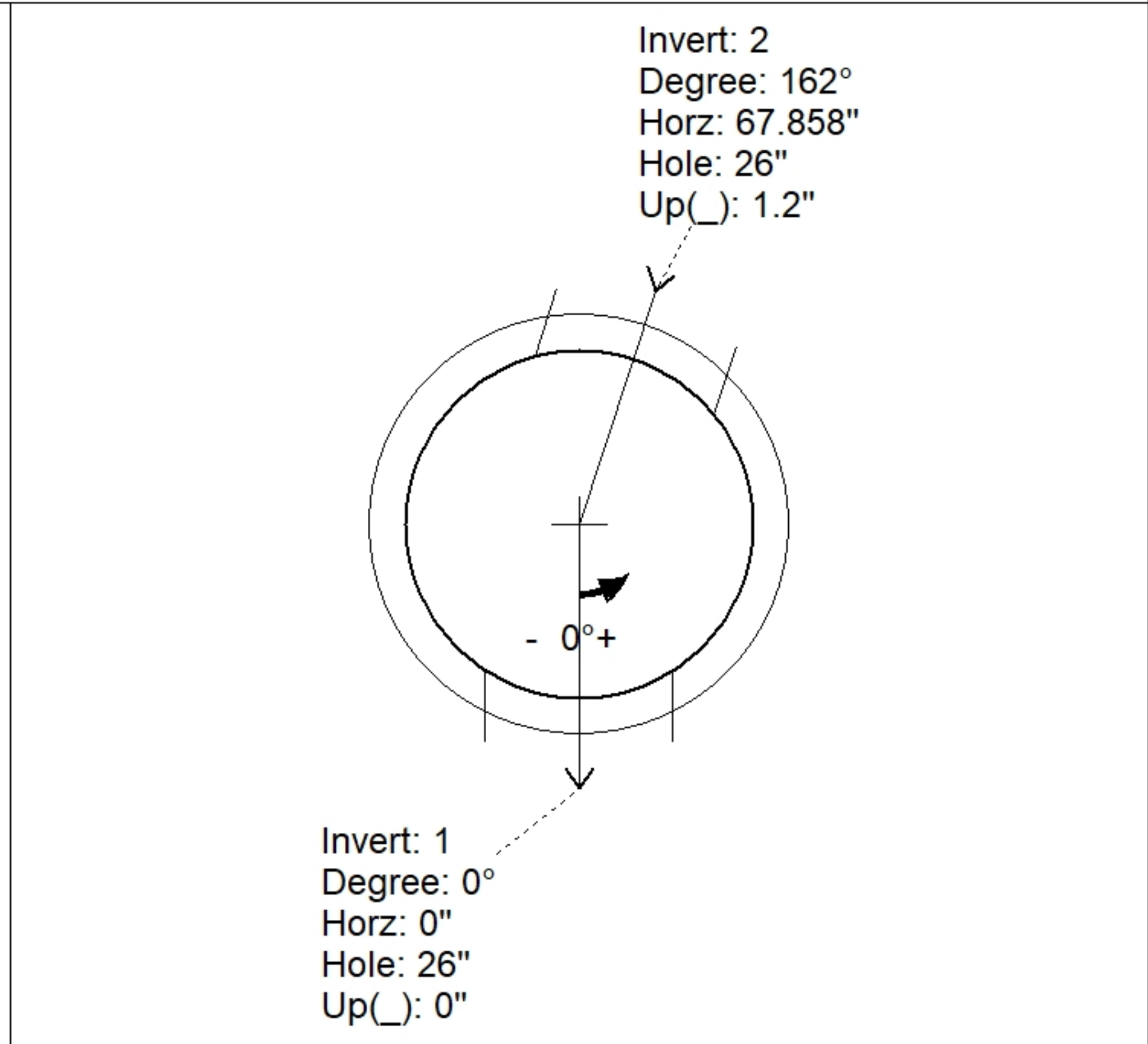
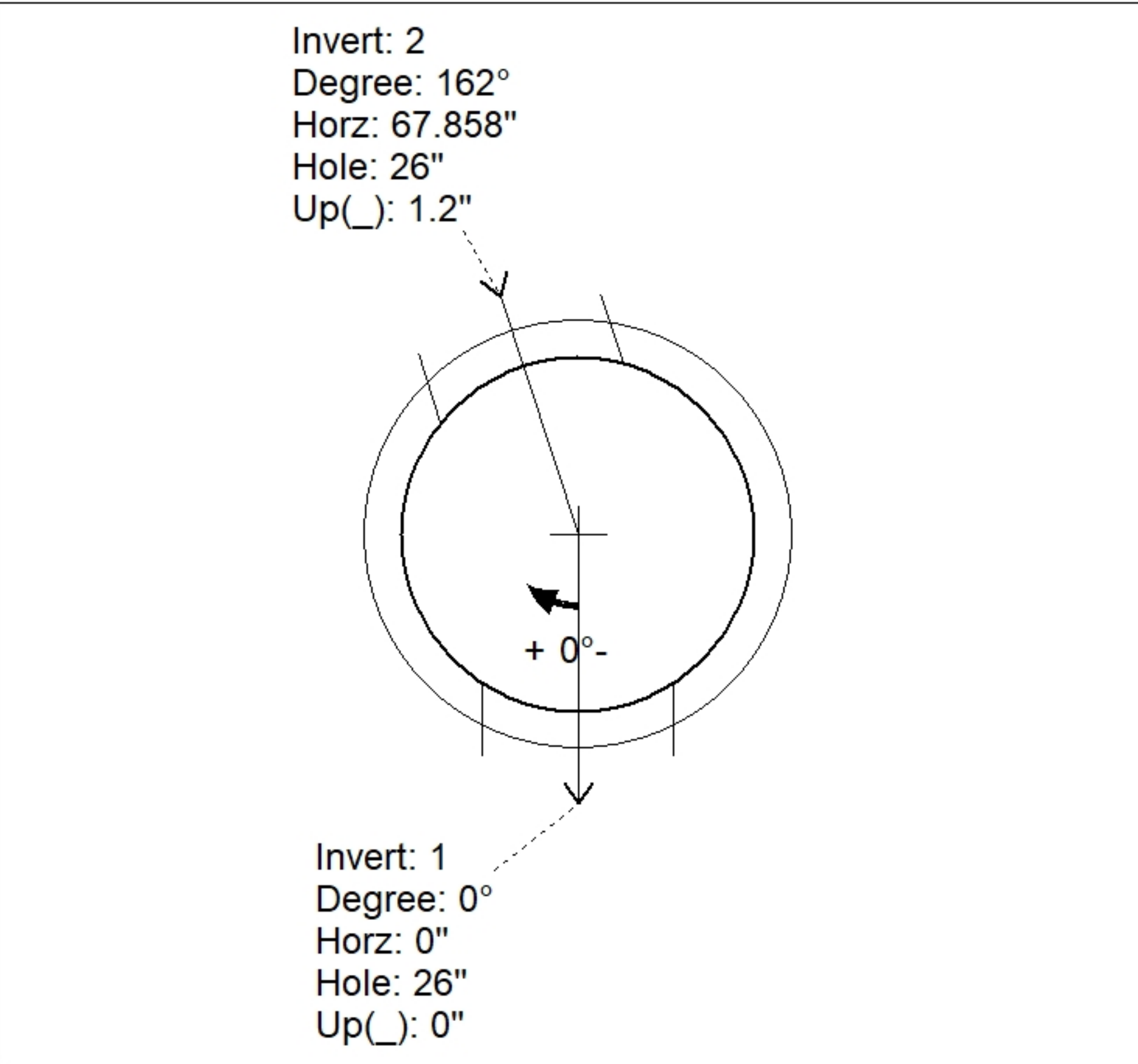
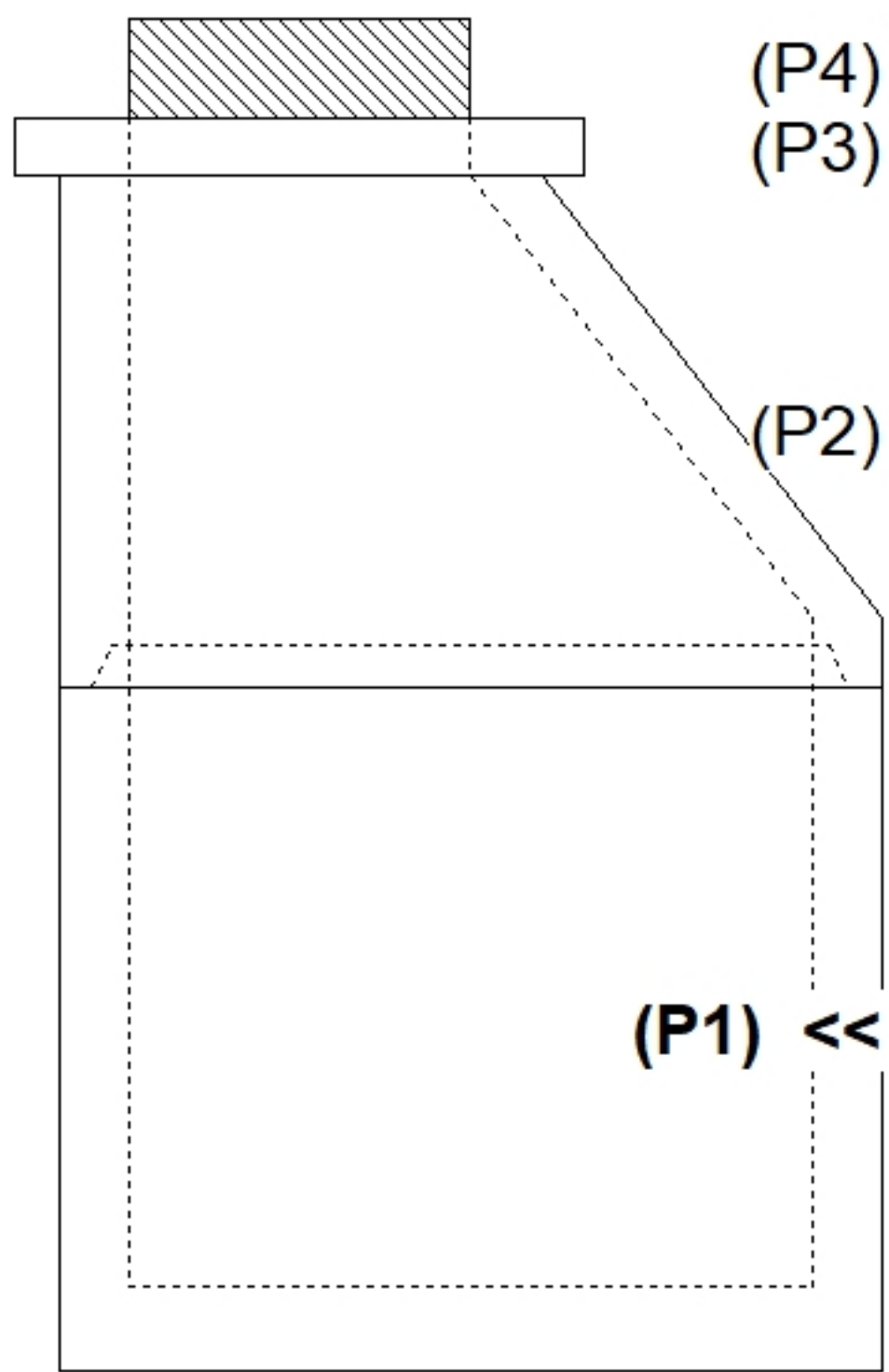
REINFORCING PER ASTM A615 (GRADE 60).
 - CONE (As .12)
 - RISER/WALLS (As .12)
 - FLOOR (As .31) #5 BARS AT 12" C.C.E.W.

Rim: 378.96' Rim to Invert: 7.22' Slack: 0.14" Sump: 2.5" Step Position:

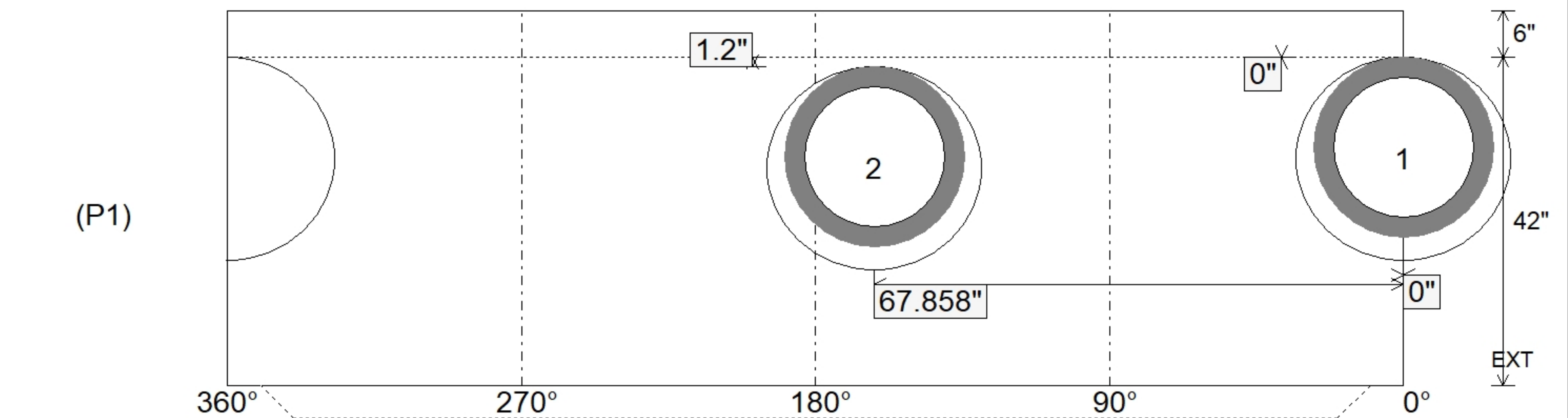
Position	Elev	Angle	Ext. (cw)	Pipe	Pipe OD	Connector	Hole	Horz Size	Up ()	Offset
Invert 1	371.74'	0°	0"	18" RCP B WALL	23"	Hole 26	26"	27.476"	0"	0"
Invert 2	371.84'	162°	81.996"	18" RCP B WALL	23"	Hole 26	26"	27.476"	1.2"	0"
Invert 3										
Invert 4										
Invert 5										
Invert 6										
Invert 7										
Invert 8										

RIGHT-SIDE UP VIEW (int. dimensions)

UPSIDE-DOWN VIEW (int. dimensions)



INSIDE WALL DIMENSIONS



Coating (Int):	Seam Up: Tongue	Wall Thickness: 5"	Height (Int): 42"	Weight (Net): 3798 lb
Coating (Ext):	Seam Dn: n/a	Floor Height: 6"	Height (Ext): 48"	Volume (Net): 0.97cu.yd