

Job Name: 25-4590 Uhlhorn Sewer Repairs
Job Location: Evansville, IN
Contractor: Bowen Engineering Corporation

PC: A. Chambers
 TECH: S. Felletter
 Plant: Beaver Dam



Structure ID: 103 (9)

Spec: Sanitary
 Type: SAN.MH Transition w/XYPEX
 Size: 60"

Rim: 378.8'
 Invert: 356.24'
 Rim to Invert: 22.56'

Sump: 3"
 Floor (Top): 355.99'
 Floor Height: 8"

Floor (Bot): 355.323'
 Overall Height: 23.417'
 Slack: 0.72"

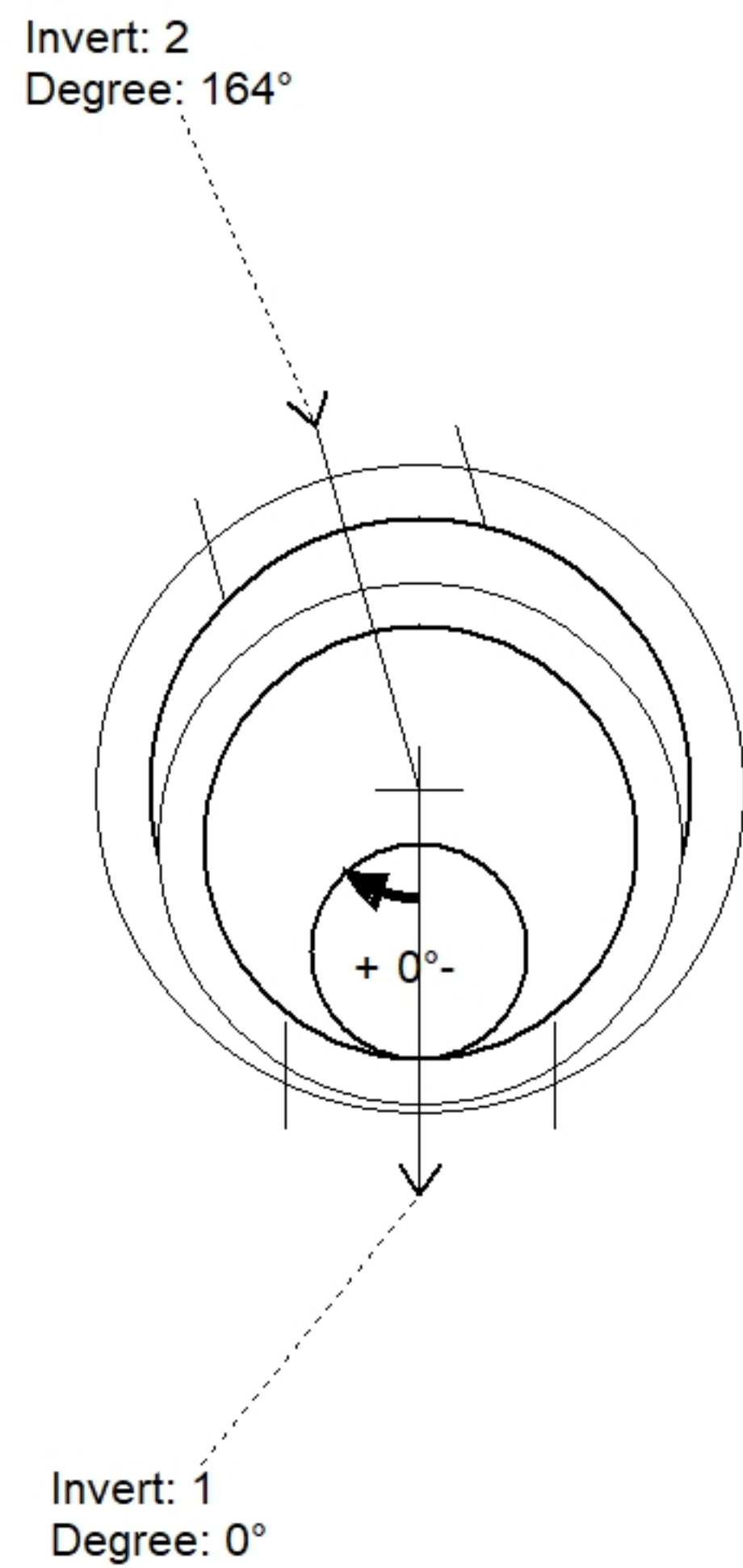
Structure Notes:

- PER ASTM C478 SPECIFICATIONS.
- CONCRETE = 4,000 PSI AT 28 DAYS.
- CASTING BY ICAST (HOE MC-315 F/C "SANITARY").
- NO STEPS.

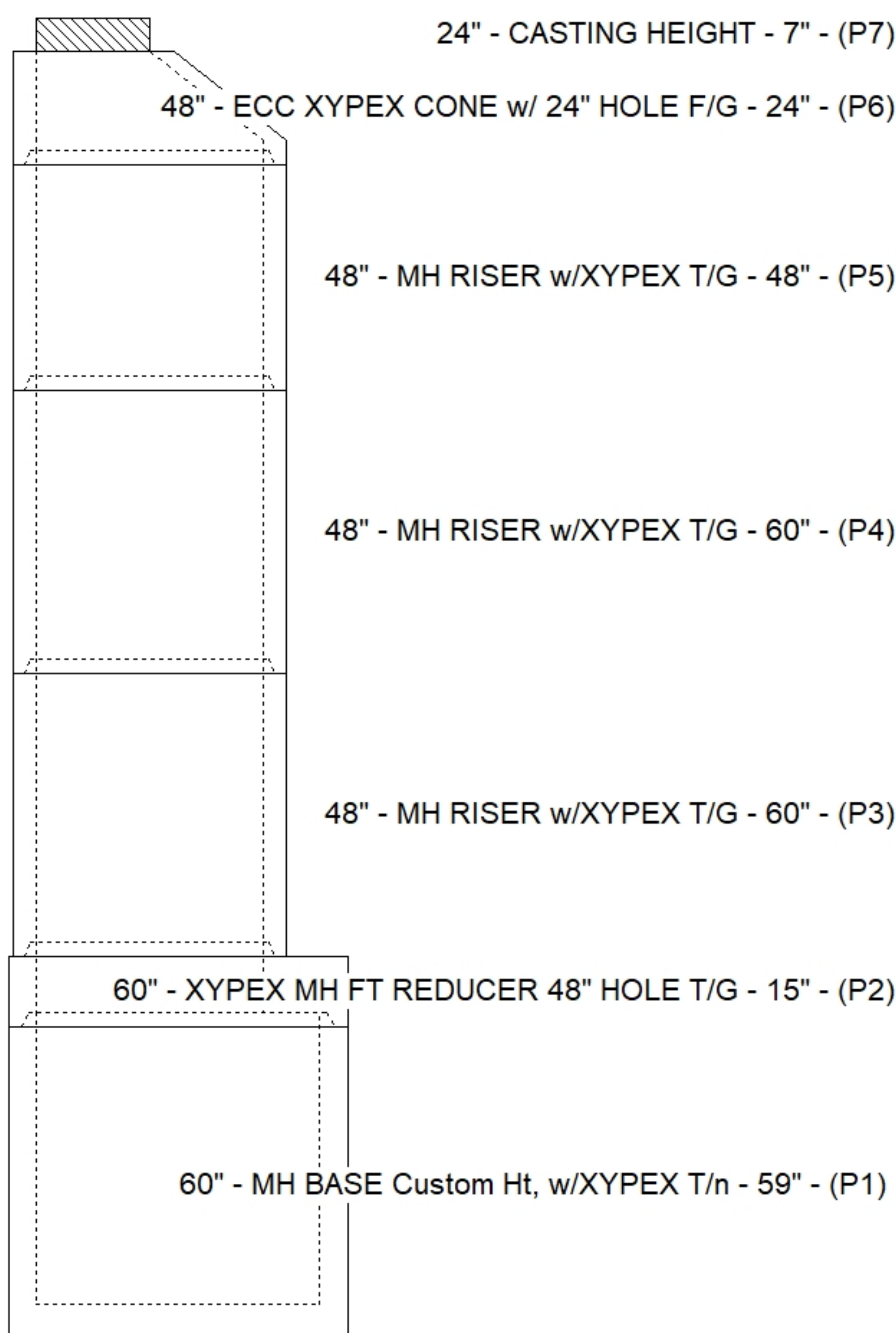
REINFORCING PER ASTM A615 (GRADE 60).
 - TOP SLAB (As .31) #5 BARS AT 6" C.C.E.W.
 - RISER/WALLS (As .18)
 - FLOOR (As .37) #5 BARS AT 10" C.C.E.W.

STRUCTURE SUMMARY:

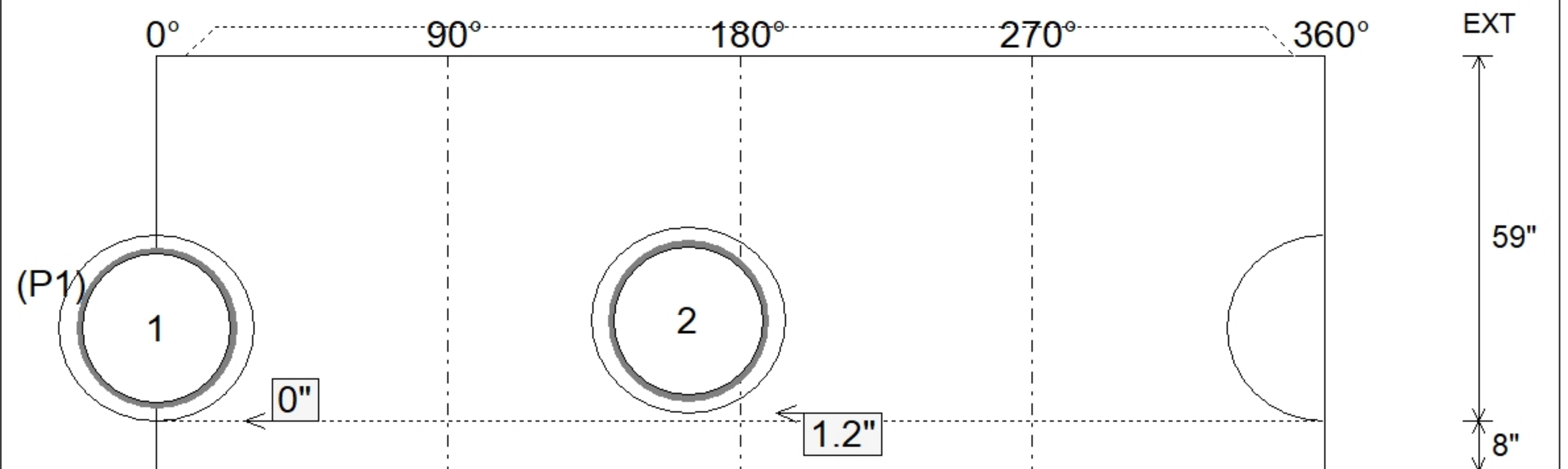
P7) 24" - CASTING HEIGHT - 7"	0 lb
P6) 48" - ECC XYPEX CONE w/ 24" HOLE F/G - 24"	1738 lb
P5) 48" - MH RISER w/XYPEX T/G - 48"	3353 lb
P4) 48" - MH RISER w/XYPEX T/G - 60"	4192 lb
P3) 48" - MH RISER w/XYPEX T/G - 60"	4192 lb
P2) 60" - XYPEX MH FT REDUCER 48" HOLE T/G - 15"	2204 lb
P1) 60" - MH BASE Custom Ht, w/XYPEX T/n - 59"	8153 lb
1) JOINT WRAP - 0.065"x6"x50' CONSEAL CS212	0 lb
1) JOINT WRAP PRIMER - CONSEAL CS-75 (1 gal.)	0 lb
1) 48" - MH INVERT CHANNEL EWSU w/XYPEX - FULL HEIGHT	1440 lb
1) CASTING - HOE MC-315 F/C Sanitary	258 lb
1) 60" - Conseal CS-102 1.00" (Double)	0 lb
4) 48" - Conseal CS-102 1.00" (Double)	0 lb
2) Kor-N-Seal2 - S206-30	13 lb
Structure Total:	25542 lb



Position	Elev	Angle	Pipe	Pipe OD	Hole	Connector	Up (")	Ref
Rim	378.8'							
Reducer	360.907'							
Invert 1	356.24'	0°	24" PVC C900	25.8"	30"	Kor-N-Seal2 S206-30	0"	P1
Invert 2	356.34'	164°	24" PVC C900	25.8"	30"	Kor-N-Seal2 S206-30	1.2"	P1
Invert 3								
Invert 4								
Invert 5								
Invert 6								
Invert 7								
Invert 8								



Default - Interior Dimensions



Submittal Drawing
 4/15/2026 3:29:05 PM

SUBMITTAL
 APPROVED BY: