

Job Name: 25-4583 - Housing Authority  
 Job Location: Morgantown, KY 42261  
 Contractor: Dirt Movers

Plant: 100

Tech: J. Horsley - A

12/30/2025 10:00:25 AM

PC: Trevor Lewis



**Structure ID: 2 (9)**

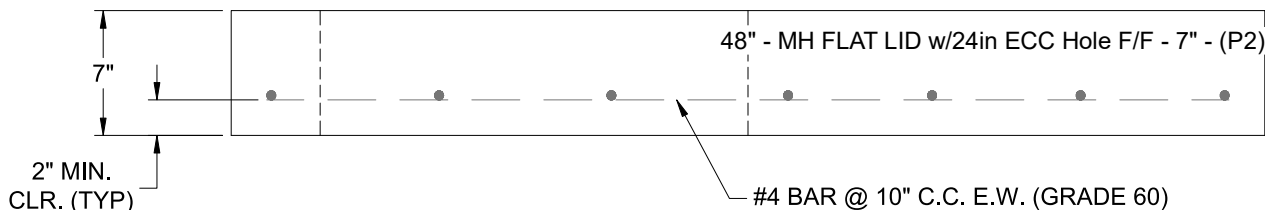
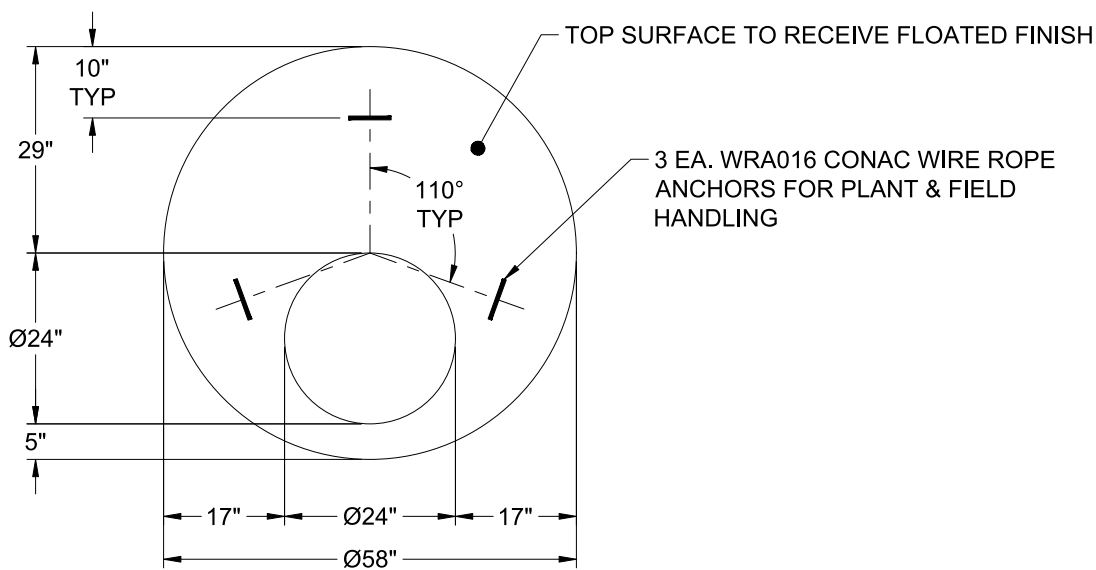
**P2 MH048LD07ECC**

**MH FLAT LID w/24in ECC Hole F/F**

- P3) 24" - CASTING HEIGHT - 7"
- P2) 48" - MH FLAT LID w/24in ECC Hole F/F - 7"
- P1) 48" - MH BASE F/n - 60"
- 1) CASTING - HOE MC-315 F/C Storm
- 1) 48" - Conseal CS-102 1.00"
- 2) Hole - 22
- 2) Hole - 18
- 5) MH Step ML-10-TDS-NCR - 10"

	0 lb
	1286 lb
	4974 lb
	258 lb
	0 lb
	0 lb
	0 lb
	0 lb
Structure Total:	6519 lb

- Structure Notes:**
1. HOE MC-315 FRAME & COVER "STORM" PROVIDED BY ICAST
  2. PER ASTM C-478 SPECIFICATIONS
  3. CONCRETE: 4,000 PSI AT 28 DAYS
  4. REINFORCEMENT: #4 BAR @ 10" C.C. E.W. (GRADE 60) - 2" MIN. REBAR CLEARANCE (TYP)
  5. STEPS AT 310 DEGREES
  6. LIFTERS: 3 EA. WRA016 CONAC WIRE ROPE ANCHORS FOR PLANT & FIELD HANDLING



Coating (Int):  
 Coating (Ext):

Seam Up: Flat  
 Seam Dn: Flat

Wall Thickness: 5"

Height (Ext): 7"

Weight (Net): 1286 lb  
 Volume (Net): 0.33cu.yd