

Job Name: 25-4583 - Housing Authority
 Job Location: Morgantown, KY 42261
 Contractor: Dirt Movers

Plant: 100
 12/30/2025 9:59:47 AM

Tech: J. Horsley - A
 PC: Trevor Lewis



Structure ID: 2 (9)

P1 MH048BA60

MH BASE F/n

- P3) 24" - CASTING HEIGHT - 7"
- P2) 48" - MH FLAT LID w/24in ECC Hole F/F - 7"
- P1) 48" - MH BASE F/n - 60"
- 1) CASTING - HOE MC-315 F/C Storm
- 1) 48" - Conseal CS-102 1.00"
- 2) Hole - 22
- 2) Hole - 18
- 5) MH Step ML-10-TDS-NCR - 10"

0 lb
 1286 lb
 4974 lb
 258 lb
 0 lb
 0 lb
 0 lb
 0 lb

 6519 lb

Structure Total:

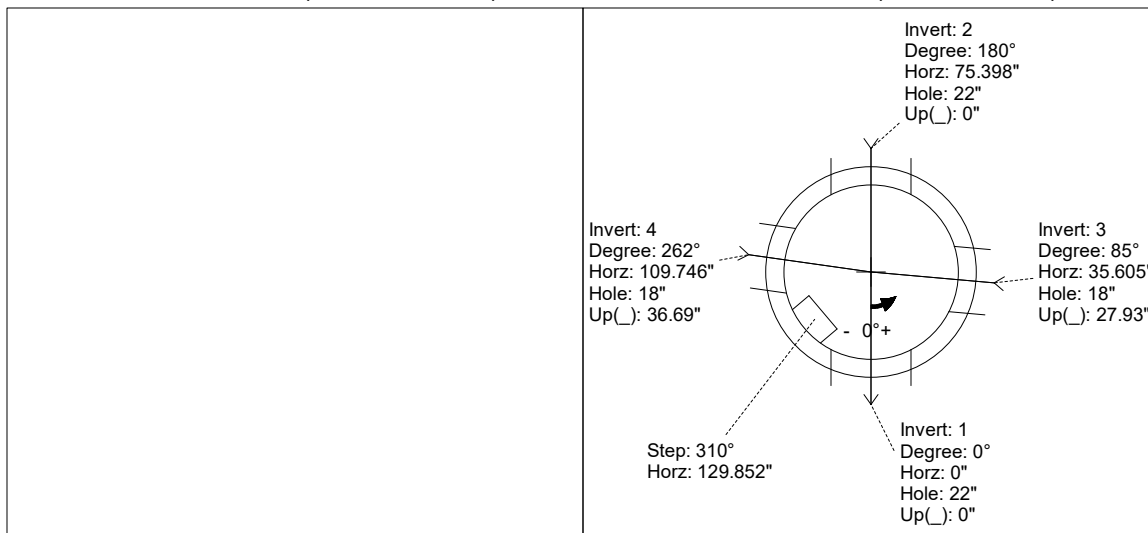
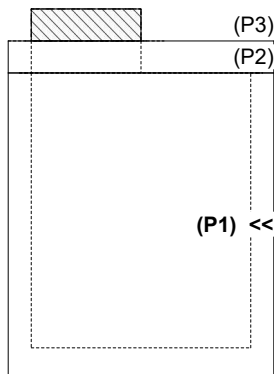
- Structure Notes:**
1. HOE MC-315 FRAME & COVER "STORM" PROVIDED BY ICAST
 2. PER ASTM C-478 SPECIFICATIONS
 3. CONCRETE: 4,000 PSI AT 28 DAYS
 4. REINFORCEMENT: PER ASTM A615
 5. STEPS AT 310 DEGREES

Rim: 506.1' Rim to Invert: 6.14' Slack: 0.18" Sump: 0.5" Step Position: 0°

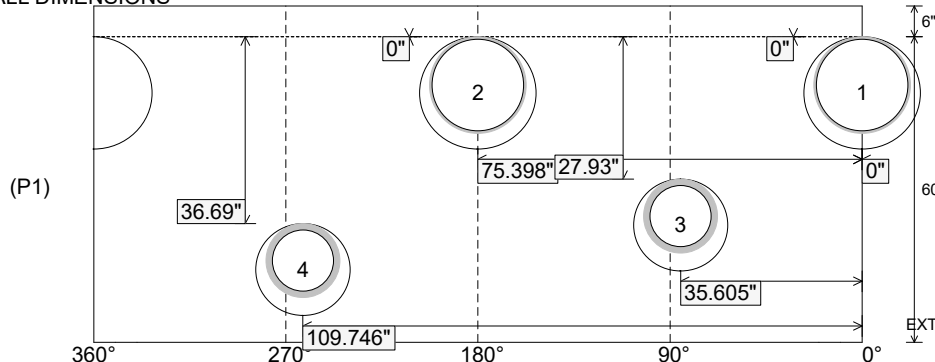
Position	Elev	Angle	Ext. (cw)	Pipe	Pipe OD	Connector	Hole	Horz Size	Up (↓)	Offset
Invert 1	499.96'	0°	0"	18" CMP	19"	Hole 22	22"	22.854"	0"	0"
Invert 2	499.96'	180°	91.106"	18" CMP	19"	Hole 22	22"	22.854"	0"	0"
Invert 3	502.35'	85°	43.022"	12" HDPE	14.5"	Hole 18	18"	18.451"	27.93"	0"
Invert 4	503.08'	262°	132.61"	12" HDPE	14.5"	Hole 18	18"	18.451"	36.69"	0"
Invert 5										
Invert 6										
Invert 7										
Invert 8										

RIGHT-SIDE UP VIEW (int. dimensions)

UPSIDE-DOWN VIEW (int. dimensions)



INSIDE WALL DIMENSIONS



Coating (Int):
 Coating (Ext):

Seam Up: Flat
 Seam Dn: n/a

Wall Thickness: 5"
 Floor Height: 6"

Height (Int): 60"
 Height (Ext): 66"

Weight (Net): 4974 lb
 Volume (Net): 1.27cu.yd