

Job Name: 25-4583 - Housing Authority  
 Job Location: Morgantown, KY 42261  
 Contractor: Dirt Movers

Plant: 100

Tech: J. Horsley - A

12/30/2025 10:00:25 AM

PC: Trevor Lewis



**Structure ID: 1C (4)**

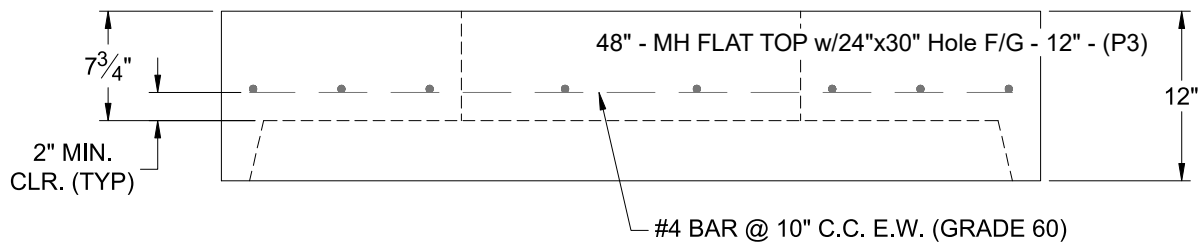
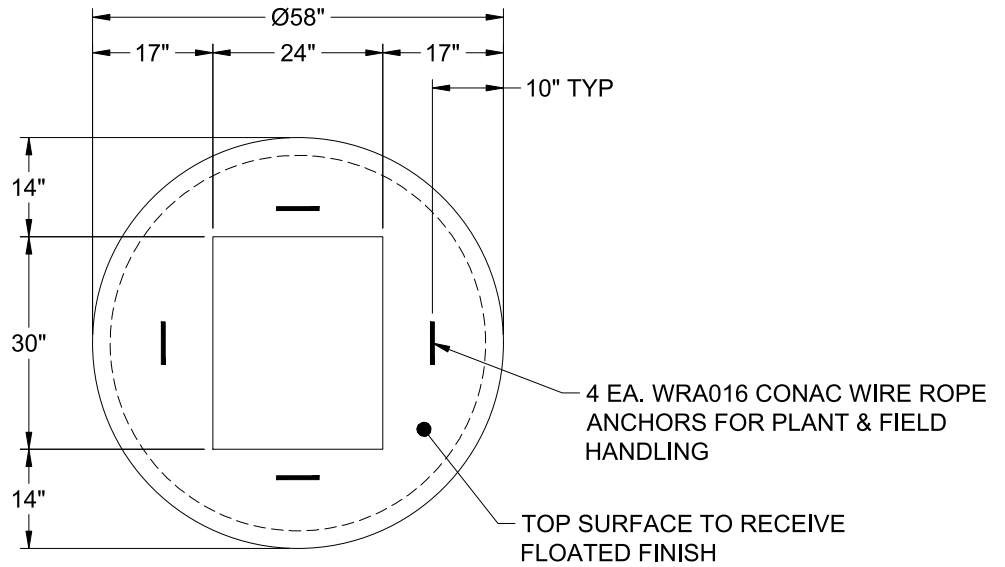
**P3 MH048LD12-24X30RECT**

**MH FLAT TOP w/24"x30" Hole F/G**

- P4) 24" x 30" - CASTING HEIGHT - 3.50"
- P3) 48" - MH FLAT TOP w/24"x30" Hole F/G - 12"
- P2) 48" - MH RISER T/G - 72"
- P1) 48" - MH BASE T/n - 48"
- 1) CASTING - HOE 275-A F/G
- 2) 48" - Conseal CS-102 1.00"
- 1) 24" x 30" - Conseal CS-102 1.00"
- 1) Hole - 28
- 1) Hole - 18
- 10) MH Step ML-10-TDS-NCR - 10"

0 lb  
 1935 lb  
 4921 lb  
 4411 lb  
 345 lb  
 0 lb  
 0 lb  
 0 lb  
 0 lb  
 0 lb  
 0 lb  
 Structure Total: 11612 lb

- Structure Notes:**
1. HOE 275-A FRAME & GRATE PROVIDED BY ICAST
  2. PER ASTM C-478 SPECIFICATIONS
  3. CONCRETE: 4,000 PSI AT 28 DAYS
  4. REINFORCEMENT: #4 BAR @ 10" C.C. E.W. (GRADE 60) - 2" MIN. REBAR CLEARANCE (TYP)
  5. STEPS AT 90 DEGREES
  6. LIFTERS: 4 EA. WRA016 CONAC WIRE ROPE ANCHORS FOR PLANT & FIELD HANDLING



Coating (Int):  
 Coating (Ext):

Seam Up: Flat  
 Seam Dn: Groove

Wall Thickness: 5"

Height (Ext): 12"

Weight (Net): 1935 lb  
 Volume (Net): 0.49cu.yd