

Job Name: 25-4583 - Housing Authority
Job Location: Morgantown, KY 42261
Contractor: Dirt Movers

PC: Trevor Lewis
 TECH: J. Horsley - A
 Plant: 100



Structure ID: **1A (2)**
 Spec: Storm
 Type: STM.MH
 Size: 48"

Rim: 456.7'
 Invert: 453.39'
 Rim to Invert: 3.31'

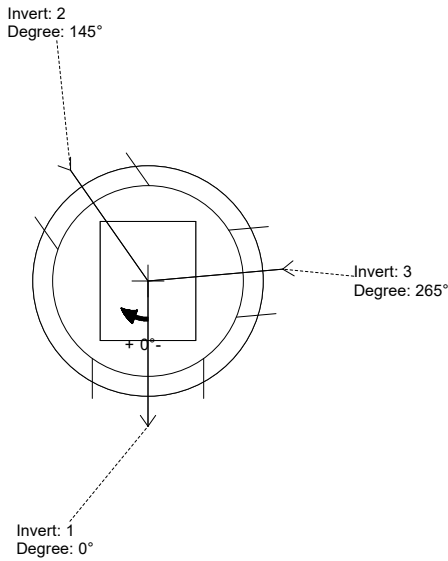
Sump: 0.5"
 Floor (Top): 453.348'
 Floor Height: 6"

Floor (Bot): 452.848'
 Overall Height: 3.792'
 Slack: 0.72"

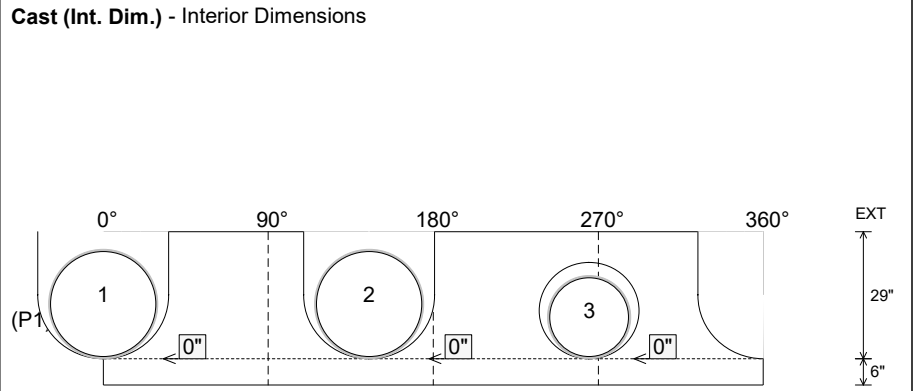
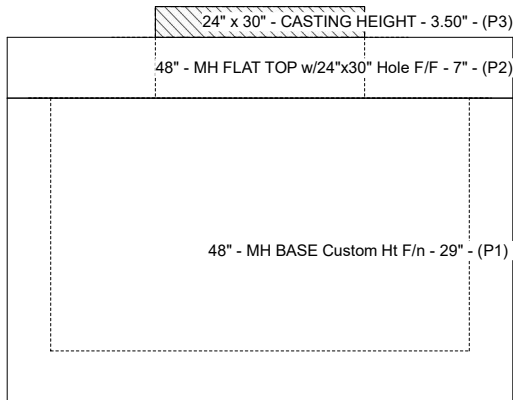
- Structure Notes:**
 PLAN LABEL: D.I. #1.A
 1. HOE 275-A FRAME & GRATE PROVIDED BY ICAST
 2. PER ASTM C-478 SPECIFICATIONS
 3. CONCRETE: 4,000 PSI AT 28 DAYS
 4. REINFORCEMENT:
 - FLAT LID: #4 BAR @ 10" C.C. E.W. (GRADE 60)
 - BASE: PER ASTM A615
 5. NO STEPS

STRUCTURE SUMMARY:

P3) 24" x 30" - CASTING HEIGHT - 3.50"	0 lb
P2) 48" - MH FLAT TOP w/24"x30" Hole F/F - 7"	1129 lb
P1) 48" - MH BASE Custom Ht F/n - 29"	2549 lb
1) CASTING - HOE 275-A F/G	345 lb
1) 48" - Conseal CS-102 1.00"	0 lb
1) 24" x 30" - Conseal CS-102 1.00"	0 lb
2) DOGHOUSE INVRTD - 28"x29"	0 lb
1) Hole - 22	0 lb
Structure Total:	4023 lb



Position	Elev	Angle	Pipe	Pipe OD	Hole	Connector	Up ()	Ref
Rim	456.7'							
Reducer								
Invert 1	453.39'	0°	24" CMP	25"	28" x 29"	DOGHOUSE INVRTD 28"x29"	0"	P1
Invert 2	453.39'	145°	24" CMP	25"	28" x 29"	DOGHOUSE INVRTD 28"x29"	0"	P1
Invert 3	453.39'	265°	18" CMP	19"	22"	Hole 22	0"	P1
Invert 4								
Invert 5								
Invert 6								
Invert 7								
Invert 8								



Submittal Drawing
 12/30/2025 9:52:53 AM

SUBMITTAL
 APPROVED BY: