

Job Name: 25-4583 - Housing Authority
Job Location: Morgantown, KY 42261
Contractor: Dirt Movers

PC: Trevor Lewis
 TECH: J. Horsley - A
 Plant: 100



Structure ID: 1 (8)
 Spec: Storm
 Type: STM.MH
 Size: 48"

Rim: 502.9'
 Invert: 497.71'
 Rim to Invert: 5.19'

Sump: 0.5"
 Floor (Top): 497.668'
 Floor Height: 6"

Floor (Bot): 497.168'
 Overall Height: 5.667'
 Slack: 0.78"

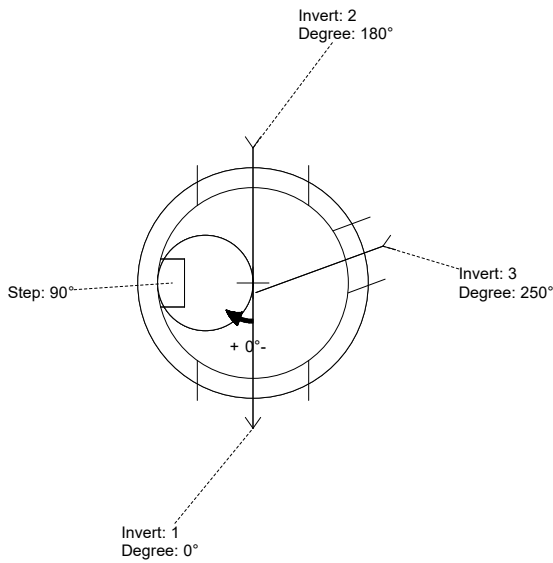
Structure Notes:

- PLAN LABEL: MH-1
 1. HOE MC-315 FRAME & COVER "STORM" PROVIDED BY ICAST
 2. PER ASTM C-478 SPECIFICATIONS
 3. CONCRETE: 4,000 PSI AT 28 DAYS
 4. REINFORCEMENT:
 - FLAT LID: #4 BAR @ 10" C.C. E.W. (GRADE 60)
 - BASE: PER ASTM A615
 5. STEPS AT 90 DEGREES

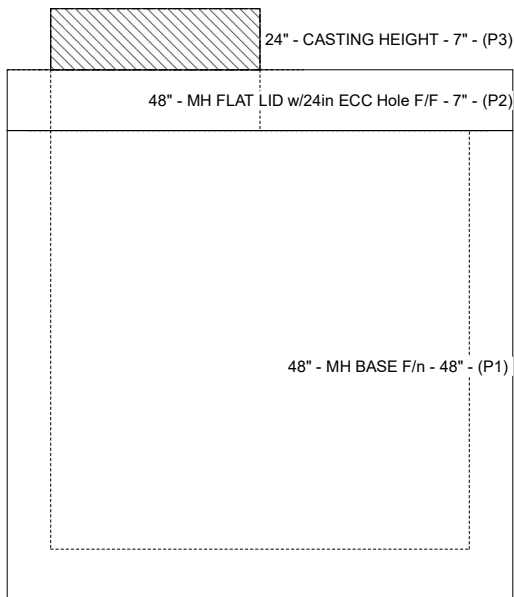
STRUCTURE SUMMARY:

- P3) 24" - CASTING HEIGHT - 7"
 P2) 48" - MH FLAT LID w/24in ECC Hole F/F - 7"
 P1) 48" - MH BASE F/n - 48"
 1) CASTING - HOE MC-315 F/C Storm
 1) 48" - Conseal CS-102 1.00"
 2) Hole - 28
 1) Hole - 16
 4) MH Step ML-10-TDS-NCR - 10"
- 0 lb
 1286 lb
 4052 lb
 258 lb
 0 lb
 0 lb
 0 lb
 0 lb

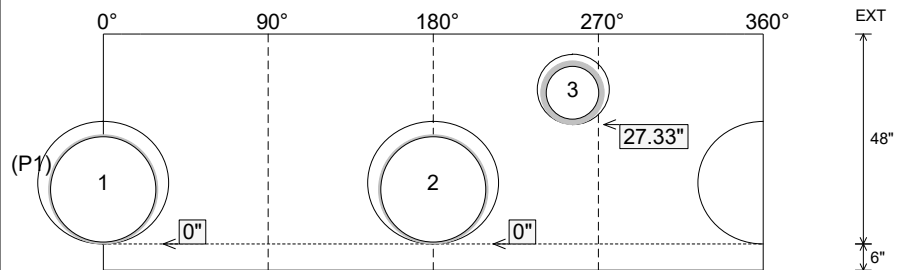
 0 lb
 Structure Total: 5596 lb



Position	Elev	Angle	Pipe	Pipe OD	Hole	Connector	Up (L)	Ref
Rim	502.9'							
Reducer								
Invert 1	497.71'	0°	24" CMP	25"	28"	Hole 28	0"	P1
Invert 2	497.71'	180°	24" CMP	25"	28"	Hole 28	0"	P1
Invert 3	500.05'	250°	12" HDPE	14.5"	16"	Hole 16	27.33"	P1
Invert 4								
Invert 5								
Invert 6								
Invert 7								
Invert 8								



Cast (Int. Dim.) - Interior Dimensions



Submittal Drawing
 12/30/2025 9:52:56 AM

SUBMITTAL
 APPROVED BY: