

Job Name: 25-4583 - Housing Authority
 Job Location: Morgantown, KY 42261
 Contractor: Dirt Movers

Plant: 100

Tech: J. Horsley - A

12/30/2025 10:00:25 AM

PC: Trevor Lewis



Structure ID: 1 (8)

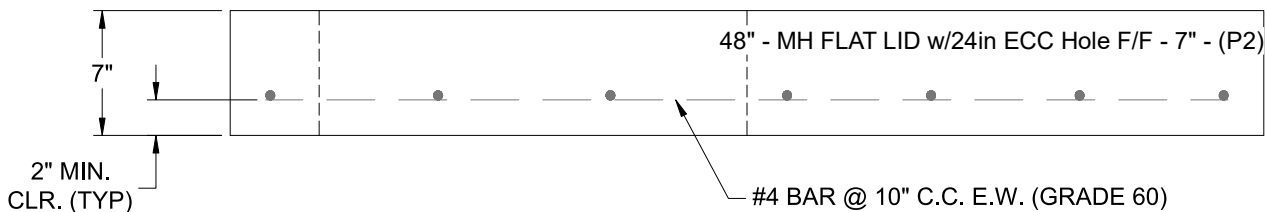
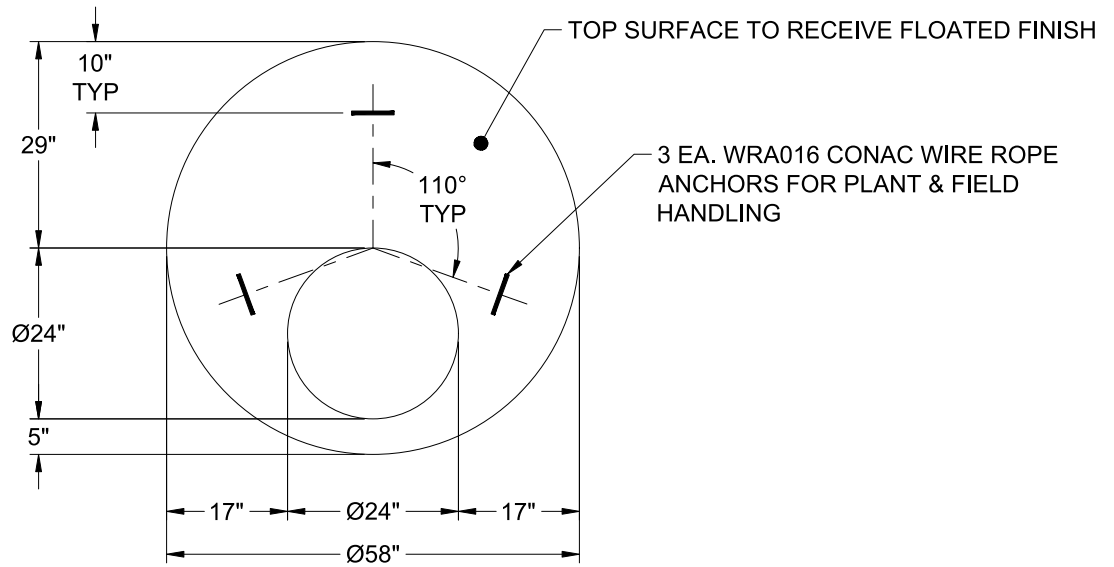
P2 MH048LD07ECC

MH FLAT LID w/24in ECC Hole F/F

- P3) 24" - CASTING HEIGHT - 7"
- P2) 48" - MH FLAT LID w/24in ECC Hole F/F - 7"
- P1) 48" - MH BASE F/n - 48"
- 1) CASTING - HOE MC-315 F/C Storm
- 1) 48" - Conseal CS-102 1.00"
- 2) Hole - 28
- 1) Hole - 16
- 4) MH Step ML-10-TDS-NCR - 10"

0 lb
 1286 lb
 4052 lb
 258 lb
 0 lb
 0 lb
 0 lb
 0 lb
 0 lb
 Structure Total: 5596 lb

- Structure Notes:**
1. HOE MC-315 FRAME & COVER "STORM" PROVIDED BY ICAST
 2. PER ASTM C-478 SPECIFICATIONS
 3. CONCRETE: 4,000 PSI AT 28 DAYS
 4. REINFORCEMENT: #4 BAR @ 10" C.C. E.W. (GRADE 60) - 2" MIN. REBAR CLEARANCE (TYP)
 5. STEPS AT 90 DEGREES
 6. LIFTERS: 3 EA. WRA016 CONAC WIRE ROPE ANCHORS FOR PLANT & FIELD HANDLING



Coating (Int):
 Coating (Ext):

Seam Up: Flat
 Seam Dn: Flat

Wall Thickness: 5"

Height (Ext): 7"

Weight (Net): 1286 lb
 Volume (Net): 0.33cu.yd