



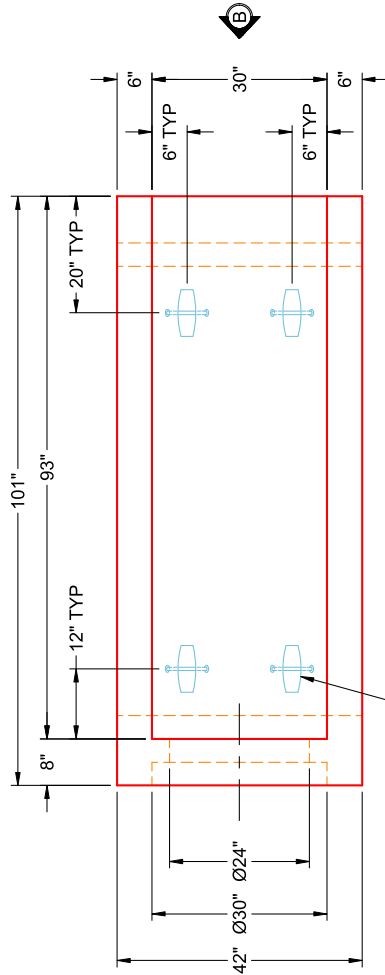
Structure ID: HW 10 (8)

P1 HWTDOT3-1TU24

24" - HW TDOT 3:1 Type U Cross Drain Endwall F/F

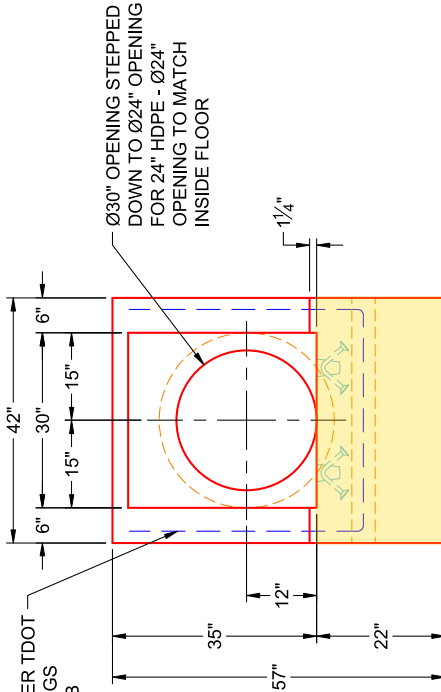
GENERAL NOTES:

- PER TDOT D-PE-24 SPECIFICATIONS
- CONCRETE: 4,500 PSI AT 28 DAYS
- REINFORCEMENT: PER TDOT STANDARD DRAWINGS D-PE-24A & D-PE-24B
- WEIGHT: 5,005 LBS
 - FIRST POUR: 2,860 LBS
 - SECOND POUR: 2,145 LBS



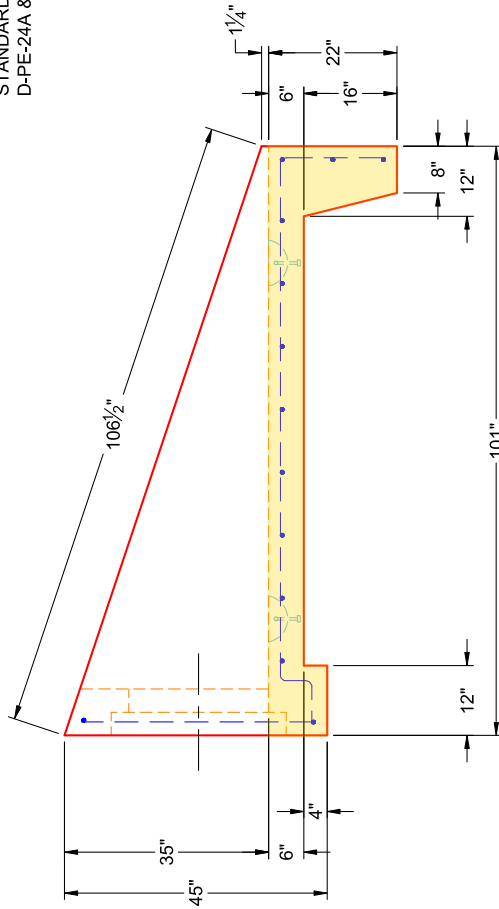
4 EA. SCA14 CONAC A-ANCHORS FOR PLANT & FIELD HANDLING

PLAN VIEW (RIGHT SIDE UP)



VIEW B (RIGHT SIDE UP)

REINFORCEMENT PER TDOT STANDARD DRAWINGS D-PE-24A & D-PE-24B



VIEW A (RIGHT SIDE UP)

| PRODUCTION WORK ORDER | | PRODUCT I.D.: | HWTDOT3-1TU24 |
|--|---|--|----------------|
| QUALITY CONTROL CHECKLIST | | PRODUCT VIEW: | RIGHT SIDE UP |
| <input type="checkbox"/> ALL DIMENSIONS CORRECT. | <input type="checkbox"/> ALL DIMENSIONS CORRECT. <input type="checkbox"/> LIFTERS INSTALLED. <input type="checkbox"/> OPENING CENTERED. <input type="checkbox"/> REINFORCING CORRECT. <input type="checkbox"/> SURFACE QUALITY ACCEPTABLE. <input type="checkbox"/> EDGES CHAMFERED. <input type="checkbox"/> ALL PATCHWORK ACCEPTABLE. | PLANT: | BEAVER DAM, KY |
| <input type="checkbox"/> REINFORCEMENT CORRECT. | | WEIGHT: | 5,005 LBS |
| <input type="checkbox"/> EDGES CHAMFERED. | | TOP SECTION JOINT: | N / A |
| <input type="checkbox"/> ALL PATCHWORK ACCEPTABLE. | | BASE SECTION JOINT: | N / A |
| | | QC CHECK INITIALS: | |
| | | | |
| DESCRIPTION: | | 24" TDOT D-PE-24 TYPE "U" CROSS DRAIN EW 3:1 | |
| CUSTOMER: | | PARKER EXCAVATING, LLC | |
| PROJECT: | | GOVERNMENT CENTER | |
| STRUCTURE: | | HW 10 (8) | |
| ORDER NO.: | | 25-4566 | |
| PE: | | J.H. ROSS | |
| DRAWING: | | K. CARDWELL | |
| DATE: | | 04/03/26 | |
| SCALE: | | NTS | |
| PG. | | 1 OF 1 | |

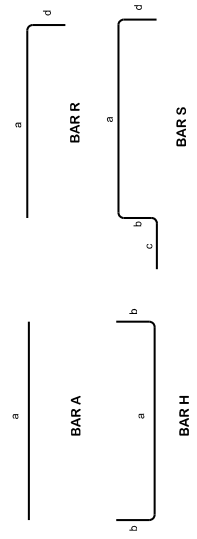


THIS DRAWING IS THE PROPERTY OF INFRASTRUCTURE PRECAST, INC. ANY USE OR DUPLICATION OF THIS DRAWING WITHOUT PRIOR AUTHORIZATION IS STRICTLY PROHIBITED.

BILL OF STEEL

| CODE NO. | LOCATION | BAR SIZE | 3:1 WINGWALL SLOPE | | | | 4:1 WINGWALL SLOPE | | | | 6:1 WINGWALL SLOPE | | | | | | |
|-------------|------------------------|----------|---|-----------|-------|-------|--------------------|------------|-----------|-------|--------------------|---|--------|-------|-----|--------|---|
| | | | a | b | c | d | REQD | NO. | LENGTH | a | b | c | d | REQD | NO. | LENGTH | |
| A400 | TOEWALL | 4 | 3'-2" | - | - | - | 3 | 3'-2" | - | - | - | - | 3 | 3'-2" | - | - | - |
| A431 | WINGWALLS | 4 | 7'-4" | - | - | - | 2 | 7'-4" | - | - | - | - | - | - | - | - | - |
| A432 | WINGWALLS | 4 | 4'-4" | - | - | - | 2 | 4'-4" | - | - | - | - | - | - | - | - | - |
| A433 | WINGWALLS | 4 | 7'-10" | - | - | - | 2 | 7'-10" | - | - | - | - | - | - | - | - | - |
| A441 | WINGWALLS | 4 | - | - | - | - | - | 9'-10" | - | - | - | - | - | - | - | - | - |
| A442 | WINGWALLS | 4 | - | - | - | - | - | 5'-10" | - | - | - | - | - | - | - | - | - |
| A443 | WINGWALLS | 4 | - | - | - | - | - | 10'-4" | - | - | - | - | - | - | - | - | - |
| A461 | WINGWALLS | 4 | - | - | - | - | - | - | - | - | - | - | - | - | - | - | - |
| A462 | WINGWALLS | 4 | - | - | - | - | - | - | - | - | - | - | - | - | - | - | - |
| A463 | WINGWALLS | 4 | - | - | - | - | - | - | - | - | - | - | - | - | - | - | - |
| A701 | HEADWALL | 7 | 1'-8" | - | - | - | 2 | 1'-8" | - | - | - | - | 2 | 1'-8" | - | - | - |
| A702 | HEADWALL | 7 | 3'-2" | - | - | - | 1 | 3'-2" | - | - | - | - | 1 | 3'-2" | - | - | - |
| SERIES H430 | BOTTOM SLAB & WINGWALL | 4 | 3'-2" | - | - | - | 1 | 43'-9" | - | - | - | - | - | - | - | - | - |
| | | | * DIMENSION "b" VARIES FROM 2'-6 1/2" TO 0'-5 1/2" IN INCREMENTS OF 0'-4" (7 BARS) | | | | | | | | | | | | | | |
| H431 | BOTTOM SLAB & HEADWALL | 4 | 3'-2" | - | - | - | 1 | 9'-7" | - | - | - | - | - | - | - | - | - |
| SERIES H440 | BOTTOM SLAB & WINGWALL | 4 | - | - | - | - | - | - | - | - | - | - | - | - | - | - | - |
| | | | * DIMENSION "b" VARIES FROM 2'-7 7/8" TO 0'-7 7/8" IN INCREMENTS OF 0'-3" (9 BARS) | | | | | | | | | | | | | | |
| H441 | BOTTOM SLAB & HEADWALL | 4 | - | - | - | - | - | 9'-7 3/8" | - | - | - | - | - | - | - | - | - |
| SERIES H460 | BOTTOM SLAB & WINGWALL | 4 | - | - | - | - | - | - | - | - | - | - | - | - | - | - | - |
| | | | * DIMENSION "b" VARIES FROM 2'-9 1/2" TO 0'-7 1/2" IN INCREMENTS OF 0'-2" (14 BARS) | | | | | | | | | | | | | | |
| H461 | BOTTOM SLAB & HEADWALL | 4 | - | - | - | - | - | - | - | - | - | - | - | - | - | - | - |
| R431 | WINGWALL & HEADWALL | 4 | 1'-4" | - | - | - | 2 | 2'-0" | - | - | - | - | - | - | - | - | - |
| R441 | WINGWALL & HEADWALL | 4 | - | - | - | - | - | 1'-10" | - | - | - | - | - | - | - | - | - |
| R461 | WINGWALL & HEADWALL | 4 | - | - | - | - | - | - | - | - | - | - | - | - | - | - | - |
| S430 | BOTTOM SLAB & TOEWALL | 4 | 7'-4 1/2" | 0'-4 1/2" | 0'-8" | 1'-5" | 6 | 9'-10" | - | - | - | - | - | - | - | - | - |
| S440 | BOTTOM SLAB & TOEWALL | 4 | - | - | - | - | - | 9'-11 1/2" | 0'-4 1/2" | 0'-8" | 1'-5" | 5 | 12'-5" | - | - | - | - |
| S460 | BOTTOM SLAB & TOEWALL | 4 | - | - | - | - | - | - | - | - | - | - | - | - | - | - | - |
| | | | * DIMENSION "b" VARIES FROM 0'-4 1/2" TO 0'-8" IN INCREMENTS OF 0'-4 1/2" (14 BARS) | | | | | | | | | | | | | | |

REINFORCING STEEL LEGEND



REINFORCING STEEL CODE

| TYPE | SIZE | SERIES |
|------|------|--------|
| A | 5 | 06 |

DIMENSIONS SHOWN ON THIS SHEET ARE OUTSIDE TO OUTSIDE OF BAR. STANDARD C.R. S.I. HOOK DETAILS SHALL APPLY, EXCEPT AS NOTED.

PRECAST NOTES

- PRECAST UNITS:**
- THE CONTRACTOR MAY, WITH PERMISSION FROM THE ENGINEER, SUBSTITUTE PRECAST ENDWALLS FOR CAST-IN-PLACE ENDWALLS PROVIDED THAT:**
- ① APPROPRIATE SIZING AND LOCATION OF THE LIFTING INSERTS SHALL BE THE RESPONSIBILITY OF THE FABRICATOR TO ASSURE BALANCED HANDLING DURING INSTALLATION OF THE PRECAST ENDWALL.
 - ② THE CONTRACTOR TO PATCH ALL LIFTING INSERT HOLES AND PLACE A MINIMUM OF ONE (1) INCH OF COVER OVER THE HARDWARE OF THESE DEVICES ON BOTH TOP AND BOTTOM SURFACES.
 - ③ PAYMENT FOR PRECAST ENDWALLS BASED ON THE QUANTITIES FOR CAST-IN-PLACE ENDWALLS IS ACCEPTABLE.
 - ④ PRECAST ENDWALL UNITS WHICH ARE DAMAGED DURING SURNAME OR INSTALLATION WILL BE REJECTED. IT SHALL BE THE RESPONSIBILITY OF THE CONTRACTOR TO REPLACE THE DAMAGED ENDWALL UNITS AT HIS OWN EXPENSE.
 - ⑤ PIPE OPENINGS FOR HEADWALLS ARE BASED ON REINFORCED CONCRETE PIPE WITH TYPE "B" WALL THICKNESS (ASHTO M70).
 - ⑥ ADDITIONAL REINFORCING STEEL NECESSARY TO MAINTAIN THE INTEGRITY OF THE STRUCTURE DURING HANDLING AND PLACEMENT SHALL BE THE RESPONSIBILITY OF THE FABRICATOR.
- CONCRETE: Fc=4,500 POUNDS PER SQUARE INCH MINIMUM AT 28 DAYS.
REINFORCING STEEL: ASTM A615, Fy=60,000 POUNDS PER SQUARE INCH.



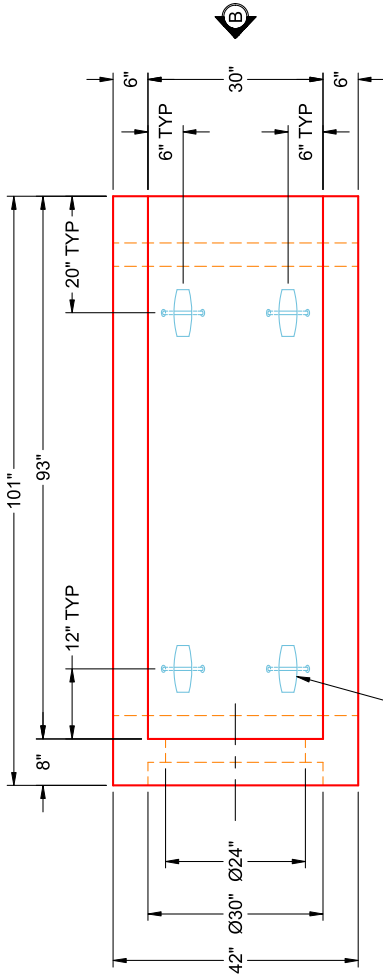
Structure ID: HW 10 (8)

P1 HWTDOT3-1TU24

24" - HW TDOT 3:1 Type U Cross Drain Endwall F/F

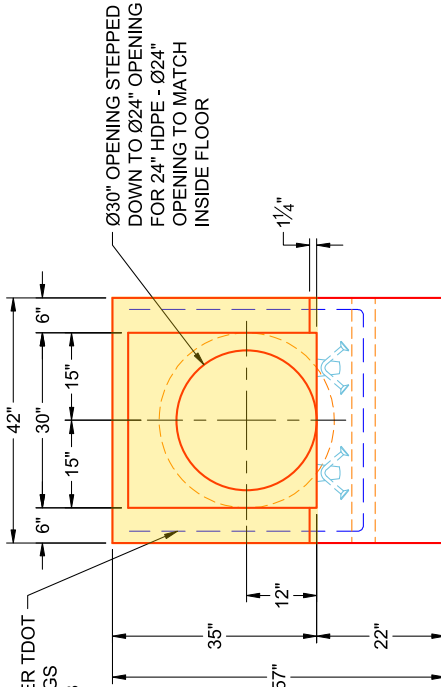
GENERAL NOTES:

- PER TDOT D-PE-24 SPECIFICATIONS
- CONCRETE: 4,500 PSI AT 28 DAYS
- REINFORCEMENT: PER TDOT STANDARD DRAWINGS D-PE-24A & D-PE-24B
- WEIGHT: 5,005 LBS
 - FIRST POUR: 2,860 LBS
 - SECOND POUR: 2,145 LBS



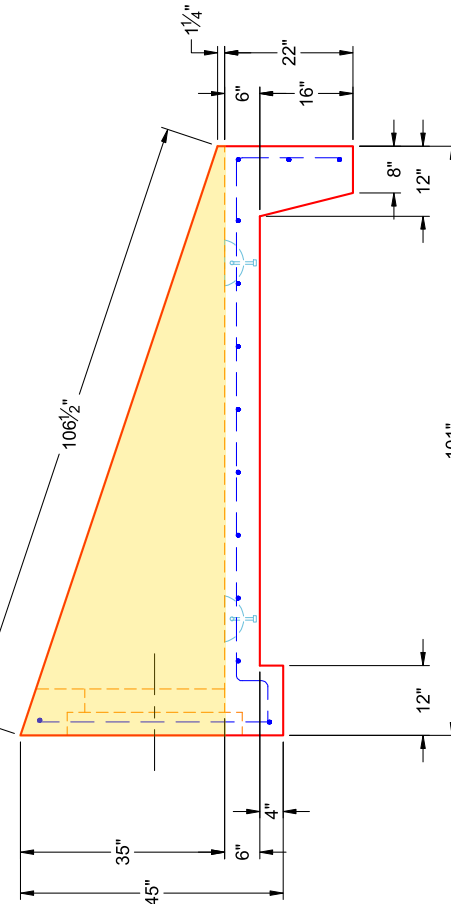
4 EA. SCA14 CONAC A-ANCHORS FOR PLANT & FIELD HANDLING

**PLAN VIEW
(RIGHT SIDE UP)**




**VIEW B
(RIGHT SIDE UP)**

REINFORCEMENT PER TDOT STANDARD DRAWINGS D-PE-24A & D-PE-24B

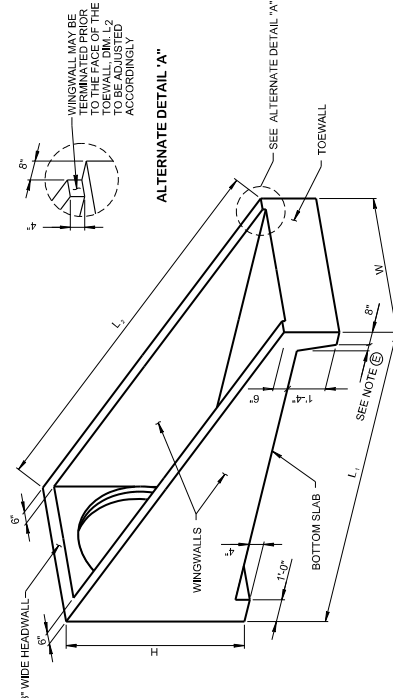


**VIEW A
(RIGHT SIDE UP)**

| PRODUCTION WORK ORDER | | PRODUCT I.D.: | HWTDOT3-1TU24 |
|--|--|---------------|--|
| QUALITY CONTROL CHECKLIST <input type="checkbox"/> ALL DIMENSIONS CORRECT. <input type="checkbox"/> LIFTERS INSTALLED. <input type="checkbox"/> OPENING CENTERED. <input type="checkbox"/> REINFORCING CORRECT. <input type="checkbox"/> SURFACE QUALITY ACCEPTABLE. <input type="checkbox"/> EDGES CHAMFERED. <input type="checkbox"/> ALL PATCHWORK ACCEPTABLE. | | DESCRIPTION: | 24" TDOT D-PE-24 TYPE "U" CROSS DRAIN EW 3:1 |
|  | | CUSTOMER: | PARKER EXCAVATING, LLC |
| | | PROJECT: | GOVERNMENT CENTER |
| | | STRUCTURE: | HW 10 (8) |
| | | ORDER NO.: | 25-4566 |
| | | PE: | J.H. ROSS |
| | | DRAWING: | K. CARDWELL |
| | | DATE: | 04/03/26 |
| | | SCALE: | NTS |
| | | PG. | 1 OF 1 |

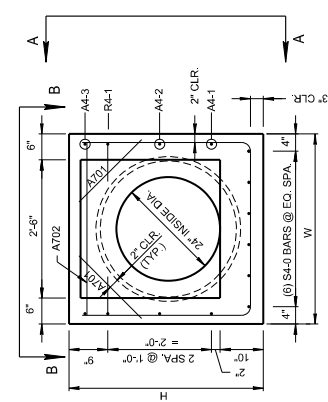
THIS DRAWING IS THE PROPERTY OF INFRASTRUCTURE PRECAST, INC. ANY USE OR DUPLICATION OF THIS DRAWING WITHOUT PRIOR AUTHORIZATION IS STRICTLY PROHIBITED.

- REV 6-14-13 REVISED NOTES.
- ADDED NOTE (C) AND (I)
- REV 1-5-15 REVISED HOLE OPENING SIZE. ADDED STEPPED HOLE DETAIL.
- REV 1-31-16 REVISED GENERAL NOTE (E)
- REV 7-5-17 MODIFIED GENERAL NOTES (C) AND (I)
- REV 06-28-19 ADJUSTED A-A, B-B AND ELEVATION VIEWS. RENAMED AND RE-DREW SHEET.

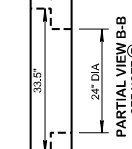


ISOMETRIC VIEW

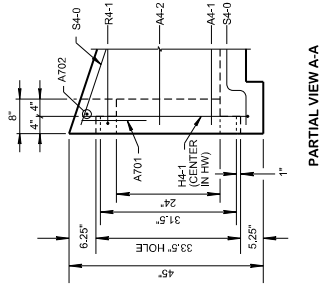
NOTE: 3/8" CHAMFER REQUIRED ON ALL EXPOSED EDGES



ELEVATION



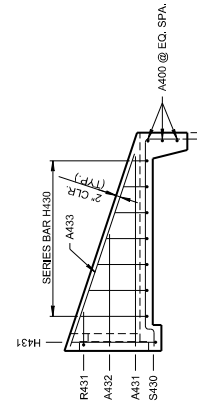
PARTIAL VIEW B-B
SEE NOTE (C)



PARTIAL VIEW A-A

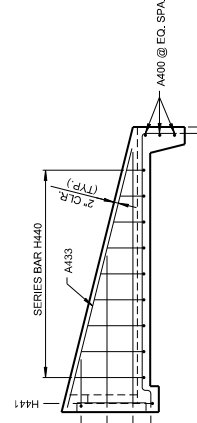
HEADWALL DETAILS

NOTE: INSTALL BARS A701 AT 45°
SEE GENERAL NOTES (C) & (I)



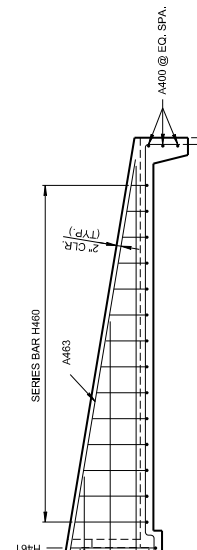
3:1 WINGWALL ELEVATION

NOTE: A-BARS IN HEADWALL NOT SHOWN FOR CLARITY.



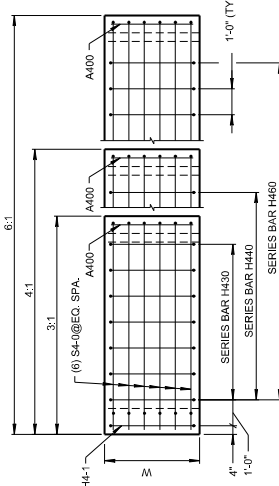
4:1 WINGWALL ELEVATION

NOTE: A-BARS IN HEADWALL NOT SHOWN FOR CLARITY.

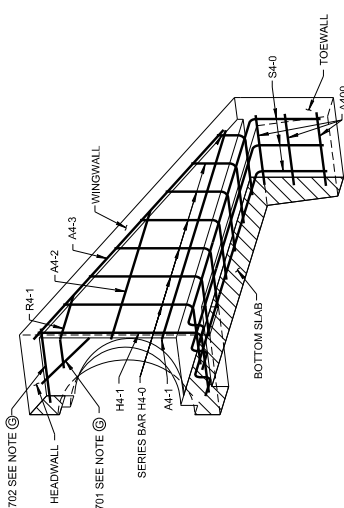


6:1 WINGWALL ELEVATION

NOTE: A-BARS IN HEADWALL NOT SHOWN FOR CLARITY.



BOTTOM SLAB PLAN



ISOMETRIC HALF-SECTION
SHOWING REINFORCEMENT

(3:1 SHOWN; 4:1 & 6:1 SIMILAR)
SEE GENERAL NOTE (C)

GENERAL NOTES

- (A) DRAWING TO BE USED FOR ALL CAST-IN-PLACE AND ALL PRECAST CONCRETE. ALL REINFORCEMENT SHALL BE CAST-IN-PLACE UNLESS OTHERWISE NOTED. ENDWALL TO BE PLACED AT 90° SKEW TO CENTERLINE. SEE STD. DWG. D-PE-99 FOR SKEWED CONNECTION DETAIL WHEN CROSS DRAIN IS NOTED. ALL REINFORCEMENT SHALL BE CAST IN ACCORDANCE WITH THE STANDARD SPECIFICATIONS. SECTION 611 AND/OR SPECIAL PROVISIONS.
- (B) SEE STD. DWG. D-PE-246 FOR BILL OF STEEL & PRECAST NOTES.
- (C) *- IN BAR DESIGNATION REPRESENTS 3, 4 OR 6 FOR 3:1, 4:1 OR 6:1 SLOPES, RESPECTIVELY. SEE STD. DWG. D-PE-248.
- (D) SPLICING OF REINFORCEMENT IS ACCEPTABLE PROVIDED THAT A MINIMUM 21" SPLICE LENGTH IS USED.
- (E) TOEWALL BACK SLOPE MAY BE CONSTRUCTED VARIABLE FROM VERTICAL UP TO 15°.
- (F) 90° STEPS ARE SHOWN ON THE STEPPED HOLE DETAIL. HOWEVER MINOR VARIATIONS OF THE TAPER ARE ACCEPTABLE.
- (G) OPTIONAL STEPPED HOLE OR HOLE FORMERS ARE ALLOWED PROVIDED THE AMOUNT OF COVER BETWEEN THE PIPE OPENING AND BARS 701 AND A702 IS THE SAME OR GREATER THAN SHOWN ON THIS DRAWING.
- (H) PAYMENT WILL BE MADE UNDER:

| | | | |
|-----------|---------------------------|-----|------|
| 611-07.57 | 24" ENDWALL (CROSS DRAIN) | 3:1 | EACH |
| 611-07.58 | 24" ENDWALL (CROSS DRAIN) | 4:1 | EACH |
| 611-07.59 | 24" ENDWALL (CROSS DRAIN) | 5:1 | EACH |
- (I) THE CONTRACTOR MAY BE ELECTED TO SUBSTITUTE AN APPROVED ALTERNATIVE DESIGN.
- (J) DIMENSIONAL AND REINFORCING TOLERANCES WILL BE AS SHOWN IN STANDARD OPERATING PROCEDURE (SOP) 5-3.

DIMENSIONS AND QUANTITIES FOR ONE ENDWALL 24" PIPE

| SLOPE | CONCRETE ENDWALL DIMENSIONS | | | | ESTIMATED QUANTITIES | |
|-------|-----------------------------|----------------|----------------|-------|-------------------------|----------------------|
| | H | L ₁ | L ₂ | W | CLASS "A" CONC. CU. YD. | STEEL BAR REINF. LB. |
| 3:1 | 8'-5" | 8'-10 1/2" | 12' | 124 | 1.28 | 124 |
| 4:1 | 3'-9" | 11'-0" | 11'-4" | 3'-9" | 1.61 | 153 |
| 6:1 | 16'-2" | 16'-4 1/2" | 16'-4 1/2" | 3'-9" | 2.26 | 215 |

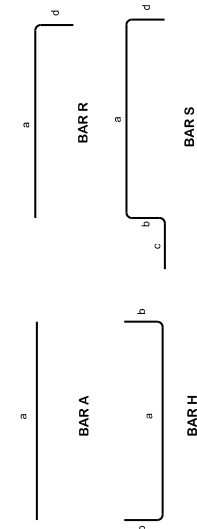
BILL OF STEEL

| CODE NO. | LOCATION | BAR SIZE | 3:1 WINGWALL SLOPE | | | | 4:1 WINGWALL SLOPE | | | | 6:1 WINGWALL SLOPE | | | | | | |
|-------------|------------------------|----------|---|-----------|-------|-------|--------------------|------------|-----------|-------|--------------------|---|--------|------|-----|--------|-------|
| | | | a | b | c | d | REQD | NO. | LENGTH | a | b | c | d | REQD | NO. | LENGTH | |
| A400 | TOEWALL | 4 | 3'-2" | - | - | - | 3 | 3'-2" | - | - | - | 3 | 3'-2" | - | - | 3 | 3'-2" |
| A431 | WINGWALLS | 4 | 7'-4" | - | - | - | 2 | 7'-4" | - | - | - | - | - | - | - | - | - |
| A432 | WINGWALLS | 4 | 4'-4" | - | - | - | 2 | 4'-4" | - | - | - | - | - | - | - | - | - |
| A433 | WINGWALLS | 4 | 7'-10" | - | - | - | 2 | 7'-10" | - | - | - | - | - | - | - | - | - |
| A441 | WINGWALLS | 4 | - | - | - | - | - | 9'-10" | - | - | - | - | - | - | - | - | - |
| A442 | WINGWALLS | 4 | - | - | - | - | - | 5'-10" | - | - | - | - | - | - | - | - | - |
| A443 | WINGWALLS | 4 | - | - | - | - | - | 10'-4" | - | - | - | - | - | - | - | - | - |
| A461 | WINGWALLS | 4 | - | - | - | - | - | - | - | - | - | - | - | - | - | - | - |
| A462 | WINGWALLS | 4 | - | - | - | - | - | - | - | - | - | - | - | - | - | - | - |
| A463 | WINGWALLS | 4 | - | - | - | - | - | - | - | - | - | - | - | - | - | - | - |
| A701 | HEADWALL | 7 | 1'-8" | - | - | - | 2 | 1'-8" | - | - | - | 2 | 1'-8" | - | - | 2 | 1'-8" |
| A702 | HEADWALL | 7 | 3'-2" | - | - | - | 1 | 3'-2" | - | - | - | 1 | 3'-2" | - | - | 1 | 3'-2" |
| SERIES H430 | BOTTOM SLAB & WINGWALL | 4 | 3'-2" | - | - | - | 1 | 43'-9" | - | - | - | - | - | - | - | - | - |
| | | | * DIMENSION "b" VARIES FROM 2'-6 1/2" TO 0'-6 1/2" IN INCREMENTS OF 0'-4" (7 BARS) | | | | | | | | | | | | | | |
| H431 | BOTTOM SLAB & HEADWALL | 4 | 3'-2" | - | - | - | 1 | 9'-7" | - | - | - | - | - | - | - | - | - |
| SERIES H440 | BOTTOM SLAB & WINGWALL | 4 | - | - | - | - | - | - | - | - | - | - | - | - | - | - | - |
| | | | * DIMENSION "b" VARIES FROM 2'-7 7/8" TO 0'-7 7/8" IN INCREMENTS OF 0'-3" (9 BARS) | | | | | | | | | | | | | | |
| H441 | BOTTOM SLAB & HEADWALL | 4 | - | - | - | - | - | 9'-7 3/8" | - | - | - | - | - | - | - | - | - |
| SERIES H460 | BOTTOM SLAB & WINGWALL | 4 | - | - | - | - | - | - | - | - | - | - | - | - | - | - | - |
| | | | * DIMENSION "b" VARIES FROM 2'-9 1/2" TO 0'-7 1/2" IN INCREMENTS OF 0'-2" (14 BARS) | | | | | | | | | | | | | | |
| H461 | BOTTOM SLAB & HEADWALL | 4 | - | - | - | - | - | - | - | - | - | - | - | - | - | - | - |
| R431 | WINGWALL & HEADWALL | 4 | 1'-4" | - | - | - | 2 | 2'-0" | - | - | - | - | - | - | - | - | - |
| R441 | WINGWALL & HEADWALL | 4 | - | - | - | - | - | 1'-10" | - | - | - | - | - | - | - | - | - |
| R461 | WINGWALL & HEADWALL | 4 | - | - | - | - | - | - | - | - | - | - | - | - | - | - | - |
| S430 | BOTTOM SLAB & TOEWALL | 4 | 7'-4 1/2" | 0'-4 1/2" | 0'-8" | 1'-5" | 6 | 9'-10" | - | - | - | - | - | - | - | - | - |
| S440 | BOTTOM SLAB & TOEWALL | 4 | - | - | - | - | - | 9'-11 1/2" | 0'-4 1/2" | 0'-8" | 1'-5" | 5 | 12'-5" | - | - | - | - |
| S460 | BOTTOM SLAB & TOEWALL | 4 | - | - | - | - | - | - | - | - | - | - | - | - | - | - | - |
| | | | * DIMENSION "b" VARIES FROM 0'-4 1/2" TO 0'-8" IN INCREMENTS OF 0'-4 1/2" (14 BARS) | | | | | | | | | | | | | | |

REINFORCING STEEL CODE

| TYPE | SIZE | SERIES |
|------|------|--------|
| A | 5 | 06 |

DIMENSIONS SHOWN ON THIS SHEET ARE OUTSIDE TO OUTSIDE OF BAR.
STANDARD C.R. S.I. HOOK DETAILS SHALL APPLY, EXCEPT AS NOTED.



REINFORCING STEEL LEGEND

PRECAST UNITS:
THE CONTRACTOR MAY, WITH PERMISSION FROM THE ENGINEER, SUBSTITUTE PRECAST ENDWALLS FOR CAST-IN-PLACE ENDWALLS PROVIDED THAT:
 (1) APPROPRIATE SIZING AND LOCATION OF THE LIFTING INSERTS SHALL BE THE RESPONSIBILITY OF THE FABRICATOR TO ASSURE BALANCED HANDLING DURING INSTALLATION OF THE PRECAST ENDWALL.
 (2) THE CONTRACTOR TO PATCH ALL LIFTING INSERT HOLES AND PLACE A MINIMUM OF ONE (1) INCH OF COVER OVER THE HARDWARE OF THESE DEVICES ON BOTH TOP AND BOTTOM SURFACES.
 (3) PAYMENT FOR PRECAST ENDWALLS BASED ON THE QUANTITIES FOR CAST-IN-PLACE ENDWALLS IS ACCEPTABLE.
 (4) PRECAST ENDWALL UNITS WHICH ARE DAMAGED DURING SHIPMENT OR INSTALLATION WILL BE REJECTED. IT SHALL BE THE RESPONSIBILITY OF THE CONTRACTOR TO REPLACE THE DAMAGED ENDWALL UNITS AT HIS OWN EXPENSE.
 (5) PIPE OPENINGS FOR HEADWALLS ARE BASED ON REINFORCED CONCRETE PIPE WITH TYPE "B" WALL THICKNESS (ASHTO M70).
 (6) ADDITIONAL REINFORCING STEEL NECESSARY TO MAINTAIN THE INTEGRITY OF THE STRUCTURE DURING HANDLING AND PLACEMENT SHALL BE THE RESPONSIBILITY OF THE FABRICATOR.
 CONCRETE: Fc=4,500 POUNDS PER SQUARE INCH MINIMUM AT 28 DAYS.
 REINFORCING STEEL: ASTM A615, Fy=60,000 POUNDS PER SQUARE INCH.

PRECAST NOTES

STATE OF TENNESSEE
DEPARTMENT OF TRANSPORTATION
TYPE "U"
CROSS DRAIN ENDWALL
FOR 24" PIPE,
BILL OF STEEL AND
PRECAST NOTES