

Job Name: 25-4559 - Lee Property Sanitary Sewers
Job Location: Leitchfield, KY
Contractor: Second Look Lawn & Landscape

PC: T. Lewis
 TECH: J. Horsley - F
 Plant: 100



Structure ID: **MH-S3 (5)**
 Spec: Sanitary
 Type: SAN.MH
 Size: 48"

Rim: 726.38'
 Invert: 718.38'
 Rim to Invert: 8'

Sump: 2"
 Floor (Top): 718.213'
 Floor Height: 6"

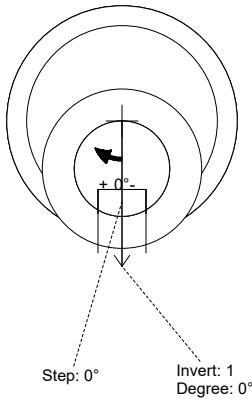
Floor (Bot): 717.713'
 Overall Height: 8.417'
 Slack: 3"

Structure Notes:

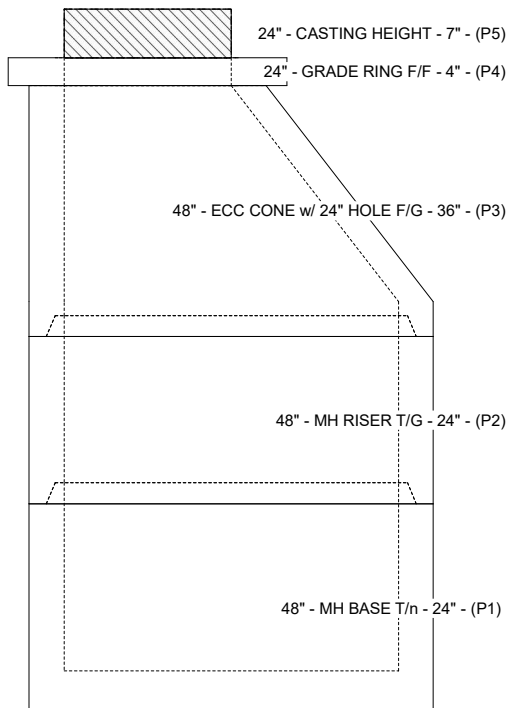
1. PER ASTM C-478 SPECIFICATIONS
2. CONCRETE: 4,000 PSI AT 28 DAYS
3. REINFORCEMENT: PER ASTM A615
4. INVERT CHANNEL REQUIRED
5. STEPS AT 0 DEGREES
6. CASTING BY ICAST (HOE MC-375-SS FRAME & COVER "SANITARY")

STRUCTURE SUMMARY:

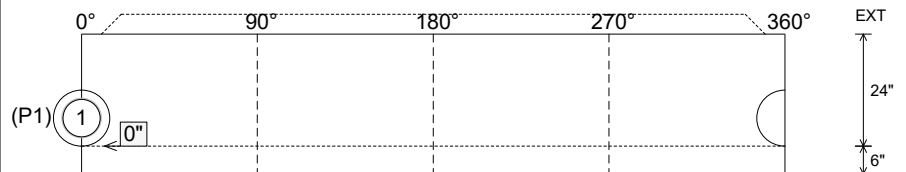
- P5) 24" - CASTING HEIGHT - 7" 0 lb
 - P4) 24" - GRADE RING F/F - 4" 270 lb
 - P3) 48" - ECC CONE w/ 24" HOLE F/G - 36" 3000 lb
 - P2) 48" - MH RISER T/G - 24" 1677 lb
 - P1) 48" - MH BASE T/n - 24" 2959 lb
 - 1) JOINT WRAP - 0.065"x6"x50' CONSEAL CS212 0 lb
 - 1) JOINT WRAP PRIMER - CONSEAL CS-75 (1 gal.) 0 lb
 - 1) 48" - MH INVERT CHANNEL - FULL HEIGHT 1440 lb
 - 1) CASTING - HOE MC-375-SS F/C Sanitary 271 lb
 - 2) 48" - Conseal CS-102 1.00" (Double) 0 lb
 - 1) PSX - 12-08 NYLO 8 lb
 - 6) MH Step ML-10-TDS-NCR - 10" 0 lb
- Structure Total: 9624 lb



Position	Elev	Angle	Pipe	Pipe OD	Hole	Connector	Up (L)	Ref
Rim	726.38'							
Reducer								
Invert 1	718.38'	0°	8" PVC SDR35	8.5"	12"	PSX 12-08 NYLO	0"	P1
Invert 2								
Invert 3								
Invert 4								
Invert 5								
Invert 6								
Invert 7								
Invert 8								



Cast (Int. Dim.) - Interior Dimensions



Submittal Drawing
 12/23/2025 10:35:10 AM

SUBMITTAL
 APPROVED BY: