

**Job Name: 25-4559 - Lee Property Sanitary Sewers**  
**Job Location: Leitchfield, KY**  
**Contractor: Second Look Lawn & Landscape**

PC: T. Lewis  
 TECH: J. Horsley - F  
 Plant: 100



Structure ID: **MH-3 (4)**  
 Spec: Sanitary  
 Type: SAN.MH  
 Size: 48"

Rim: 710.25'  
 Invert: 704.2'  
 Rim to Invert: 6.05'

Sump: 2"  
 Floor (Top): 704.033'  
 Floor Height: 6"

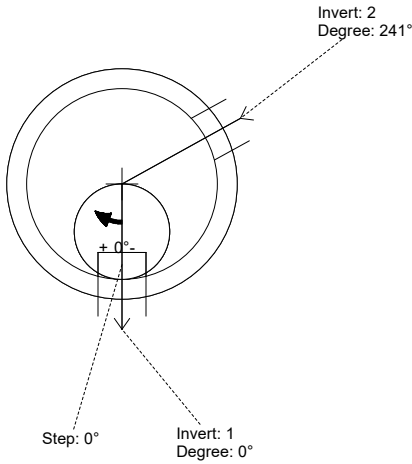
Floor (Bot): 703.533'  
 Overall Height: 6.583'  
 Slack: 1.6"

**Structure Notes:**

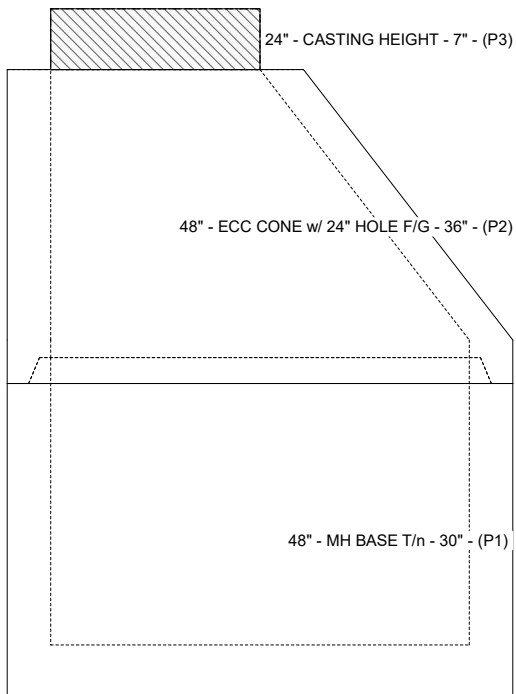
1. PER ASTM C-478 SPECIFICATIONS
2. CONCRETE: 4,000 PSI AT 28 DAYS
3. REINFORCEMENT: PER ASTM A615
4. INVERT CHANNEL REQUIRED
5. STEPS AT 0 DEGREES
6. CASTING BY ICAST (HOE MC-375-SS FRAME & COVER "SANITARY")

**STRUCTURE SUMMARY:**

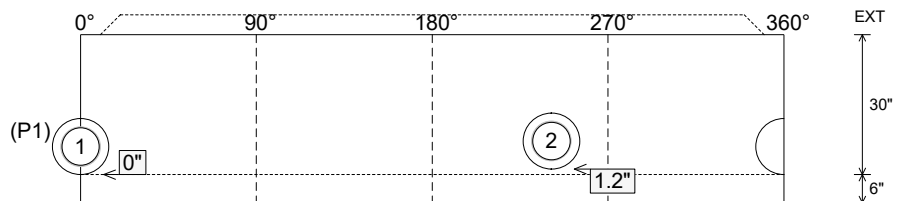
- P3) 24" - CASTING HEIGHT - 7" 0 lb
  - P2) 48" - ECC CONE w/ 24" HOLE F/G - 36" 3000 lb
  - P1) 48" - MH BASE T/n - 30" 3330 lb
  - 1) JOINT WRAP - 0.065"x6"x50' CONSEAL CS212 0 lb
  - 1) JOINT WRAP PRIMER - CONSEAL CS-75 (1 gal.) 0 lb
  - 1) 48" - MH INVERT CHANNEL - FULL HEIGHT 1440 lb
  - 1) CASTING - HOE MC-375-SS F/C Sanitary 271 lb
  - 1) 48" - Conseal CS-102 1.00" (Double) 0 lb
  - 2) PSX - 12-08 NYLO 16 lb
  - 5) MH Step ML-10-TDS-NCR - 10" 0 lb
- Structure Total: 8057 lb



Position	Elev	Angle	Pipe	Pipe OD	Hole	Connector	Up (L)	Ref
Rim	710.25'							
Reducer								
Invert 1	704.2'	0°	8" PVC SDR35	8.5"	12"	PSX 12-08 NYLO	0"	P1
Invert 2	704.3'	241°	8" PVC SDR35	8.5"	12"	PSX 12-08 NYLO	1.2"	P1
Invert 3								
Invert 4								
Invert 5								
Invert 6								
Invert 7								
Invert 8								



**Cast (Int. Dim.) - Interior Dimensions**



Submittal Drawing  
 12/23/2025 10:35:09 AM

SUBMITTAL  
 APPROVED BY: