

Job Name: 25-4559 - Lee Property Sanitary Sewers  
 Job Location: Leitchfield, KY  
 Contractor: Second Look Lawn & Landscape

Plant: 100

12/23/2025 11:04:56 AM

Tech: J. Horsley - F

PC: T. Lewis



**Structure ID: MH-2 (3)**

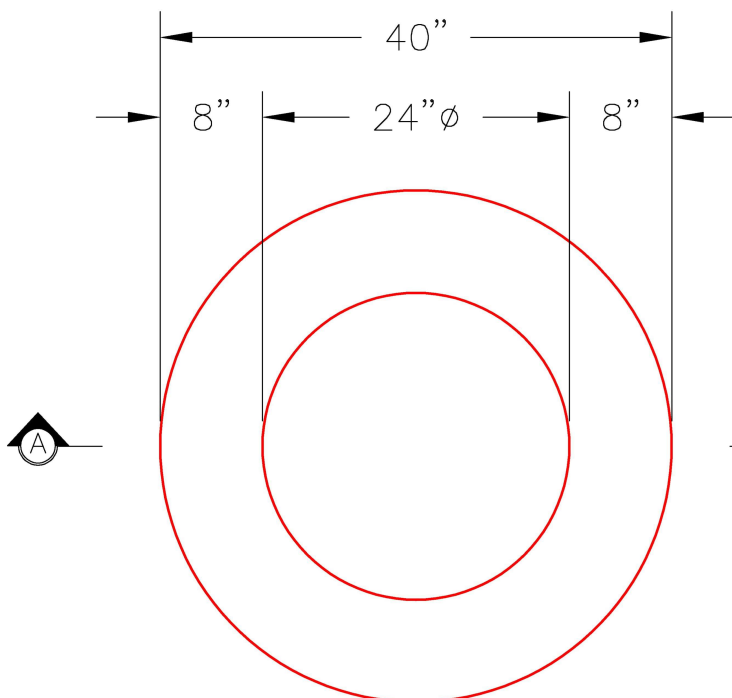
**P3 GR4**

**GRADE RING F/F**

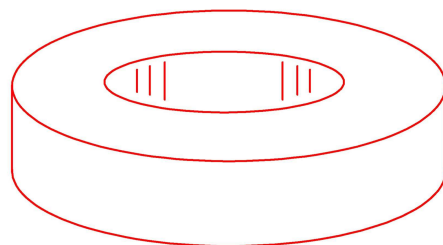
- P4) 24" - CASTING HEIGHT - 7"
- P3) 24" - GRADE RING F/F - 4"
- P2) 48" - MH FLAT TOP w/ 24" ECC Hole F/G - 12"
- P1) 48" - MH BASE T/n - 24"
- 1) JOINT WRAP - 0.065"x6"x50' CONSEAL CS212
- 1) JOINT WRAP PRIMER - CONSEAL CS-75 (1 gal.)
- 1) 48" - MH INVERT CHANNEL - FULL HEIGHT
- 1) CASTING - HOE MC-375-SS F/C Sanitary
- 1) 48" - Conseal CS-102 1.00" (Double)
- 2) PSX - 12-08 NYLO
- 1) MH Step ML-10-TDS-NCR - 10"

0 lb  
 270 lb  
 1561 lb  
 2911 lb  
 0 lb  
 0 lb  
 1440 lb  
 271 lb  
 0 lb  
 16 lb  
 0 lb  
 \_\_\_\_\_  
 Structure Total: 6469 lb

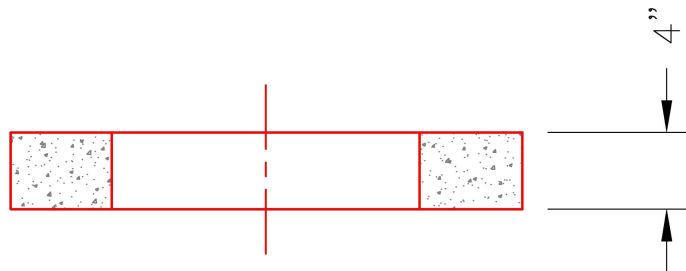
**Structure Notes:**  
 1. PER ASTM C-478 SPECIFICATIONS  
 2. CONCRETE: 4,000 PSI AT 28 DAYS  
 3. REINFORCEMENT: (1) #3 HOOD CENTERED (GRADE 60)



**PLAN VIEW**



**ISOMETRIC VIEW**



**SECTION A-A**

Coating (Int):  
 Coating (Ext):

Seam Up: Flat  
 Seam Dn: Flat

Wall Thickness: 8"

Height (Ext): 4"

Weight (Net): 270 lb  
 Volume (Net): 0.07cu.yd