

Job Name: 25-4559 - Lee Property Sanitary Sewers
Job Location: Leitchfield, KY
Contractor: Second Look Lawn & Landscape

PC: T. Lewis
 TECH: J. Horsley - F
 Plant: 100



Structure ID: **MH-1 (2)**
 Spec: Sanitary
 Type: SAN.MH (OPEN BTM)
 Size: 48"

Rim: 703'
 Invert: 697.62'
 Rim to Invert: 5.38'

Sump: 6"
 Floor (Top): 697.12'
 Floor Height: 0"

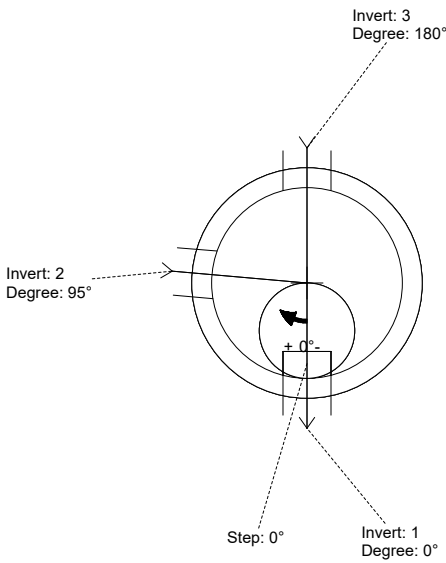
Floor (Bot): 697.12'
 Overall Height: 5.833'
 Slack: 0.56"

Structure Notes:

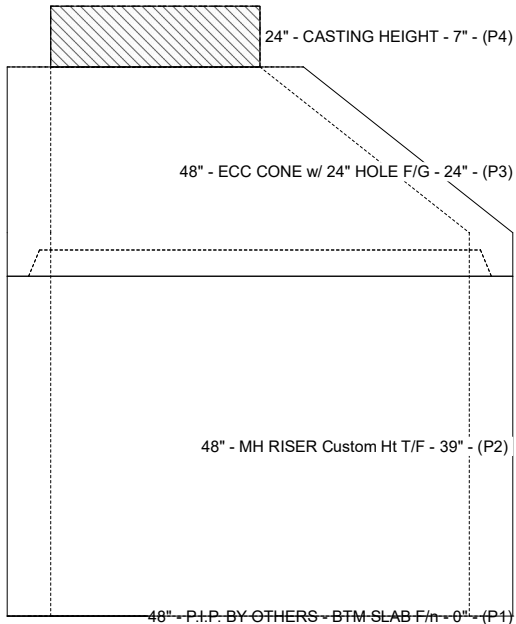
1. PER ASTM C-478 SPECIFICATIONS
2. CONCRETE: 4,000 PSI AT 28 DAYS
3. REINFORCEMENT: PER ASTM A615
4. NO INVERT CHANNEL
5. STEPS AT 0 DEGREES
6. CASTING BY ICAST (HOE MC-375-SS FRAME & COVER "SANITARY")

STRUCTURE SUMMARY:

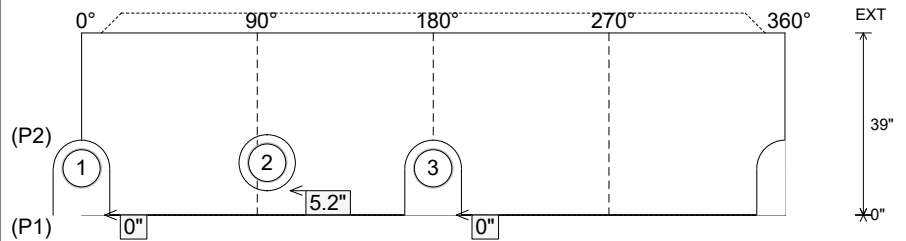
- P4) 24" - CASTING HEIGHT - 7" 0 lb
 - P3) 48" - ECC CONE w/ 24" HOLE F/G - 24" 1550 lb
 - P2) 48" - MH RISER Custom Ht T/F - 39" 2527 lb
 - P1) 48" - P.I.P. BY OTHERS - BTM SLAB F/n - 0" 0 lb
 - 1) JOINT WRAP - 0.065"x6"x50' CONSEAL CS212 0 lb
 - 1) JOINT WRAP PRIMER - CONSEAL CS-75 (1 gal.) 0 lb
 - 1) CASTING - HOE MC-375-SS F/C Sanitary 271 lb
 - 2) 48" - Conseal CS-102 1.00" (Double) 0 lb
 - 2) DOGHOUSE - 12"x16" 0 lb
 - 1) PSX - 12-08 NYLO 8 lb
 - 5) MH Step ML-10-TDS-NCR - 10" 0 lb
- Structure Total: 4356 lb**



Position	Elev	Angle	Pipe	Pipe OD	Hole	Connector	Up (")	Ref
Rim	703'							
Reducer								
Invert 1	697.62'	0°	8" PVC SDR35	8.5"	12" x 16"	DOGHOUSE 12"x16"	0"	P2
Invert 2	697.72'	95°	8" PVC SDR35	8.5"	12"	PSX 12-08 NYLO	5.2"	P2
Invert 3	697.62'	180°	8" PVC SDR35	8.5"	12" x 16"	DOGHOUSE 12"x16"	0"	P2
Invert 4								
Invert 5								
Invert 6								
Invert 7								
Invert 8								



Cast (Int. Dim.) - Interior Dimensions



Submittal Drawing
 12/23/2025 10:35:08 AM

SUBMITTAL
 APPROVED BY: