

Job Name: 25-4559 - Lee Property Sanitary Sewers
 Job Location: Leitchfield, KY
 Contractor: Second Look Lawn & Landscape

Plant: 100

12/23/2025 11:04:56 AM

Tech: J. Horsley - F

PC: T. Lewis



Structure ID: MH-1 (2)

P3 MH048CN24

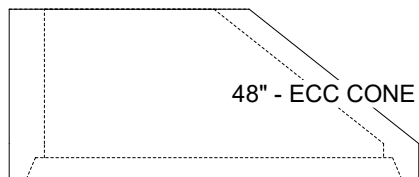
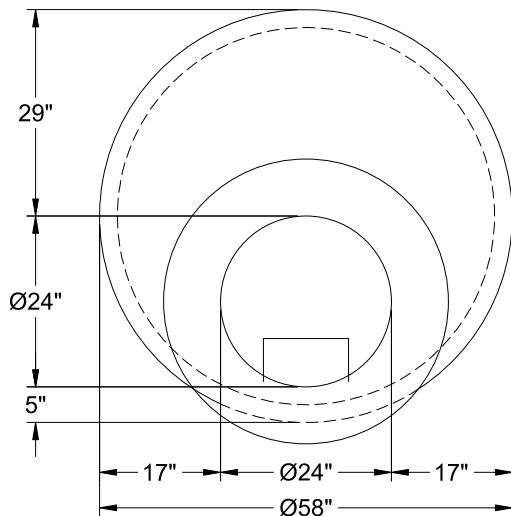
ECC CONE w/ 24" HOLE F/G

- P4) 24" - CASTING HEIGHT - 7"
- P3) 48" - ECC CONE w/ 24" HOLE F/G - 24"
- P2) 48" - MH RISER Custom Ht T/F - 39"
- P1) 48" - P.I.P. BY OTHERS - BTM SLAB F/n - 0"
- 1) JOINT WRAP - 0.065"x6"x50" CONSEAL CS212
- 1) JOINT WRAP PRIMER - CONSEAL CS-75 (1 gal.)
- 1) CASTING - HOE MC-375-SS F/C Sanitary
- 2) 48" - Conseal CS-102 1.00" (Double)
- 2) DOGHOUSE - 12"x16"
- 1) PSX - 12-08 NYLO
- 5) MH Step ML-10-TDS-NCR - 10"

- 0 lb
- 1550 lb
- 2527 lb
- 0 lb
- 0 lb
- 0 lb
- 271 lb
- 0 lb
- 0 lb
- 8 lb
- 0 lb

Structure Notes:
 1. PER ASTM C-478 SPECIFICATIONS
 2. CONCRETE: 4,000 PSI AT 28 DAYS
 3. REINFORCEMENT: PER ASTM A615
 4. NO INVERT CHANNEL
 5. STEPS AT 0 DEGREES
 6. CASTING BY ICAST (HOE MC-375-SS FRAME & COVER "SANITARY")

Structure Total: 4356 lb



48" - ECC CONE w/ 24" HOLE F/G - 24" - (P3)

Coating (Int):
 Coating (Ext):

Seam Up: Flat
 Seam Dn: Groove

Wall Thickness: 5"

Height (Ext): 24"

Weight (Net): 1550 lb
 Volume (Net): 0.33cu.yd