

Job Name: 25-4559 - Lee Property Sanitary Sewers  
 Job Location: Leitchfield, KY  
 Contractor: Second Look Lawn & Landscape

Plant: 100  
 12/23/2025 10:57:46 AM

Tech: J. Horsley - F  
 PC: T. Lewis



**Structure ID: MH-1 (2)**

**P2 MH048RSVF**

**MH RISER Custom Ht T/F**

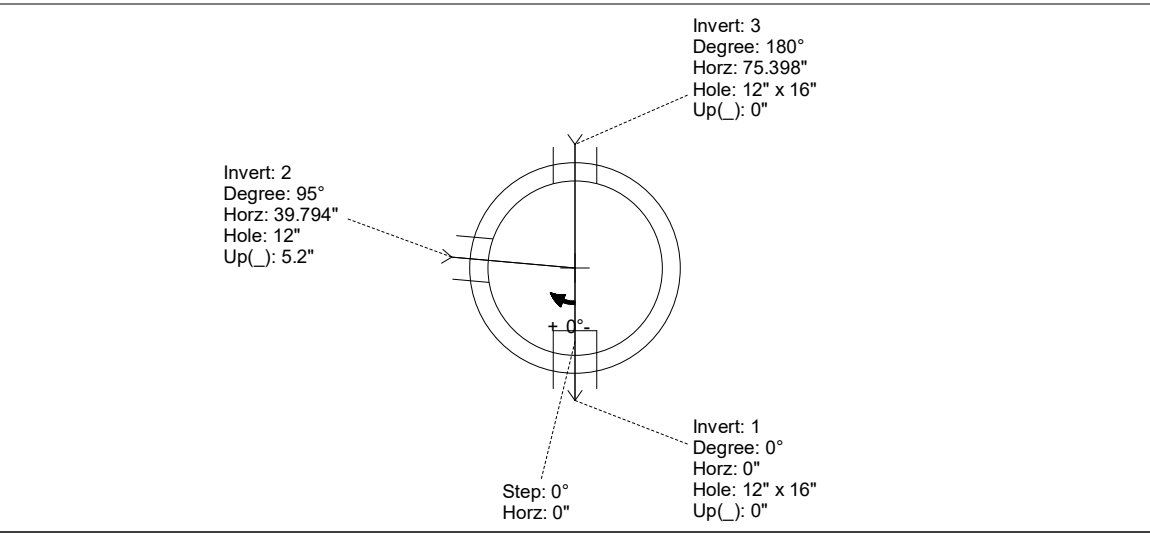
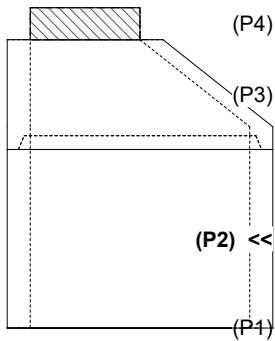
P4) 24" - CASTING HEIGHT - 7"	0 lb
P3) 48" - ECC CONE w/ 24" HOLE F/G - 24"	1550 lb
P2) 48" - MH RISER Custom Ht T/F - 39"	2527 lb
P1) 48" - P.I.P. BY OTHERS - BTM SLAB F/n - 0"	0 lb
1) JOINT WRAP - 0.065"x6"x50" CONSEAL CS212	0 lb
1) JOINT WRAP PRIMER - CONSEAL CS-75 (1 gal.)	0 lb
1) CASTING - HOE MC-375-SS F/C Sanitary	271 lb
2) 48" - Conseal CS-102 1.00" (Double)	0 lb
2) DOGHOUSE - 12"x16"	0 lb
1) PSX - 12-08 NYLO	8 lb
5) MH Step ML-10-TDS-NCR - 10"	0 lb
<b>Structure Total:</b>	<b>4356 lb</b>

**Structure Notes:**  
 1. PER ASTM C-478 SPECIFICATIONS  
 2. CONCRETE: 4,000 PSI AT 28 DAYS  
 3. REINFORCEMENT: PER ASTM A615  
 4. NO INVERT CHANNEL  
 5. STEPS AT 0 DEGREES  
 6. CASTING BY ICAST (HOE MC-375-SS FRAME & COVER "SANITARY")

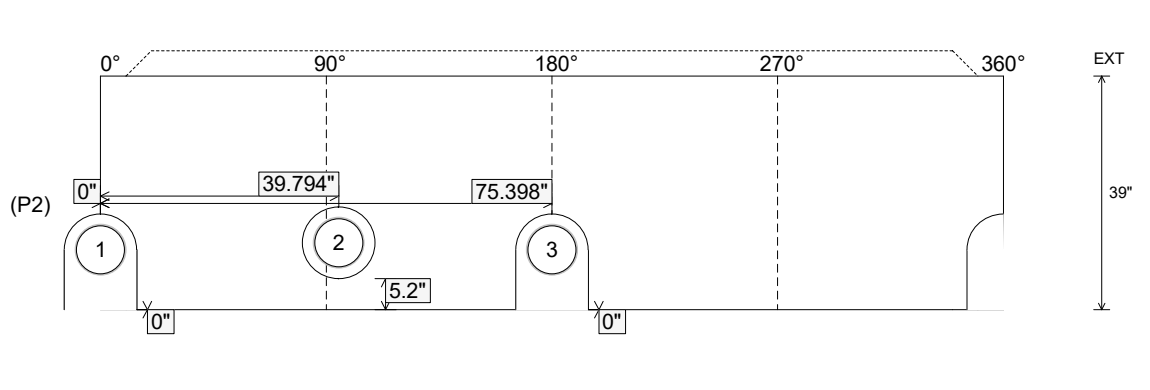
Rim: 703' Rim to Invert: 5.38' Slack: 0.56" Sump: 6" Step Position: 0°

Position	Elev	Angle	Ext. (cw)	Pipe	Pipe OD	Connector	Hole	Horz Size	Up ( )	Offset
Invert 1	697.62'	0°	0"	8" PVC SDR35	8.5"	DOGHOUSE 12"x16"	12" x 16"	12.129"	0"	0"
Invert 2	697.72'	95°	48.084"	8" PVC SDR35	8.5"	PSX 12-08 NYLO	12"	12.129"	5.2"	0"
Invert 3	697.62'	180°	91.106"	8" PVC SDR35	8.5"	DOGHOUSE 12"x16"	12" x 16"	12.129"	0"	0"
Invert 4										
Invert 5										
Invert 6										
Invert 7										
Invert 8										

**RIGHT-SIDE UP VIEW (int. dimensions)**



**INSIDE WALL DIMENSIONS**



Coating (Int): Coating (Ext):	Seam Up: Tongue Seam Dn: Flat	Wall Thickness: 5" Floor Height: 0"	Height (Int): 39" Height (Ext): 39"	Weight (Net): 2527 lb Volume (Net): 0.64cu.yd
----------------------------------	----------------------------------	--	--	--