

Job Name: 25-4539 - 863644 Airport South Logistics
Job Location: Shepherdsville, KY
Contractor: Contech Engineering Solutions

PC: T. Sekula
 TECH: J. Coppage
 Plant: Beaver Dam



Structure ID: 10-CS-12

Spec: Storm-Pipe Centered
 Type: STM.MH
 Size: 144"

Rim: 485.91'
 Invert: 477.75'
 Rim to Invert: 8.16'

Sump: 108"
 Floor (Top): 468.75'
 Floor Height: 14"

Floor (Bot): 467.583'
 Overall Height: 17.5'
 Slack: 9.92"

Structure Notes:
 (4" TALL CASTINGS PROVIDED BY OTHERS)

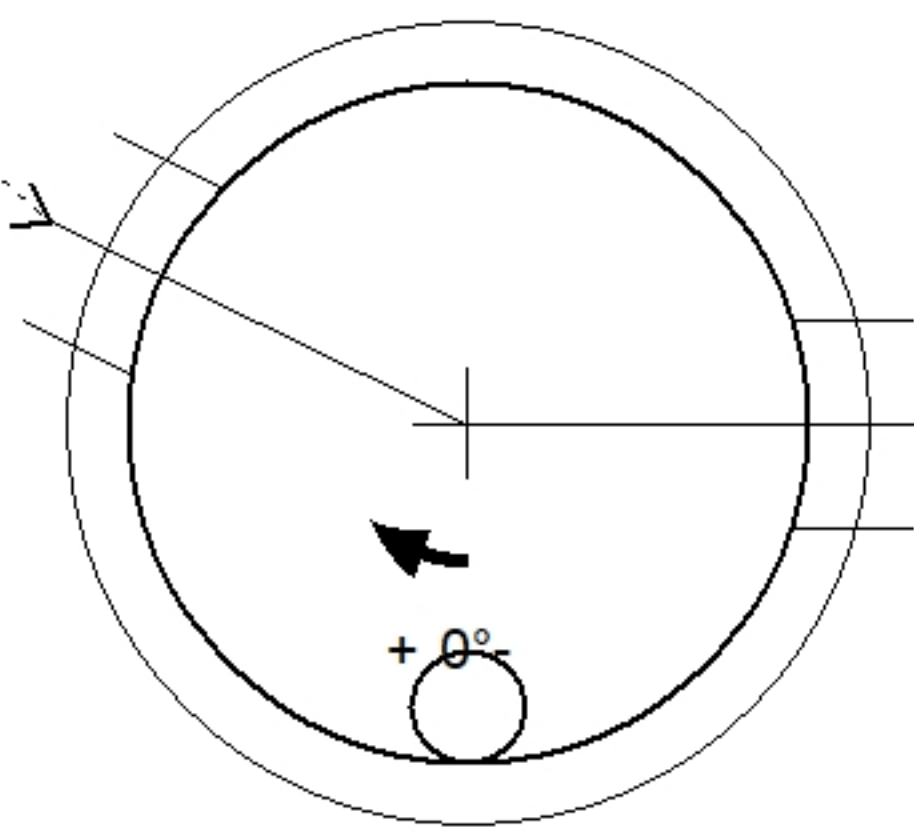
CONTECH'S LOGO AS WELL AS THE INLET AND OUTLET MUST BE STENCILED ONTO THE STRUCTURE

ICAST TO INSTALL THE INTERNAL BRACKETS INTERNAL COMPONENTS TO BE INTALLED ON SITE BY CONTECH FIELD CONSULTANTS

STRUCTURE SUMMARY:

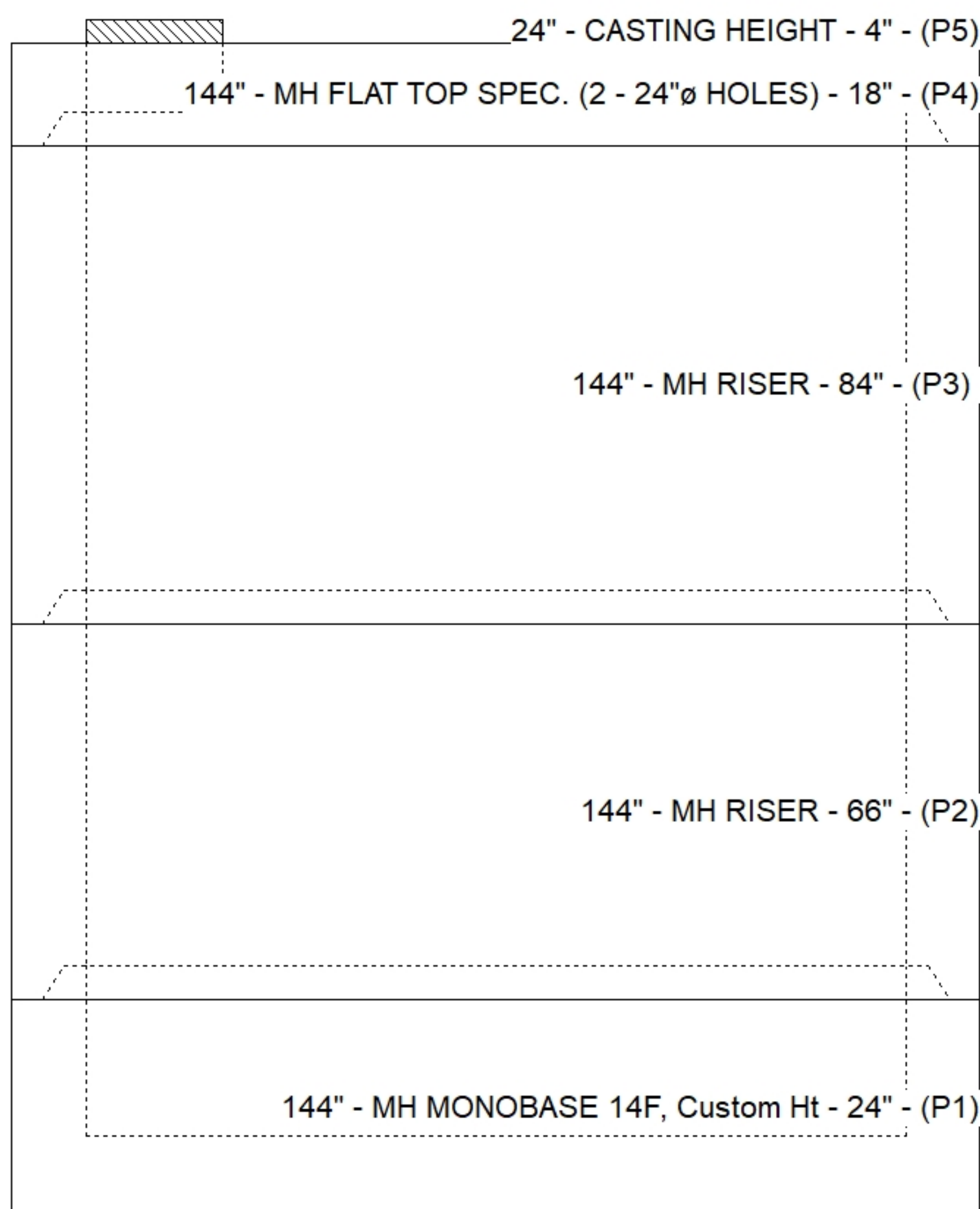
P5) 24" - CASTING HEIGHT - 4"	0 lb
P4) 144" - MH FLAT TOP SPEC. (2 - 24"Ø HOLES) - 18"	23623 lb
P3) 144" - MH RISER - 84"	41832 lb
P2) 144" - MH RISER - 66"	35511 lb
P1) 144" - MH MONOBASE 14F, Custom Ht - 24"	39578 lb
1) CVSTENCILING	0 lb
1) ASSEMBLY REQUIRED - BRACKET INSTALLATION	0 lb
3) 144" - Conseal CS-102 1.00"	0 lb
2) Hole - 44	0 lb
Structure Total:	140544 lb

Invert: 2
 Degree: 116°

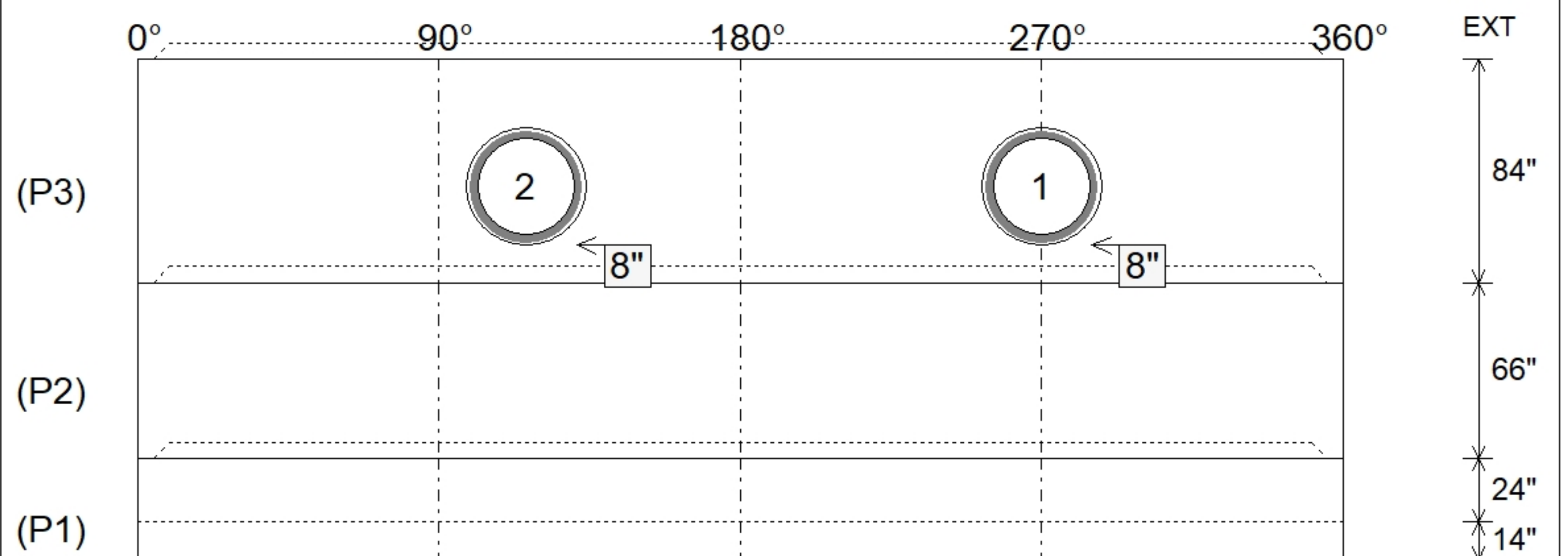


Invert: 1
 Degree: 270°

Position	Elev	Angle	Pipe	Pipe OD	Hole	Connector	Up (")	Ref
Rim	485.91'							
Reducer								
Invert 1	477.75'	270°	36" HDPE	41.7"	44"	Hole 44	8"	P3
Invert 2	477.75'	116°	36" HDPE	41.7"	44"	Hole 44	8"	P3
Invert 3								
Invert 4								
Invert 5								
Invert 6								
Invert 7								
Invert 8								



Default - Interior Dimensions



Submittal Drawing
 12/8/2025 1:27:37 PM

SUBMITTAL
 APPROVED BY: