

**Job Name: 25-4537 - 863626 Project Tahoe**  
**Job Location: Brownsburg, IN**  
**Contractor: Contech Engineering Solutions**

PC: T. Sekula  
 TECH: J. Coppage  
 Plant: Beaver Dam



Structure ID: **90-CDS4045-8-C**

Spec: Storm-Pipe Centered  
 Type: STM.MH  
 Size: 96"

Rim: 881.4'  
 Invert: 871.4'  
 Rim to Invert: 10'

Sump: 108"  
 Floor (Top): 862.4'  
 Floor Height: 13"

Floor (Bot): 861.317'  
 Overall Height: 19.833'  
 Slack: 3"

**Structure Notes:**

(4" TALL CASTINGS PROVIDED BY OTHERS)

LIFTING HOOKS TO BE INSTALLED ON THE OUTSIDE OF THE STRUCTURE

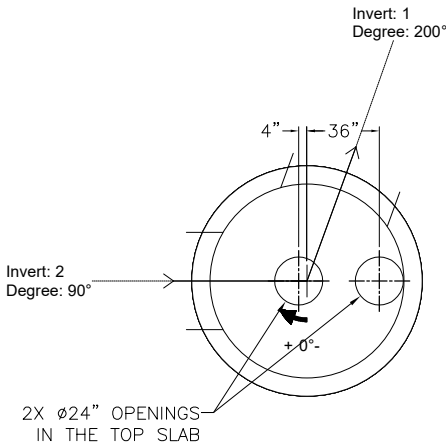
CONTECH'S LOGO AS WELL AS THE INLET AND OUTLET MUST BE STENCILED ONTO THE STRUCTURE

ICAST TO INSTALL THE INTERNALS

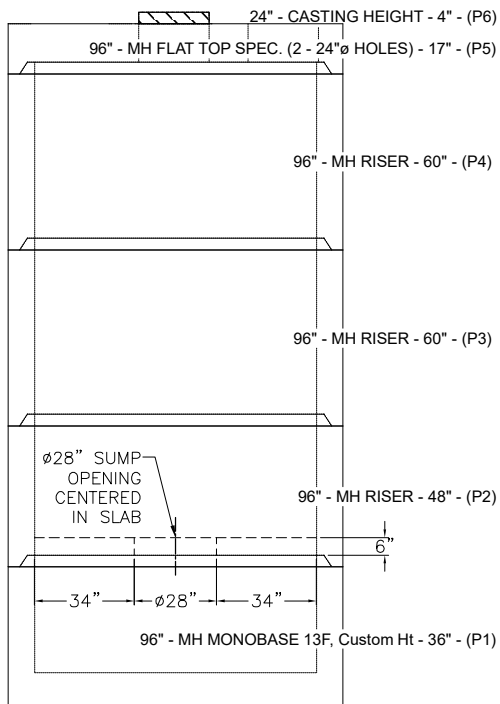
CONTROL RISER TO BE MECHANICALLY ATTACHED TO THE BOTTOM OF RISER 1

**STRUCTURE SUMMARY:**

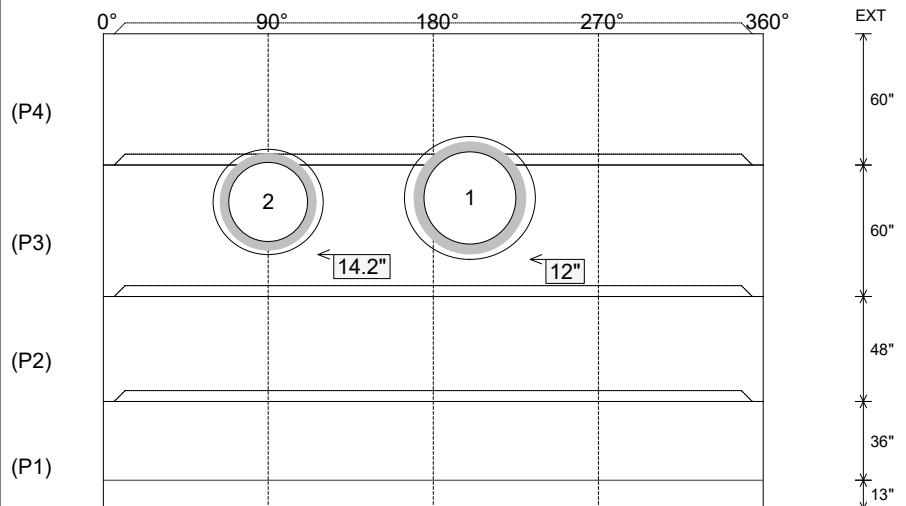
P6) 24" - CASTING HEIGHT - 4"	0 lb
P5) 96" - MH FLAT TOP SPEC. (2 - 24"Ø HOLES) - 17"	10015 lb
P4) 96" - MH RISER - 60"	14467 lb
P3) 96" - MH RISER - 60"	12041 lb
P2) 96" - MH RISER - 48"	11958 lb
P1) 96" - MH MONOBASE 13F, Custom Ht - 36"	20103 lb
1) SECONDARY POUR - SEPARATION SLAB*	3334 lb
1) ASSEMBLY REQUIRED	0 lb
1) CVSTENCILING	0 lb
4) 96" - Conseal CS-102 1.00"	0 lb
1) Hole - 56	0 lb
1) Hole - 48	0 lb
<b>Structure Total:</b>	<b>71917 lb</b>



Position	Elev	Angle	Pipe	Pipe OD	Hole	Connector	Up (")	Ref
Rim	881.4'							
Reducer								
Invert 1	871.4'	200°	42" RCP B WALL	51"	56"	Hole 56	12"	P3
Invert 2	871.5'	90°	36" RCP B WALL	44"	48"	Hole 48	14.2"	P3
Invert 3								
Invert 4								
Invert 5								
Invert 6								
Invert 7								
Invert 8								



**Default - Interior Dimensions**



Submittal Drawing  
 11/19/2025 8:18:06 AM

SUBMITTAL  
 APPROVED BY: