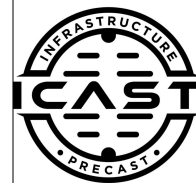


Job Name: 25-4537 - 863626 Project Tahoe
 Job Location: Brownsburg, IN
 Contractor: Contech Engineering Solutions

Plant: Beaver Dam
 11/21/2025 5:56:47 AM

Tech: J. Coppage
 PC: T. Sekula



Structure ID: 90-CDS4045-8-C

P4 MH096RS60

MH RISER T/G

- P6) 24" - CASTING HEIGHT - 4"
- P5) 96" - MH FLAT TOP SPEC. (2 - 24"Ø HOLES) F/G - 17"
- P4) 96" - MH RISER T/G - 60"
- P3) 96" - MH RISER T/G - 60"
- P2) 96" - MH RISER T/G - 48"
- P1) 96" - MH MONOBASE 13F, Custom Ht T/n - 36"
- 1) SECONDARY POUR - SEPARATION SLAB
- 1) ASSEMBLY REQUIRED
- 1) CVSTENCILING
- 1) SECONDARY POUR - 96" MH BASE FLOOR POUR
- 4) 96" - Conseal CS-102 1.00"
- 1) Hole - 56
- 1) Hole - 48

0 lb
 10015 lb
 14467 lb
 12041 lb
 11958 lb
 20103 lb
 3334 lb
 0 lb
 0 lb
 0 lb
 0 lb
 0 lb
 0 lb
 0 lb
 Structure Total: 71917 lb

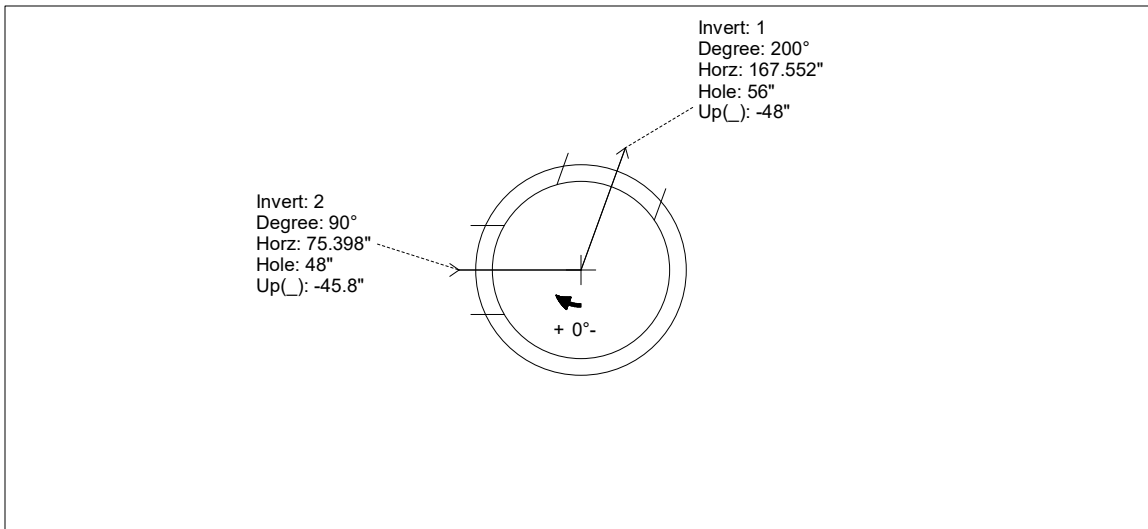
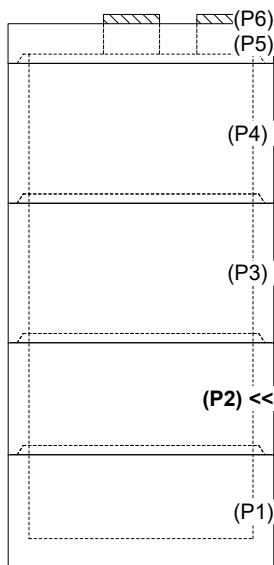
- Structure Notes:**
1. PER ASTM C-478 SPECS
 2. CONCRETE: 4,500 PSI AT 28 DAYS
 3. REINFORCEMENT: PER ASTM A615
 4. 2 EA. 4" TALL CASTINGS PROVIDED BY OTHERS

- SPECIAL NOTES:**
1. LIFTING HOOKS TO BE INSTALLED ON THE OUTSIDE OF THE STRUCTURE
 2. CONTECH'S LOGO AS WELL AS THE INLET & OUTLET MUST BE STENCILED ONTO THE STRUCTURE
 3. ICAST TO INSTALL THE INTERNALS
 4. CONTROL RISER (P2) TO BE MECHANICALLY ATTACHED TO THE BOTTOM OF RISER 1 (P3)

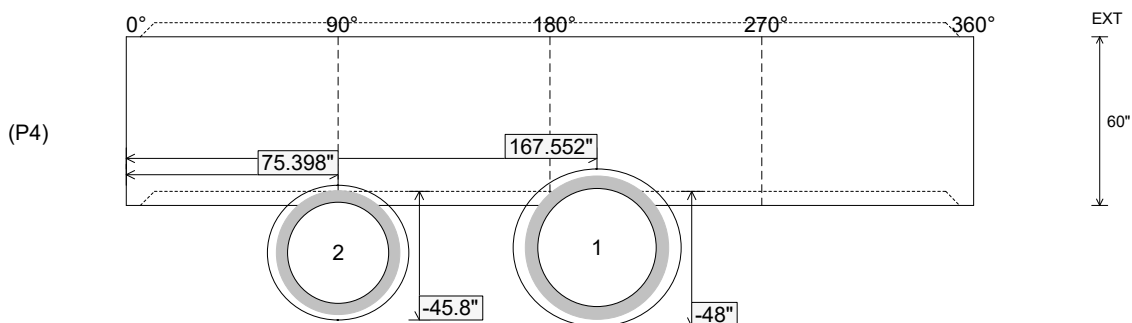
Rim: 881.4' Rim to Invert: 10' Slack: 3" Sump: 108" Step Position:

Position	Elev	Angle	Ext. (cw)	Pipe	Pipe OD	Connector	Hole	Horz Size	Up ()	Offset
Invert 1	871.4'	200°	198.968"	42" RCP B WALL	51"	Hole 56	56"	59.791"	-48"	0"
Invert 2	871.5'	90°	89.535"	36" RCP B WALL	44"	Hole 48	48"	50.265"	-45.8"	0"
Invert 3										
Invert 4										
Invert 5										
Invert 6										
Invert 7										
Invert 8										

RIGHT-SIDE UP VIEW (int. dimensions)



INSIDE WALL DIMENSIONS



Coating (Int):
 Coating (Ext):

Seam Up: Tongue
 Seam Dn: Groove

Wall Thickness: 9"
 Floor Height: 0"

Height (Int): 60"
 Height (Ext): 60"

Weight (Net): 14467 lb
 Volume (Net): 3.7cu.yd