

Job Name: 25-4532 Rogersville Wholesale Meter
 Job Location: Vine Grove, KY
 Contractor: Hardin County Water District No. 1

Plant: Beaver Dam
 12/22/2025 1:44:25 PM

Tech: S. Felletter
 PC: T. Lewis



Structure ID: 54532 (2)

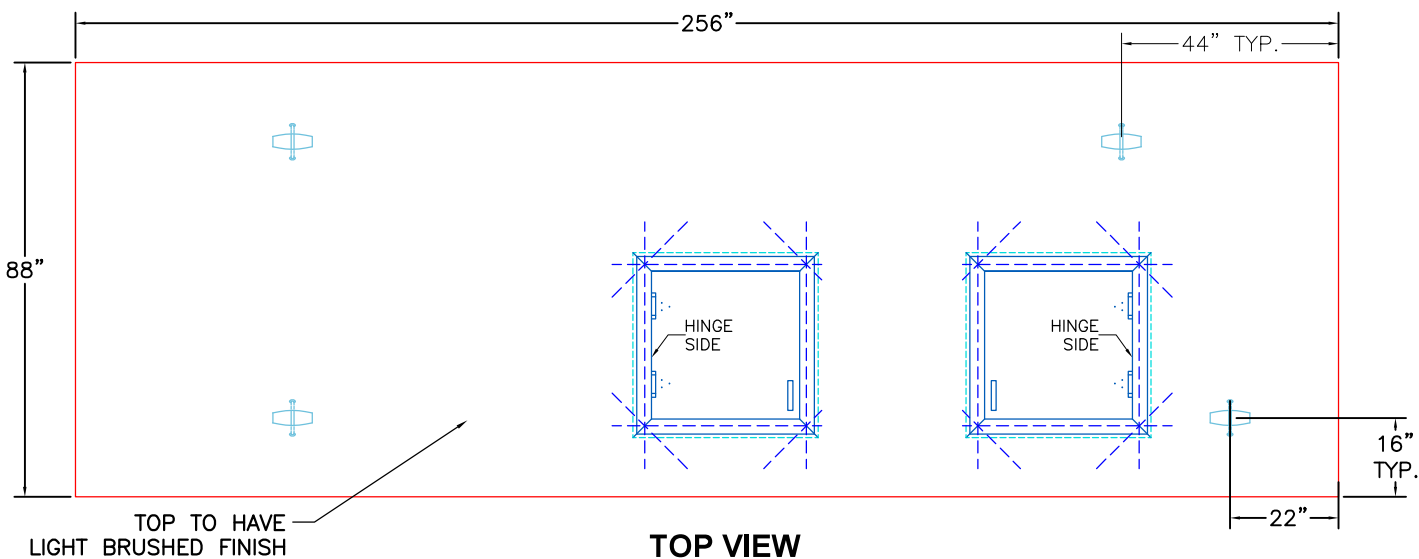
P1 CVBVF

BOX BASE 8inW, 6inF, Variable Ht F/n

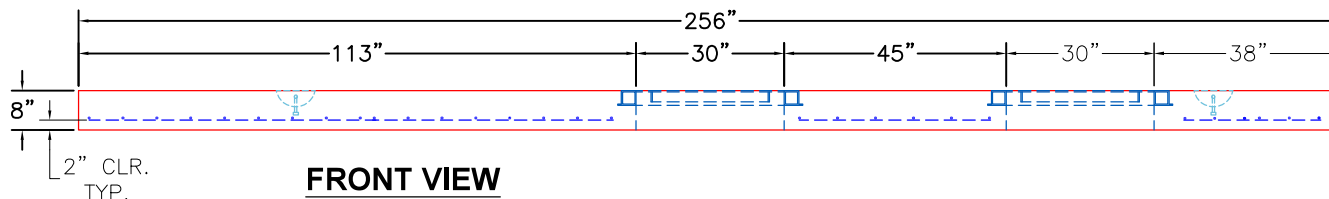
- P3) 30" x 30" - HATCH (CAST FLUSH) - 3"
- P2) 72" x 240" - BX FLAT LID 8inW w/2 HATCHES F/F - 8"
- P1) 72" x 240" - BOX BASE 8inW, 6inF, Variable Ht F/n - 60"
- 1) This Structure Includes a Cast-in Item
- 1) 30" x 30" - Conseal CS-102 1.00"
- 2) Hole - 8

	100 lb	<u>Structure Notes:</u>
	13915 lb	
	37697 lb	
	0 lb	
	0 lb	
	0 lb	
Structure Total:	51712 lb	

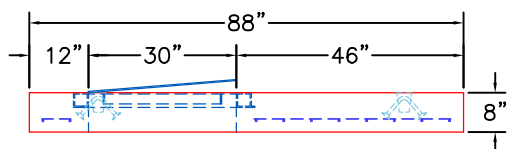
Rim: 5.667' Rim to Invert: 4' Slack: 0" Sump: 20" Step Position:



4 EA. CONAC 6CA14 ANCHORS
 CAST IN THE TOP SLAB AS
 SHOWN FOR PLANT & FIELD
 HANDLING.



FRONT VIEW



RIGHT VIEW

GENERAL NOTES:

1. MANUFACTURED TO ASTM C-913 (LATEST REVISION).
2. CONCRETE: 5,000 PSI AT 28 DAYS.
3. REINFORCING: #5 BAR @ 6" OC E.W.
4. WEIGHT: 13,915 LBS
5. HATCH: 2X HALLIDAY W1S 30" X 30" HATCH SUPPLIED BY ICAST.
6. HATCHES TO BE CAST INTO TOP OF LID.

Coating (Int):
 Coating (Ext):

Seam Up: Flat
 Seam Dn: n/a

Wall Thickness: 8"
 Floor Height: 6"

Height (Int): 60"
 Height (Ext): 66"

Weight (Net): 37697 lb
 Volume (Net): 9.63cu.yd