

Job Name: 25-4530 - Kuttawa & Eddyville Water Interconnect
Job Location: Kuttawa, KY
Contractor: D-Port Directional Drilling & Utilities

PC: T. Lewis
 TECH: J. Horsley - F
 Plant: 100



Structure ID: **AR (2)**
 Spec: Sanitary
 Type: Air Release MH
 Size: 48"

Rim: 5.67'
 Invert: 0'
 Rim to Invert: 5.67'

Sump: 2.1"
 Floor (Top): -0.175'
 Floor Height: 0"

Floor (Bot): -0.175'
 Overall Height: 5.833'
 Slack: 0.14"

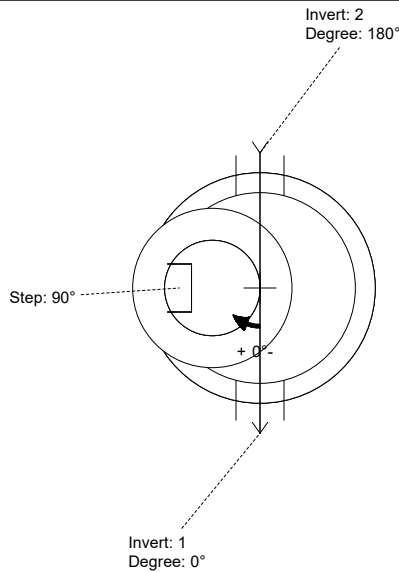
Structure Notes:

- PER ASTM C-478 SPECIFICATIONS
- CONCRETE: 4,000 PSI AT 28 DAYS
- REINFORCEMENT:
 - FLAT LID: #4 BAR @ 10" C.C. E.W. (GRADE 60)
 - DOGHOUSE RISER: PER ASTM A615
- STEPS AT 90 DEGREES
- HOE MC-315 FRAME & EJ 1020B VENTED COVER "WATER" SUPPLIED BY ICAST

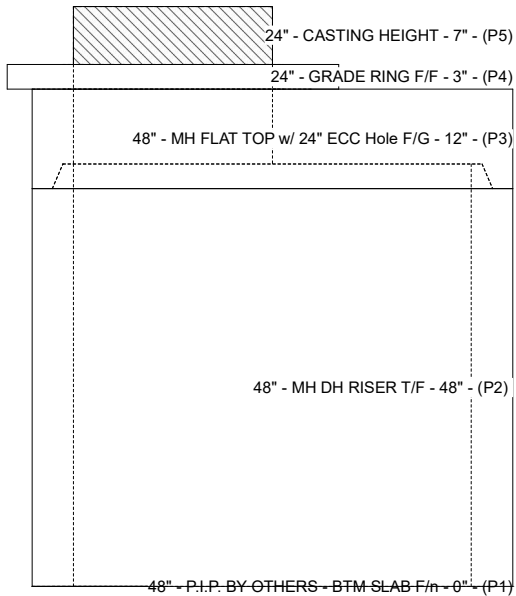
STRUCTURE SUMMARY:

P5) 24" - CASTING HEIGHT - 7"	0 lb
P4) 24" - GRADE RING F/F - 3"	202 lb
P3) 48" - MH FLAT TOP w/ 24" ECC Hole F/G - 12"	1561 lb
P2) 48" - MH DH RISER T/F - 48"	3244 lb
P1) 48" - P.I.P. BY OTHERS - BTM SLAB F/n - 0"	0 lb
1) CASTING - EJ 1020B Vented Cover Water	250 lb
1) CASTING - HOE MC-315 F/C Water	258 lb
2) 48" - Conseal CS-102 1.00" (Double)	0 lb
2) DOGHOUSE - 12"x12"	0 lb
4) MH Step ML-10-TDS-NCR - 10"	0 lb

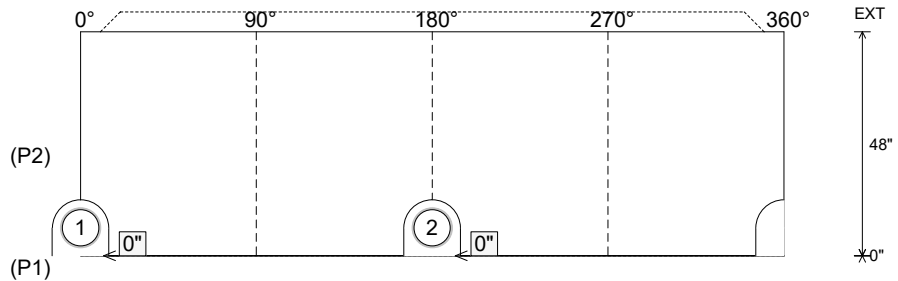
Structure Total:	5516 lb



Position	Elev	Angle	Pipe	Pipe OD	Hole	Connector	Up ()	Ref
Rim	5.67'							
Reducer								
Invert 1	0'	0°	8" PVC SDR21	8.625"	12" x 12"	DOGHOUSE 12"x12"	0"	P2
Invert 2	0'	180°	8" PVC SDR21	8.625"	12" x 12"	DOGHOUSE 12"x12"	0"	P2
Invert 3								
Invert 4								
Invert 5								
Invert 6								
Invert 7								
Invert 8								



Cast (Int. Dim.) - Interior Dimensions



Submittal Drawing
 2/19/2026 2:06:48 PM

SUBMITTAL
 APPROVED BY: