

Job Name: 25-4514 - 828940 Towneplace Suites
Job Location: Shepherdsville, KY
Contractor: Contech Engineering Solutions

PC: T. Sekula
 TECH: J. Coppage
 Plant: Beaver Dam



Structure ID: **10-CDS2015-4-C**
 Spec: Storm-Pipe Centered
 Type: STM.MH
 Size: 48"

Rim: 449'
 Invert: 444.45'
 Rim to Invert: 4.55'

Sump: 64.2"
 Floor (Top): 439.1'
 Floor Height: 6"

Floor (Bot): 438.6'
 Overall Height: 10.333'
 Slack: 0.8"

Structure Notes:
 (4" Tall Casting By Others)

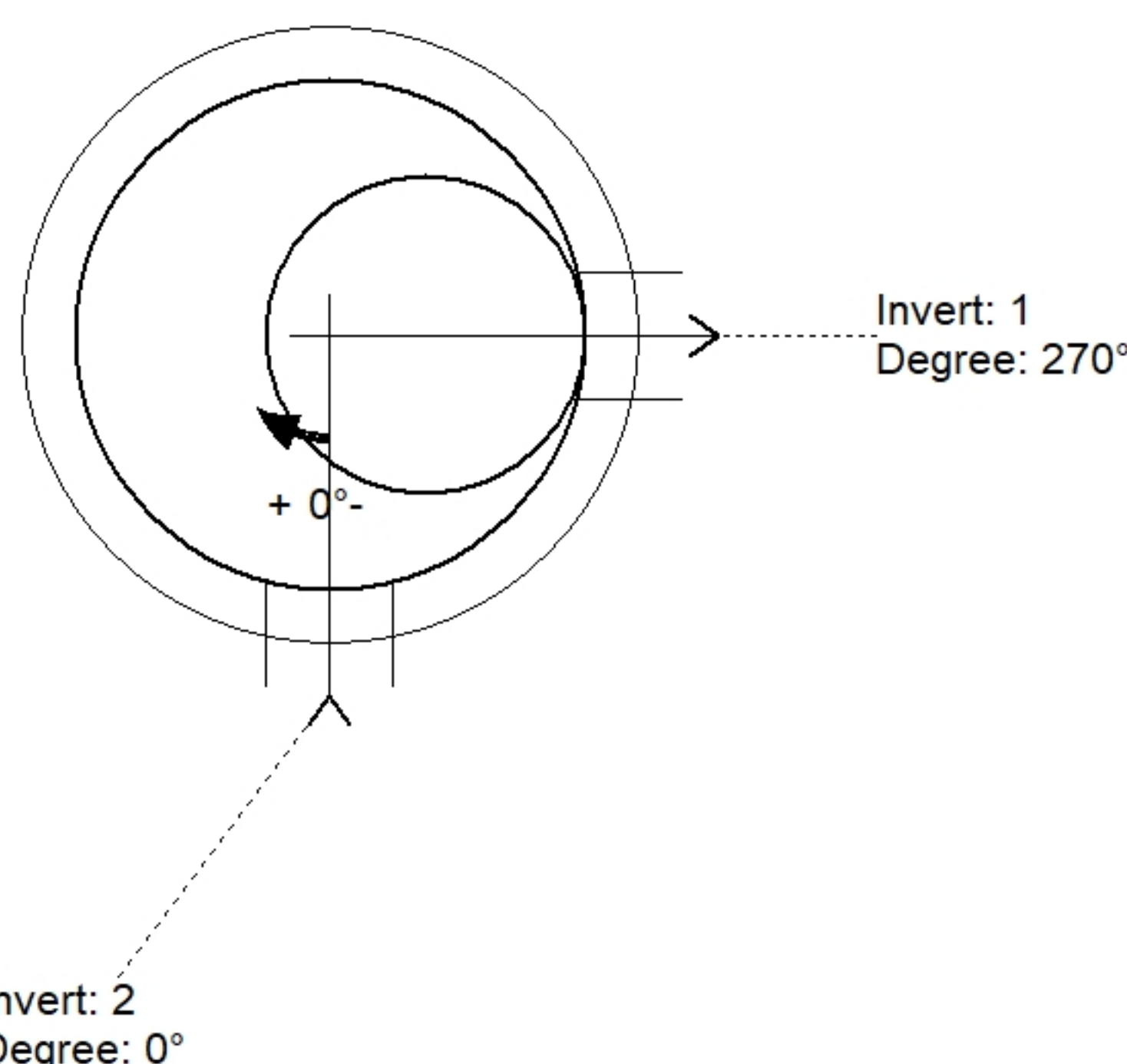
Lifting Hooks To Be Installed
 On The Outside Of The Structure

Contech's Logo As Well As
 The Inlets And Outlet Must Be
 Stenciled Onto The Structure

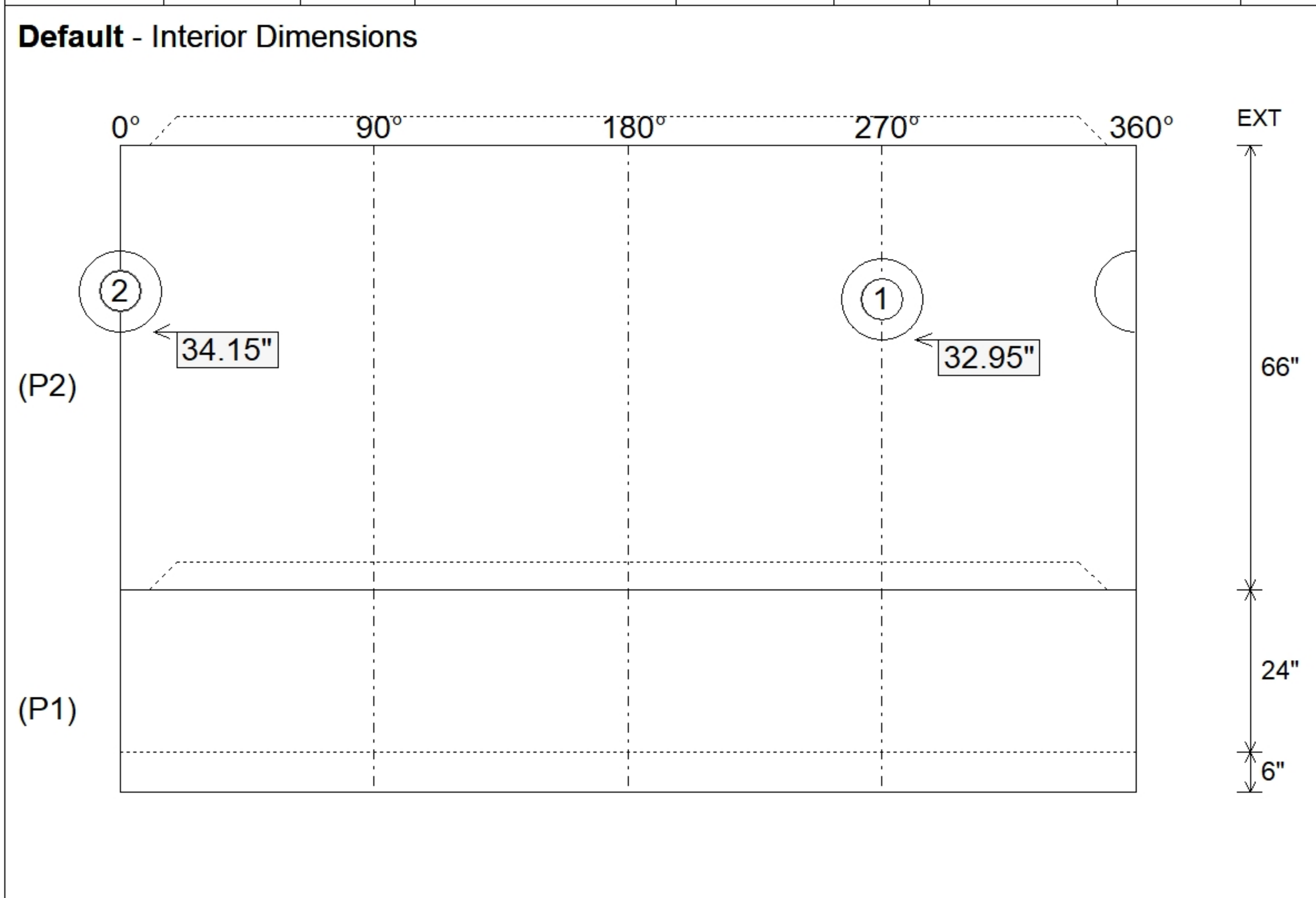
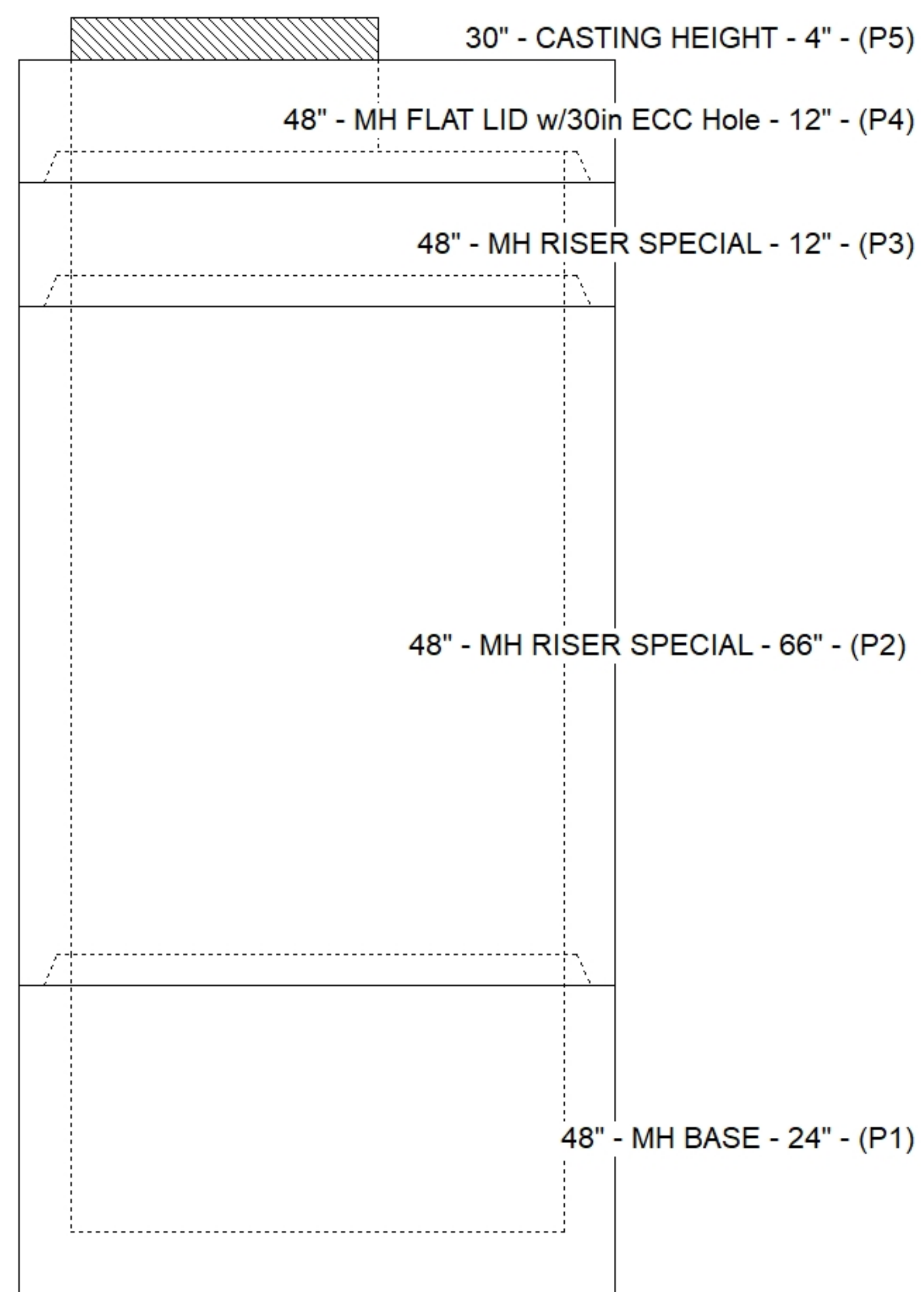
ICAST To Install The Internals

STRUCTURE SUMMARY:

P5) 30" - CASTING HEIGHT - 4"	0 lb
P4) 48" - MH FLAT LID w/30in ECC Hole - 12"	1413 lb
P3) 48" - MH RISER SPECIAL - 12"	838 lb
P2) 48" - MH RISER SPECIAL - 66"	4515 lb
P1) 48" - MH BASE - 24"	3007 lb
1) PSASSEMBLY	0 lb
1) CVSTENCILING	0 lb
1) SEPARATION SLAB - *	1474 lb
3) 48" - Conseal CS-102 1.00"	0 lb
2) Hole - 12	0 lb
Structure Total:	11247 lb



Position	Elev	Angle	Pipe	Pipe OD	Hole	Connector	Up (")	Ref
Rim	449'							
Reducer								
Invert 1	444.45'	270°	6" PVC SDR35	6.25"	12"	Hole 12	32.95"	P2
Invert 2	444.55'	0°	6" PVC SDR35	6.25"	12"	Hole 12	34.15"	P2
Invert 3								
Invert 4								
Invert 5								
Invert 6								
Invert 7								
Invert 8								



Submittal Drawing
 12/1/2025 2:49:15 PM

SUBMITTAL
 APPROVED BY: