

Job Name: 25-4514 - 828940 Towneplace Suites
 Job Location: Shepherdsville, KY
 Contractor: Contech Engineering Solutions

Plant: Beaver Dam
 12/1/2025 8:35:05 AM

Tech: J. Coppage
 PC: T. Sekula



Structure ID: 10-CDS2015-4-C

P2 MH048RS66S

MH RISER SPECIAL

- P5) 30" - CASTING HEIGHT - 4"
- P4) 48" - MH FLAT LID w/30in ECC Hole - 12"
- P3) 48" - MH RISER SPECIAL - 12"
- P2) 48" - MH RISER SPECIAL - 66"
- P1) 48" - MH BASE - 24"
- 1) PSASSEMBLY
- 1) CVSTENCILING
- 1) SEPARATION SLAB - *
- 3) 48" - Conseal CS-102 1.00"
- 2) Hole - 12

FIRST POUR DRAWING

WEIGHT:
FIRST POUR - 4,515 LBS
SECOND POUR - 1,474 LBS
TOTAL - 5,989 LBS

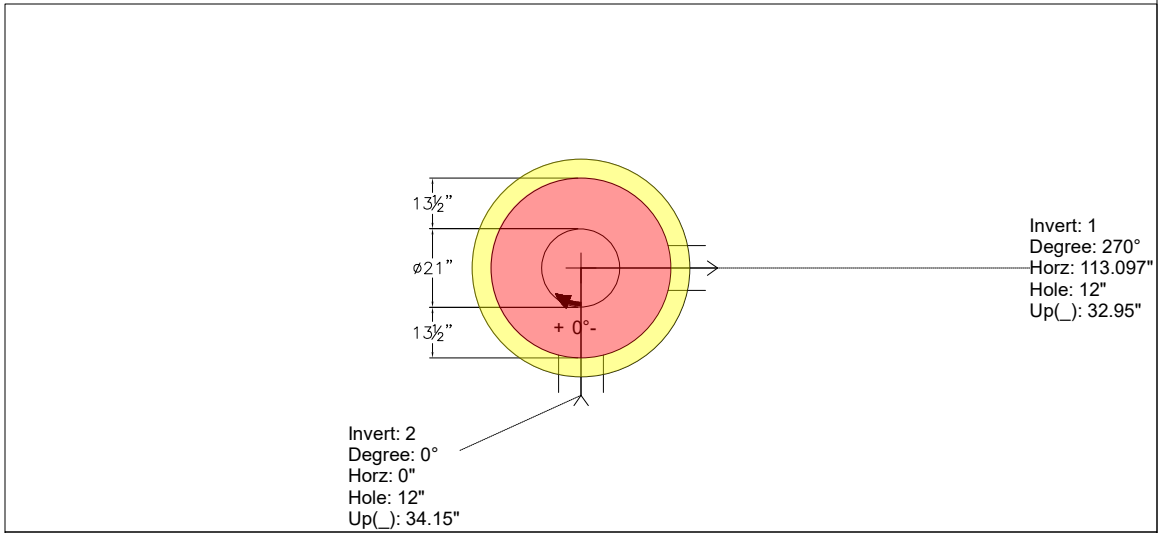
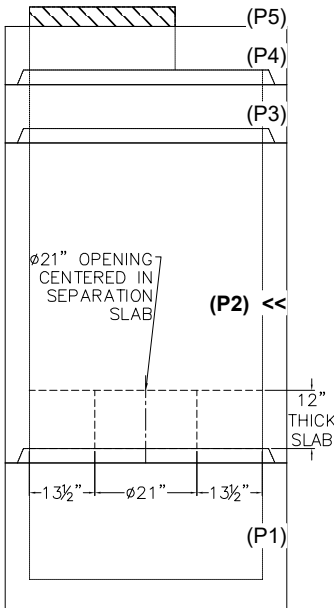
Structure Total: 11247 lb

Structure Notes:
 (4" Tall Casting By Others)
 Lifting Hooks To Be Installed
 On The Outside Of The Structure
 Contech's Logo As Well As
 The Inlets And Outlet Must Be
 Stenciled Onto The Structure
 ICAST To Install The Internals

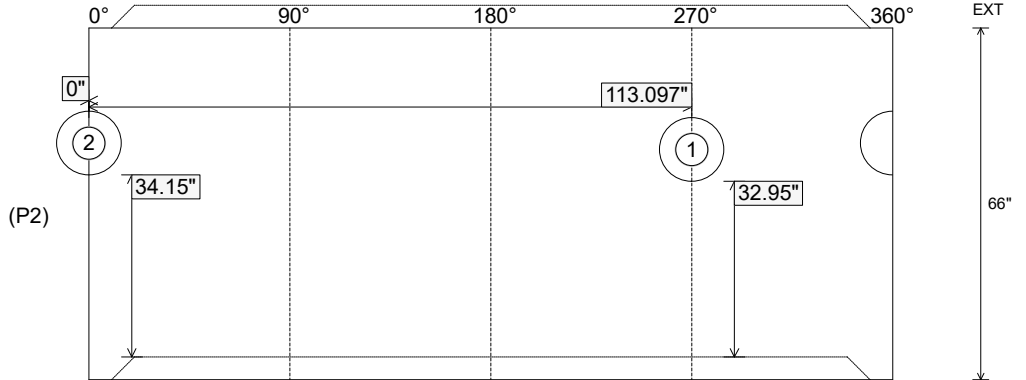
Rim: 449' Rim to Invert: 4.55' Slack: 0.8" Sump: 64.2" Step Position:

Position	Elev	Angle	Ext. (cw)	Pipe	Pipe OD	Connector	Hole	Horz Size	Up ()	Offset
Invert 1	444.45'	270°	136.659"	6" PVC SDR35	6.25"	Hole 12	12"	12.129"	32.95"	0"
Invert 2	444.55'	0°	0"	6" PVC SDR35	6.25"	Hole 12	12"	12.129"	34.15"	0"
Invert 3										
Invert 4										
Invert 5										
Invert 6										
Invert 7										
Invert 8										

RIGHT-SIDE UP VIEW (int. dimensions)



INSIDE WALL DIMENSIONS



Coating (Int): Coating (Ext):	Seam Up: Tongue Seam Dn: Groove	Wall Thickness: 5" Floor Height: 0"	Height (Int): 66" Height (Ext): 66"	Weight (Net): 4515 lb Volume (Net): 1.15cu.yd
----------------------------------	------------------------------------	--	--	--

Job Name: 25-4514 - 828940 Towneplace Suites
 Job Location: Shepherdsville, KY
 Contractor: Contech Engineering Solutions

Plant: Beaver Dam

12/1/2025 8:35:05 AM

Tech: J. Coppage

PC: T. Sekula



Structure ID: 10-CDS2015-4-C

P2 MH048RS66S

MH RISER SPECIAL

- P5) 30" - CASTING HEIGHT - 4"
- P4) 48" - MH FLAT LID w/30in ECC Hole - 12"
- P3) 48" - MH RISER SPECIAL - 12"
- P2) 48" - MH RISER SPECIAL - 66"
- P1) 48" - MH BASE - 24"
- 1) PSASSEMBLY
- 1) CVSTENCILING
- 1) SEPARATION SLAB - *
- 3) 48" - Conseal CS-102 1.00"
- 2) Hole - 12

SECOND POUR DRAWING

WEIGHT:
FIRST POUR - 4,515 LBS
SECOND POUR - 1,474 LBS
TOTAL - 5,989 LBS

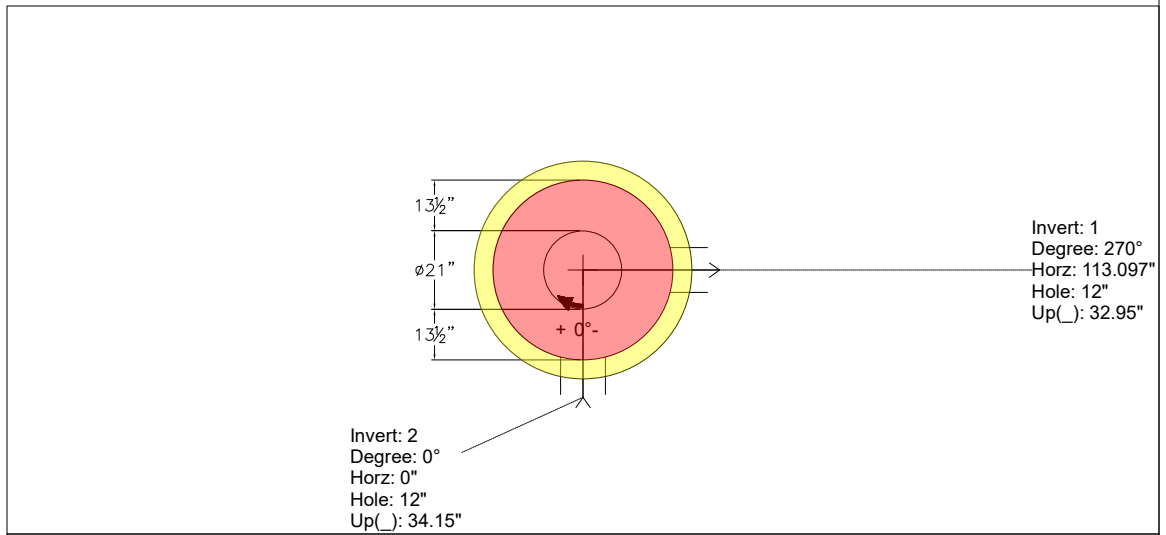
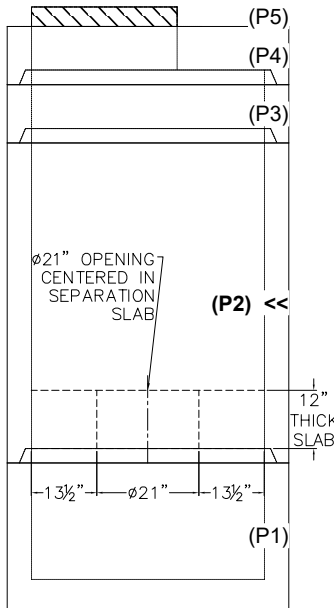
Structure Total: 11247 lb

Structure Notes:
 (4" Tall Casting By Others)
 Lifting Hooks To Be Installed
 On The Outside Of The Structure
 Contech's Logo As Well As
 The Inlets And Outlet Must Be
 Stenciled Onto The Structure
 ICAST To Install The Internals

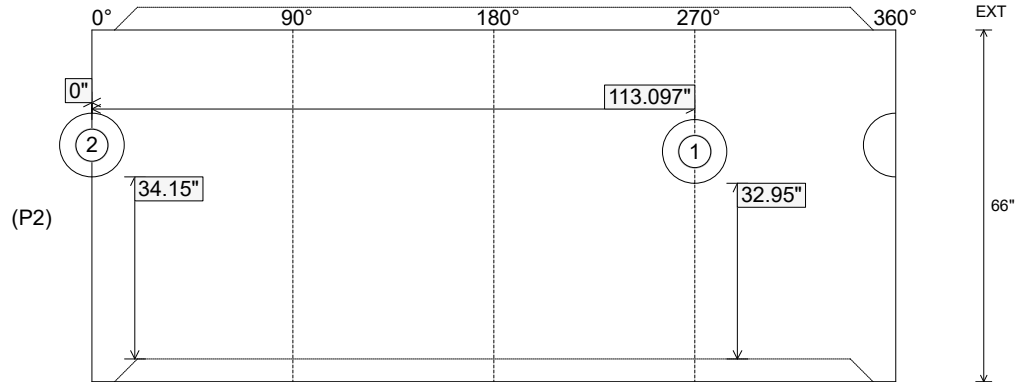
Rim: 449' Rim to Invert: 4.55' Slack: 0.8" Sump: 64.2" Step Position:

Position	Elev	Angle	Ext. (cw)	Pipe	Pipe OD	Connector	Hole	Horz Size	Up ()	Offset
Invert 1	444.45'	270°	136.659"	6" PVC SDR35	6.25"	Hole 12	12"	12.129"	32.95"	0"
Invert 2	444.55'	0°	0"	6" PVC SDR35	6.25"	Hole 12	12"	12.129"	34.15"	0"
Invert 3										
Invert 4										
Invert 5										
Invert 6										
Invert 7										
Invert 8										

RIGHT-SIDE UP VIEW (int. dimensions)



INSIDE WALL DIMENSIONS



Coating (Int): Coating (Ext):	Seam Up: Tongue Seam Dn: Groove	Wall Thickness: 5" Floor Height: 0"	Height (Int): 66" Height (Ext): 66"	Weight (Net): 4515 lb Volume (Net): 1.15cu.yd
----------------------------------	------------------------------------	--	--	--