

Job Name: 25-4504 ADS FedEx Freight
Job Location: Bowling Green, KY
Contractor: ADS Advances Drainage Systems, Inc.

PC: C. Goff
 TECH: J. Coppage
 Plant: Beaver Dam



Structure ID: **S8 (2)**
 Spec: Storm-Pipe Centered
 Type: STM.MH
 Size: 96"

Rim: 526.89'
 Invert: 522.56'
 Rim to Invert: 4.33'

Sump: 134"
 Floor (Top): 511.393'
 Floor Height: 13"

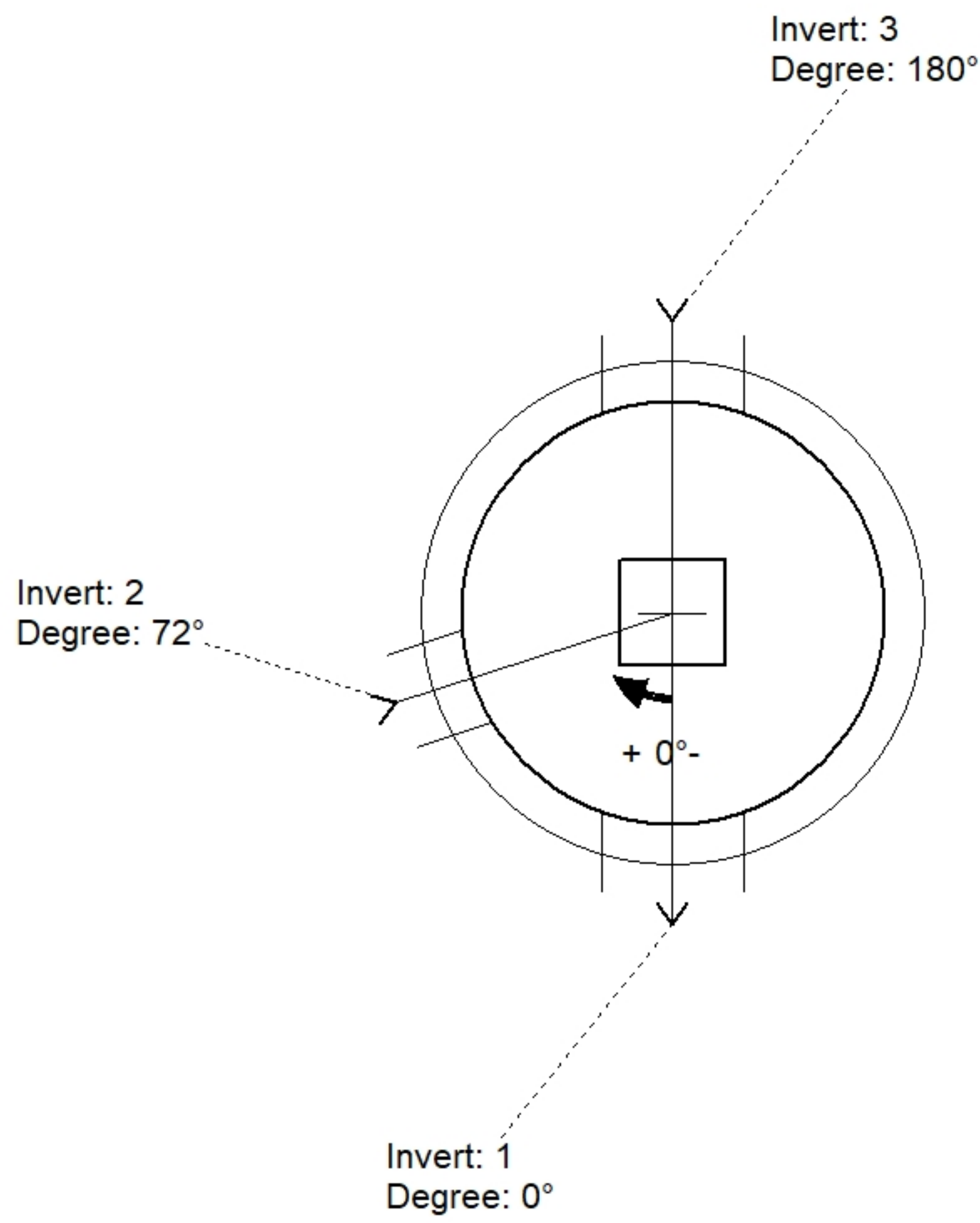
Floor (Bot): 510.31'
 Overall Height: 16.417'
 Slack: 1.96"

Structure Notes:

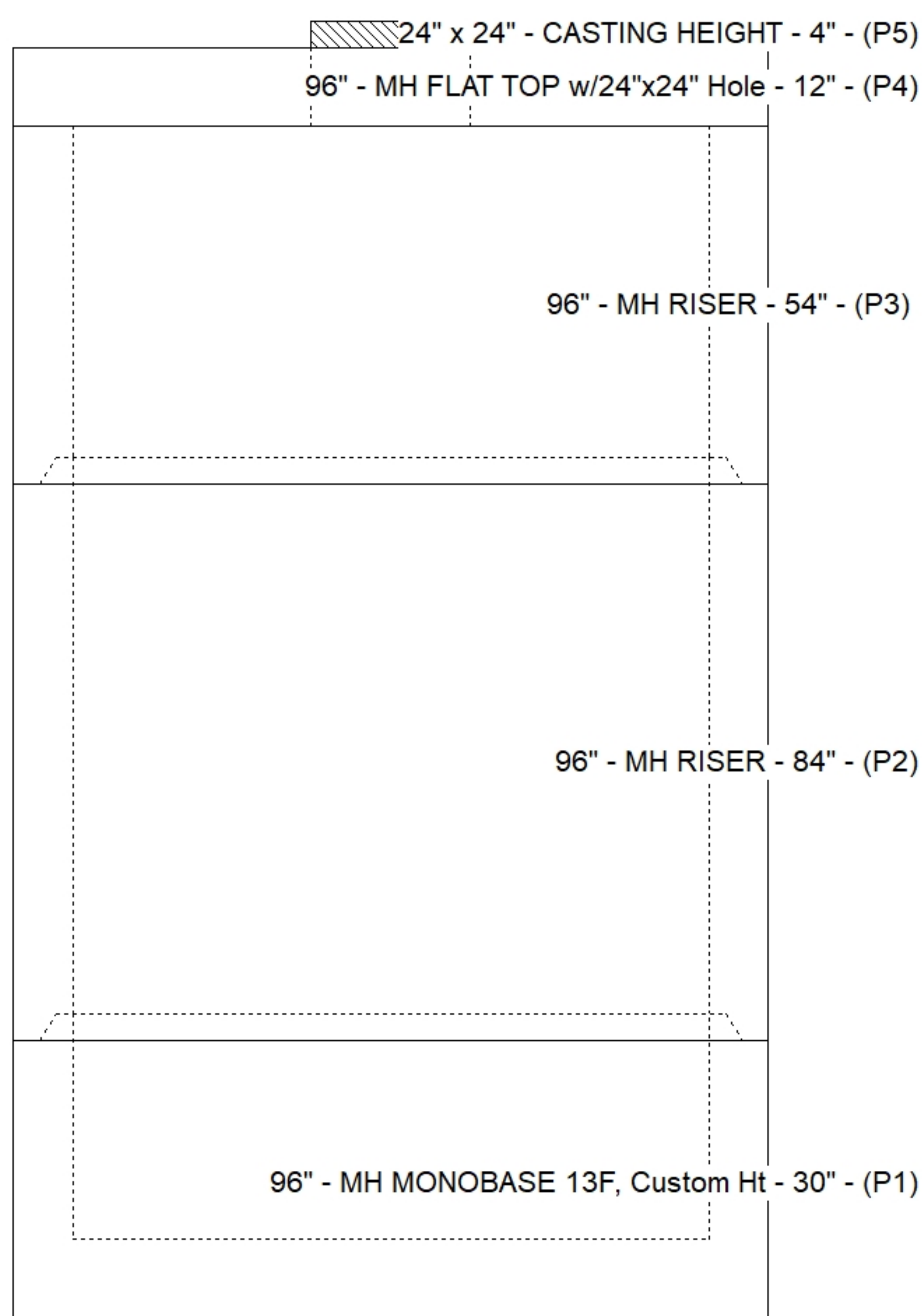
1. JR HOE HOE-280T PROVIDED BY ICAST.
2. PER ASTM C478 SPECIFICATIONS.
3. CONCRETE = 4,000 PSI AT 28 DAYS.
4. REINFORCING PER ASTM A615 (GRADE 60).
 - TOP SLAB (As .31) #5 BARS AT 6" C.C.E.W.
 - RISER/WALLS (As .18)
 - FLOOR TOP AND BOTTOM MAT (As .47) #5 BARS AT 8" C.C.E.W.

STRUCTURE SUMMARY:

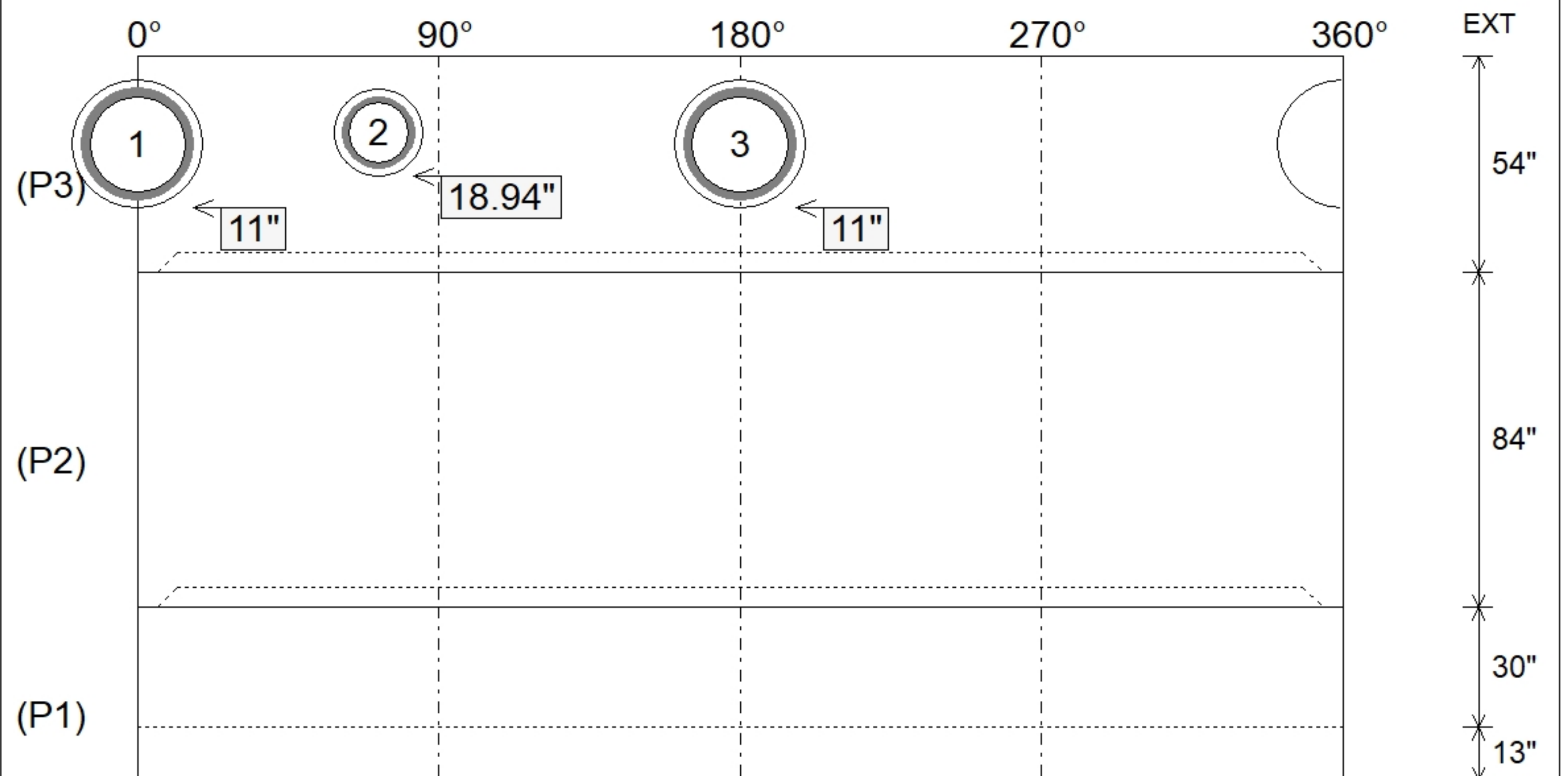
P5) 24" x 24" - CASTING HEIGHT - 4"	0 lb
P4) 96" - MH FLAT TOP w/24"x24" Hole - 12"	9698 lb
P3) 96" - MH RISER - 54"	11928 lb
P2) 96" - MH RISER - 84"	20926 lb
P1) 96" - MH MONOBASE 13F, Custom Ht - 30"	18608 lb
1) ASSEMBLY REQUIRED	0 lb
3) 96" - Conseal CS-102 1.00"	0 lb
1) 24" x 24" - Conseal CS-102 1.00"	0 lb
2) Hole - 32	0 lb
1) Hole - 22	0 lb
Structure Total:	61160 lb



Position	Elev	Angle	Pipe	Pipe OD	Hole	Connector	Up (")	Ref
Rim	526.89'							
Reducer								
Invert 1	522.56'	0°	24" ADS N-12	28"	32"	Hole 32	11"	P3
Invert 2	523.18'	72°	15" ADS N-12	18"	22"	Hole 22	18.94"	P3
Invert 3	522.56'	180°	24" ADS N-12	28"	32"	Hole 32	11"	P3
Invert 4								
Invert 5								
Invert 6								
Invert 7								
Invert 8								



Default - Interior Dimensions



Submittal Drawing
 12/5/2025 2:12:33 PM

SUBMITTAL
 APPROVED BY: